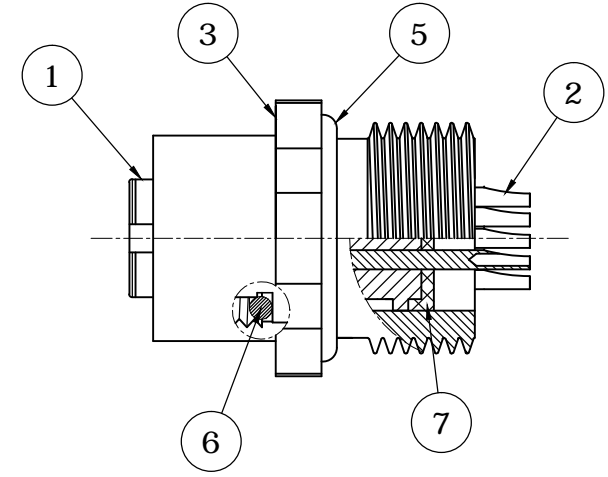
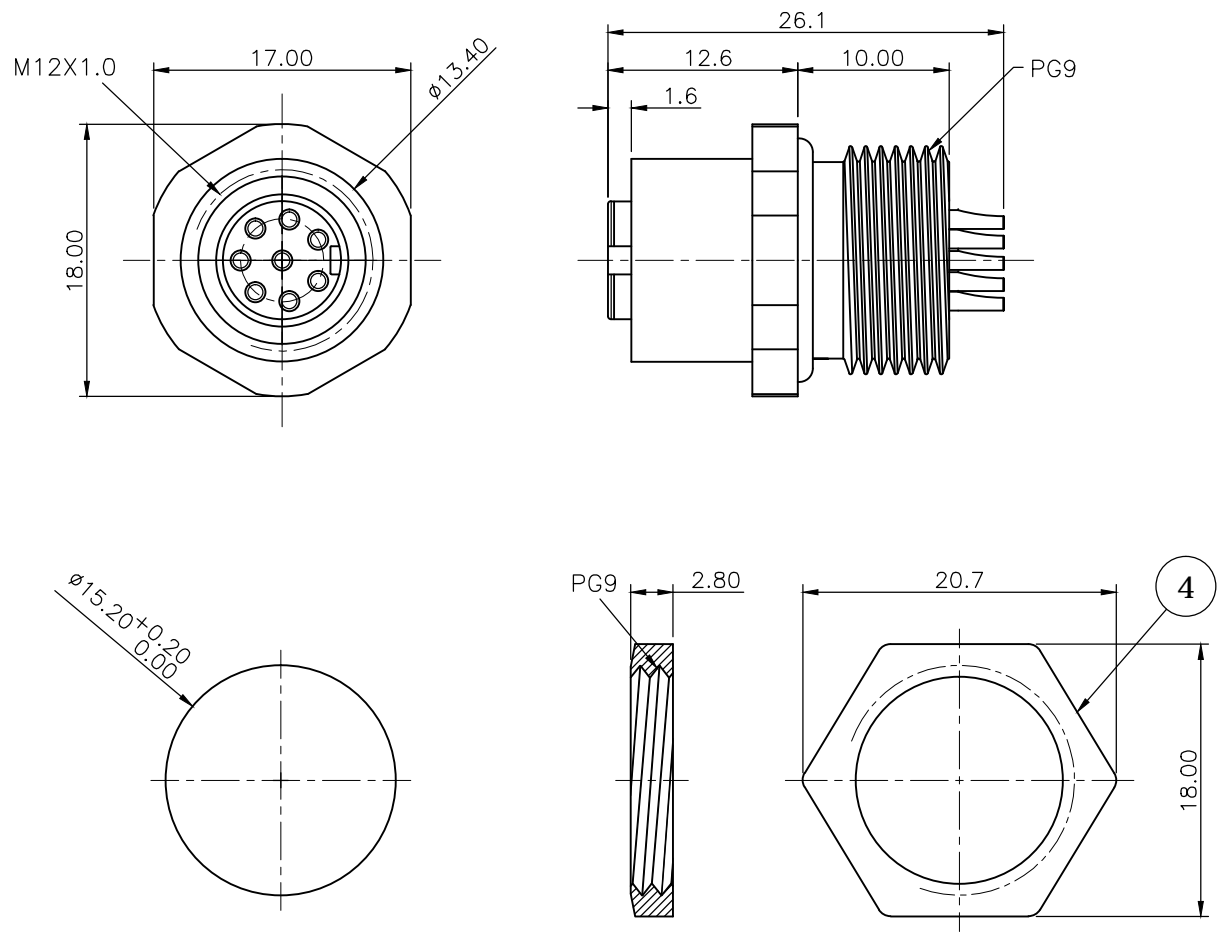



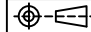
REV.	DESCRIPTION	DRAWN	DATE
1	INITIAL RELEASE	TIM	2018/04/13

SPECIFICATION:

- 1. ELECTRICAL
- 1.1 Current Rating: 5A
- 1.2 Voltage Rating: 125V
- 1.3 Water Proof: IP67
- 1.4 Operating Temperature: -40°C~+85°C



7	EPOXY BASE	
6	O-RING B	EPDM, Black
5	O-RING A	NBR, Black
4	NUT	Copper Alloy
3	SHELL	Copper Alloy, Nickel plating
2	CONTACT	Copper Alloy, 10u" Gold plating over Nickel
1	HOUSING	Thermoplastic, UL94V-0, Black

NO.		PART NAME		DESCRIPTION	
UNLESS OTHERWISE SPECIFIED TOLERANCE					
UNIT:	DECIMAL	LINEAR	ANGLES		
	X.	±0.50	±5°		
	X.X	±0.25	±3°		
	X.XX	±0.12	±1°		
 WWW.ATTEND.COM.TW					
DRAWN	Tim	2018/04/13	DRAWN NAME:		
CHECKED	Fros	2018/04/13	M12 A-Code Receptacle, 8Pin Female Solder Type Rear Fastened		
APPROVED	Ken	2018/04/13	PRODUCT NO. 216A-08FAR		
	SCALE	SHEET	SIZE	FILE NAME	
	2/1	1/1	A4	216A-08FAR_B_1	