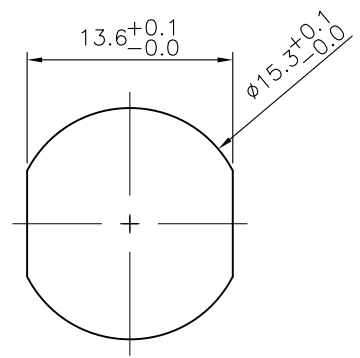
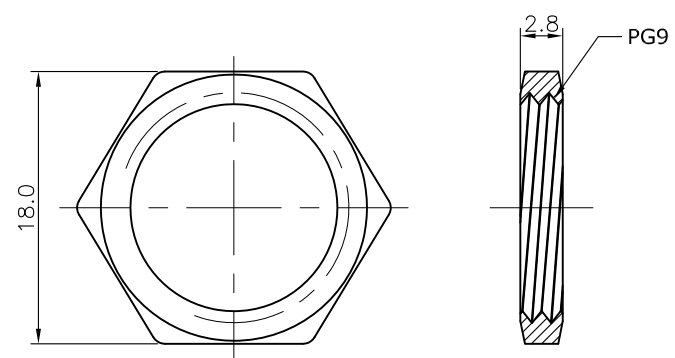
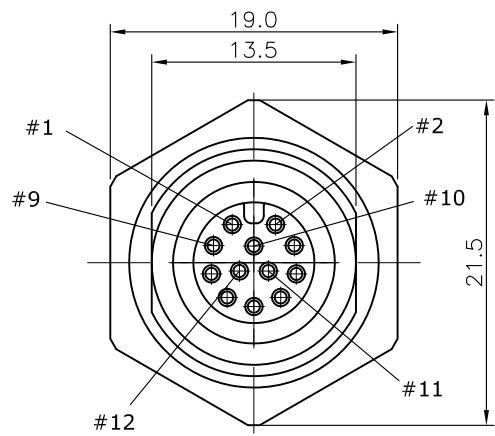
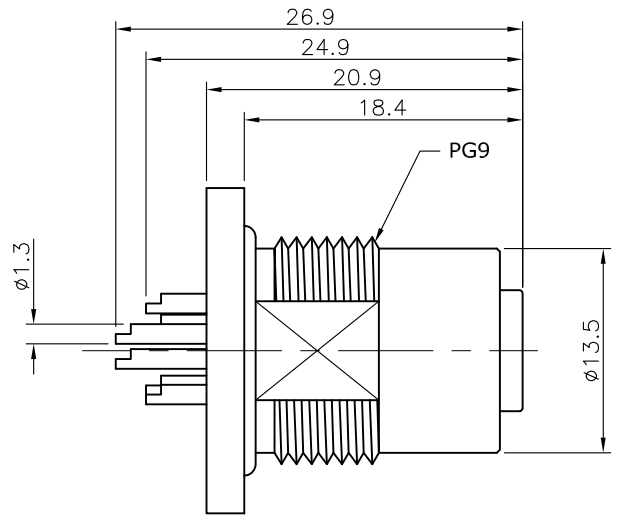


REV.	DESCRIPTION	DRAWN	DATE
1	INITIAL RELEASE	Fros	2018/04/18

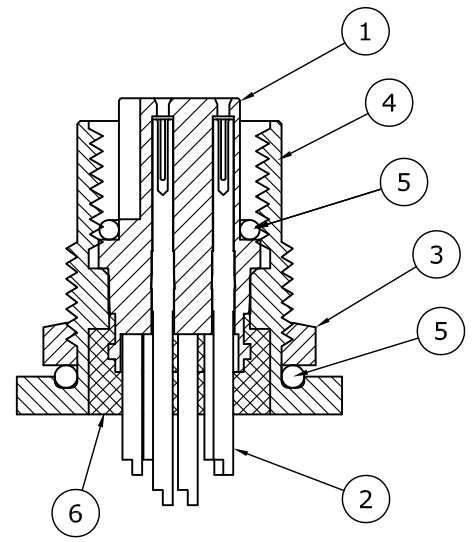
**SPECIFICATION:**

1. CURRENT RATING: 1A
2. VOLTAGE: 30V
3. WATER PROOF: IPX7
4. OPERATION TEMPERATURE: -40°C TO +85°C




**NUT**

**PANEL CUT OUT**



6	GLUE	EPOXY
5	O-RING	EPDM
4	SHELL	BRASS, NICKEL PLATED
3	NUT	BRASS, NICKEL PLATED
2	CONTACT	BRASS, 10u" GOLD PLATED UNDER NICKEL
1	HOUSING	PBT, UL94V-0, BLACK
NO	PART NAME	DESCRIPTION

UNLESS OTHERWISE SPECIFIED TOLERANCE					
UNIT:	DECIMAL	LINEAR	ANGLES		
mm	X.	±0.50	±5°	WWW.ATTEND.COM.TW	
	X.X	±0.25	±3°		
	X.XX	±0.12	±1°		
DRAWN	Fros	2018/04/18	DRAWN NAME:		
CHECKED	Tim	2018/04/18	M12 A- Code Receptacle, 12 Pin		
APPROVED	Ken	2018/04/18	Female Straight Solder Type Front Fastened		
SCALE	SHEET	SIZE	PRODUCT NO.	FILE NAME	
2/1	1/1	A4	216A-12FAF	216A-12FAF_B_1	