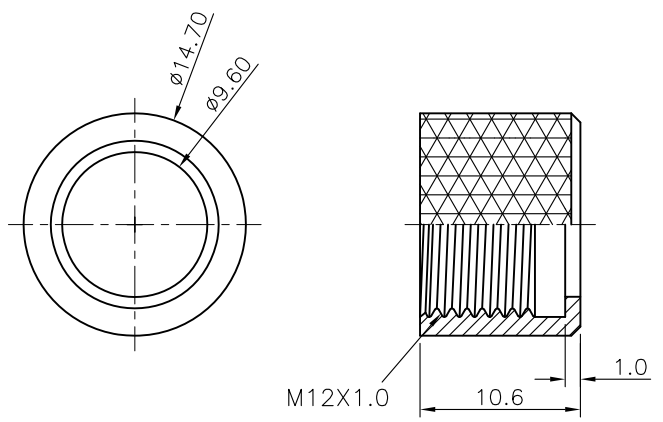
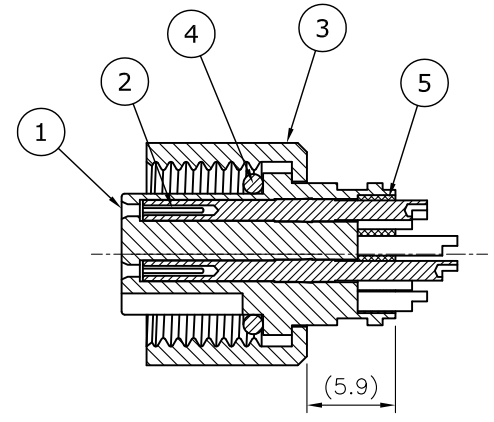
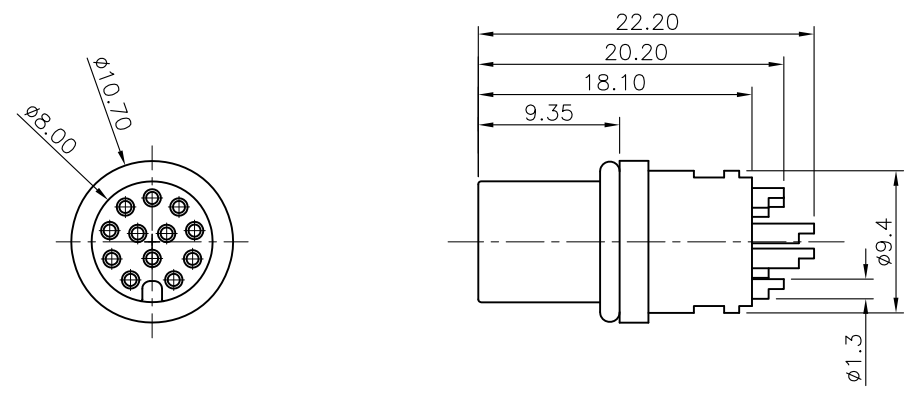


REV.	DESCRIPTION	DRAWN	DATE
1	INITIAL RELEASE	TIM	2018/04/13


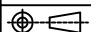
SPECIFICATION:

1. CURRENT RATING: 1A
2. VOLTAGE: 30V
3. WATER PROOF: IPX7
4. OPERATION TEMPERATURE: -40°C TO +85°C



NUT

5	EPOXY	BLACK
4	O-RING	EPDM, BLACK
3	NUT	BRASS, NICKEL PLATED
2	CONTACT	BRASS, 10u" GOLD PLATED UNDER NICKEL
1	HOUSING	PBT, UL94V-0, BLACK
NO	PART NAME	DESCRIPTION

UNLESS OTHERWISE SPECIFIED TOLERANCE					
UNIT:	DECIMAL	LINEAR	ANGLES		
mm	X.	±0.50	±5°	WWW.ATTEND.COM.TW	
	X.X	±0.25	±3°		
	X.XX	±0.12	±1°		
DRAWN	Tim	2018/04/13	DRAWN NAME:		
CHECKED	Fros	2018/04/13	M12 A- Code Plug for Cable , 12Pin Female Overmold Solder Type 10u"		
APPROVED	Ken	2018/04/13	PRODUCT NO.	216A-12FO0-01	
	SCALE 2/1	SHEET 1/1	SIZE A4	FILE NAME	216A-12FO0-01_B_1