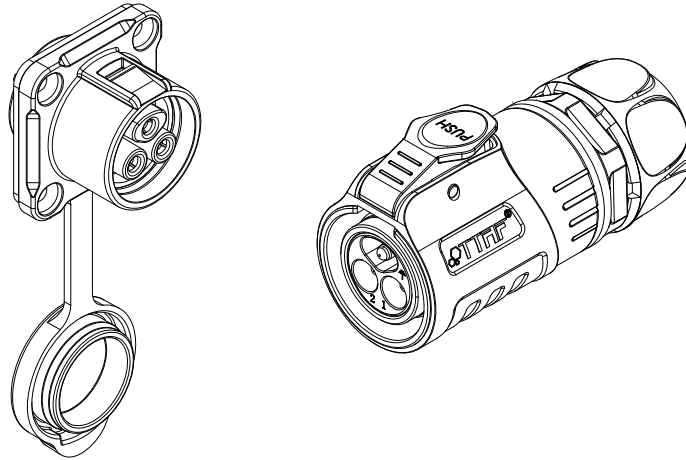


1 Material Designation: TT20 series waterproof connector



2 Materials Processes, Surface Treatment

2.1 Contact

Materials: Male Pin: Brass; Female Pin: Phosphor Bronze

Processes: Machining

Surface Treatment: Gold Plating for 4u" over nickel

2.2 Shell

Materials: PBT


Processers: Injection

2.3 Insulator

Materials: PBT

Processes: Injection

Color: Black

Date	03.09.2013	Rev.	-	Revision Detail		Rev.Dt.		Rev.by		Part No	TT20 Series Waterproof Connector		
Designed by	Zafer BÖLÜKBAŞI										Drawing Nr.	Scale	Sheet No
Checked by	Fatih BOLACA										TT-20180903001	NONE	1/7
													

PRODUCT CODE

Product series

Type of terminal

Connecting of Wire

Special code

M: male pin

0: solder

Material

F: female pin

Color

TT

20

M

03

PE

0

1

001

Mounting size


Quantity of terminal

Category

Generation

PE: Plug

SX: Socket

Date	20.05.2019	Rev.	Revision Detail		Rev.Dt.	Rev.by	Part No		
Designed by	Zafer BÖLÜKBAŞI	-					TT20 Series		
Checked by	Fatih BOLACA						Waterproof Connector		
							Drawing Nr.	Scale	Sheet No
							TT-20190503001	NONE	2/7

1

2

3

4

5

6

A

A

3.2 Packing and Storage:

The production are packed in plastic bag, The packing list must be set in every carton, which has been given clear information of material designation, part number, production order number、 packet quantity and total product quantity. The packaged production should be stored in the storeroom ,in which Environment Temperature is $-40^{\circ}\text{C} \sim +80^{\circ}\text{C}$,Relative humidity $\leq 85\%$,no acidic, alkaline and other corrosive gases.

B

B

3.3 Mating Type:

Mated with: TT20 connector(male)

3.4 Applicable Standards : TIA/EIA 568、 MIL、 IEC、 CNS Standards

3.5 Process Requirements:

3.5.1 According to form of terminal:

The form of terminal is welding, the welding must be firm and cannot have pseudo soldering

3.5.2 According to form of mounting:


Please see the mounting hole figure.

C

C

D

D

Date	03.09.2013	Rev.	-	Revision Detail		Rev.Dt.		Rev.by		Part No		
Designed by	Zafer BÖLÜKBAŞI									TT20 Series Waterproof Connector		
Checked by	Fatih BOLACA											
										Drawing Nr.	Scale	Sheet No
										TT-20180903001	NONE	3/7

1

2

3

4

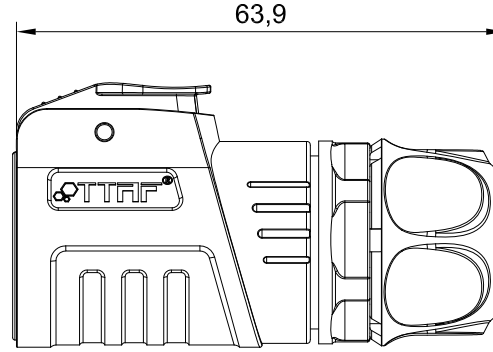
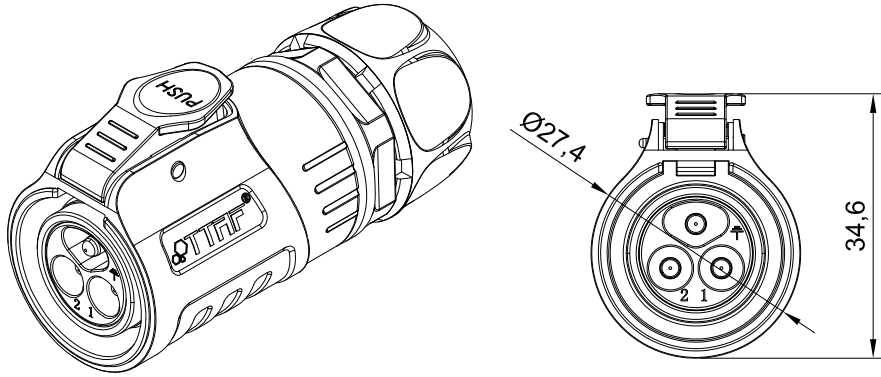
5

6

A4

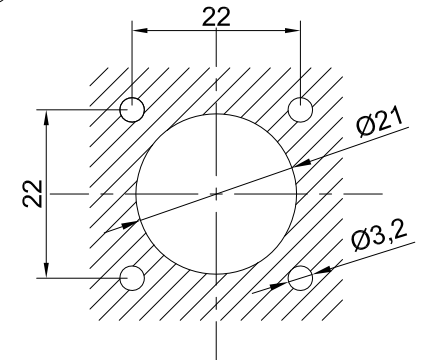
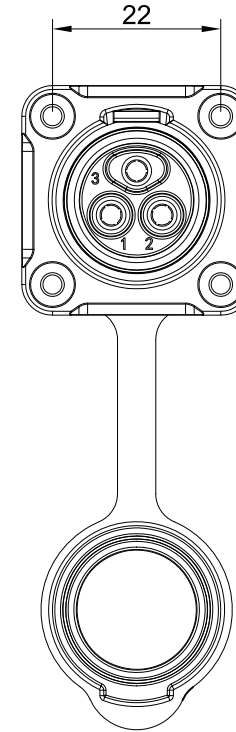
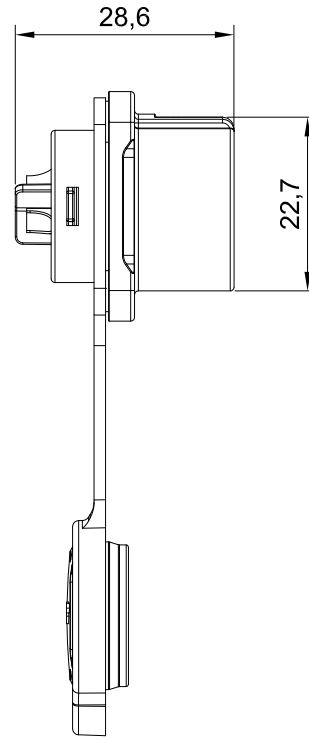
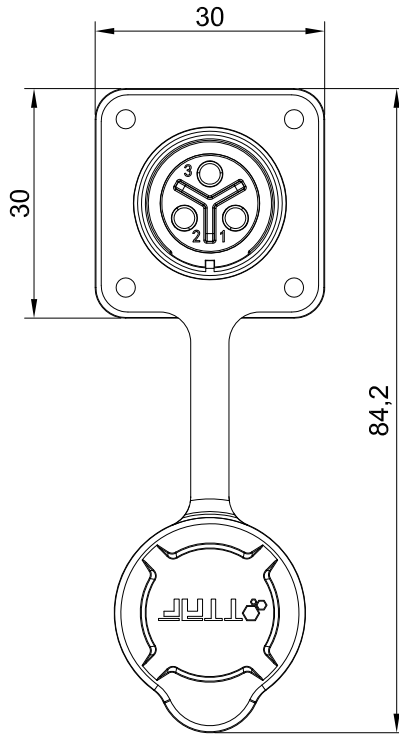
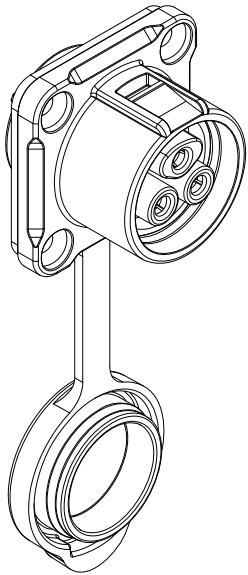
1 2 3 4 5 6

TT-20-C PE-XX-001 Plug



B

TT-20-C PP-XX-001 Socket





D

Date	03.09.2013	Rev.	-	Revision Detail		Rev.Dt.		Rev.by		Part No	TT20 Series Waterproof Connector		
Designed by	Zafer BÖLÜKBAŞI									Drawing Nr.	Scale	Sheet No	
Checked by	Fatih BOLACA									TT-20180903001	NONE	5/7	

Form No: FR-01/004 İY: 10/2003 Rev:06 09/01/2012

4 Product Characteristics Form:

Number of pins							
	TWO PINS	THREE PINS	FOUR PINS	FIVE PINS	SEVEN PINS	NINE PINS	TWELVE PINS
Rated current	20A			12A		5A	
Operating voltage	500V			500V		400V	
Withstanding voltage	2500V			2500V		1500V	
Contact resistance	< 1mΩ			< 2.5mΩ		< 5mΩ	
Temperature rise	20A 30°C ↓ 25A 40°C ↓ 30A 50°C ↓			12A 30°C ↓ 15A 40°C ↓ 20A 50°C ↓		5A 30°C ↓ 7A 40°C ↓ 10A 50°C ↓	
Contact dimension	φ2.7*2	φ2.7*3	φ2.7*4	φ1.8*5	φ1.8*7	φ1.0*9	φ1.0*12
Maint cycle	1700 Times						

Date	03.09.2013	Rev.	-	Revision Detail		Rev.Dt.		Rev.by		Part No	TT20 Series Waterproof Connector		
Designed by	Zafer BÖLÜKBAŞI									Drawing Nr.	Scale	Sheet No	
Checked by	Fatih BOLACA									TT-20180903001	NONE	6/7	
