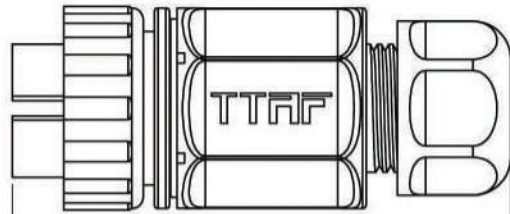
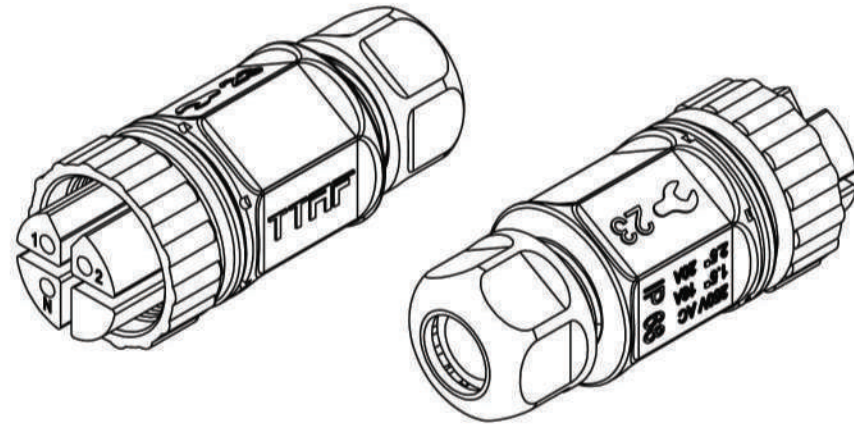
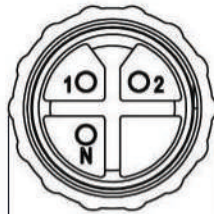


TOL. UNLESS SPECIAL SEE STANDARD TOLERANCE		Scale To Fit			
NOMINAL DIMENSION	0-30	30-100	100-200	200-400	400-1000
0	±0.1	±0.2	±0.3	±0.5	±1
0.0	±0.05	±0.05	±0.1	±0.2	±0.3
0.00	±0.01	±0.02	±0.05	±0.05	±0.1



±1
min.62 / max.66

the cable O.D. used varies in size



+0,2
27,50

Technical Specifications

Number of Poles	3
Voltage Rating	250VAC max.
Current Rating	25A max.
Cable Cross Section Area	0,5 ~2,5mm ²
Durability Voltage	3000VAC@60s.
Insulation Structure	500 MΩ at 500VDC
Contact Resistance	30 mΩ max.
Min Wire Size OD	6mm
Max Wire Size OD	10mm
Operating Temperature	-40°C ~ +85°C
IP Rating	IP68(10m / 60min.)
Mold Material	PA6
Contact/Terminal Material	Nickel-Plated Brass
Seal Material	Silicone

PIN NUMBER
02
03
04 VOLTAGE

WP F - 03 00 M 25

SERIES NAME	INPUT-OUTPUT NUMBER	CURRENT VALUE
PRODUCT NAME	00	20
I:FLAT CONNECTOR	02	25
T:T CONNEKTOR	03	35
F:FEMALE M:MALE		

Date	03.07.2018	Signature	Rev.	Revision Detail	Rev.Date	By	Drawing Description		
Drawn	Zafer BOLUKBASI		-		-	-	WPF-0300M25		
Checked	Dilek TUNCER								
Approved	Talat SAHIM								
							Drawing No	Scale	Sheet
							-	1:1	1/1