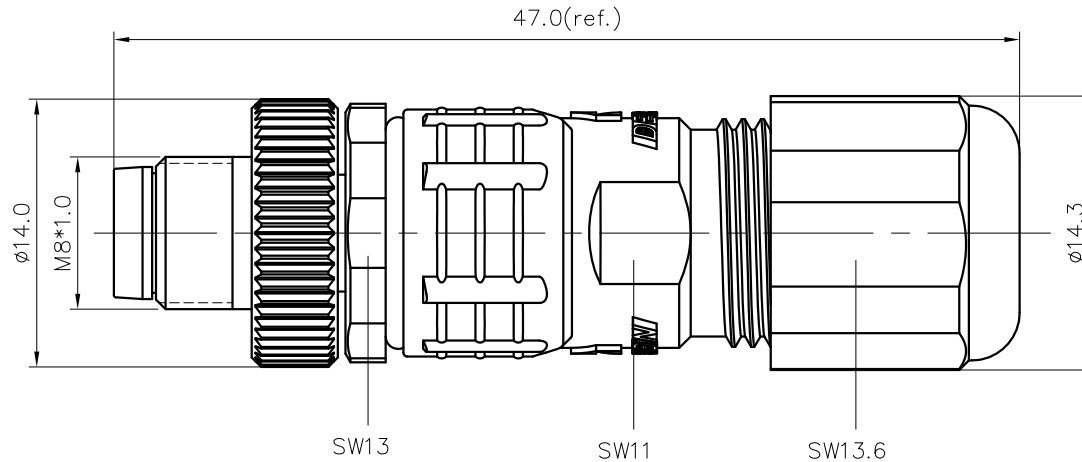
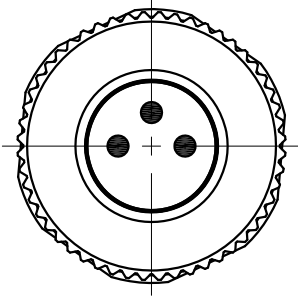


REVISION RECORD				
REV	ECN	DESCRIPTION	DRFT	DATE



NOTES:

- Rated voltage/current : 3pin: 60V / 3A
4pin: 60V / 3A
5pin: 30V / 3A
6pin: 30V / 1.5A
8pin: 30V / 1.5A
- Withstanding voltage : 3,4pin: AC850V/1Min
5,6,8pin: AC650V/1Min
- Levels of protection: IP67
- Wire range : 3pin: 24~22AWG/0.25~0.34mm²
4pin: 24~22AWG/0.25~0.34mm²
5pin: 24~22AWG/0.25~0.34mm²
6pin: 26~24AWG/0.14~0.25mm²
8pin: 26~24AWG/0.14~0.25mm²
- Cable range : 4~6mm
- Wire connection mode: soldering
- Operating temperature: -40°C~+85°C
- RoHS Compliance

6pin A Coding	8pin A Coding
Pin Assignment Front View	Pin Assignment Front View

PA-M8X-XXP-MM-SL7001-00A(H)

Coding: A,B

Pin number: 03,04,
05,06,08

3pin A Coding	4pin A Coding	5pin B Coding
Pin Assignment Front View	Pin Assignment Front View	Pin Assignment Front View

DETACHED LISTS	PART NO.: PAM8XXXPMMSL700100AH	宁波高松电子有限公司 NINGBO DEGSON ELECTRICAL CO., LTD		
	APPD:	NAME: PA-M8X-XXP-MM-SL7001-00A(H)		
	CHKD:	DRFT: LZ 2018.12.25		
	THIRD ANGLE PROJECTION		TITLE: CUSTOMER DRAWING	REV: D0-1
		DRAWING NO.: XXXXXXXX-XX-CXX	SHEET: 1/1	
		MM (INCH)	DO NOT SCALE DRAWING	SCALE: 1:1