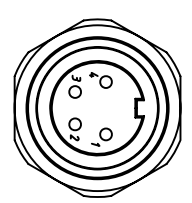
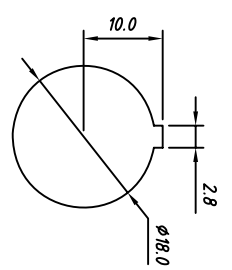
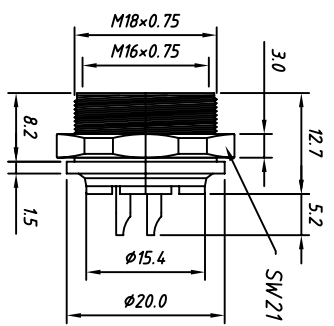
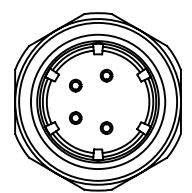


A	1		2			3	
	Female insert (mating shield)	Contact code	Rated Current	Rated Voltage	Withstand voltage	Insulation resistance	Contact resistance
		02	7	250	1500	1500	5
B		03	7	250	1500	1500	5
		04	7	250	1500	1500	5
		05	6	250	1500	1500	5
		06	5	250	1500	1500	5
		07	5	50	800	1000	5
		08	5	50	500	1000	5
E		12	5	50	500	1000	3
		14	5	50	500	1000	3
		16	5	50	500	1000	3
		19	5	50	500	1000	3
		24	5	50	500	1000	3
G	UNIT	A	V	V.A.C	MΩ	mΩ	mm



Front view



Back view

Order information

L-KLS15-253-J09-XX M4
 L: RoHS
 J09: C091 Miniature Circular Connector
 XX: Contacts Code
 M4: Soldering Connectors, Panel mount, Front lock, Female Pin

GENERAL TOLERANCE

X: ± 0.60
 .X: ± 0.38
 .XX: ± 0.25

ANGLE TOLERANCE

X: $\pm 5^\circ$
 .X: $\pm 3^\circ$
 .XX: $\pm 2^\circ$

Draw by:	PROJECTION	UNITS	mm
Check by:	SHEET SIZE	A4	
SCALE			

Description: Soldering Connectors, Panel mount, Front lock, Female, C091 Miniature Circular

KLS P/N: KLS15-253-J09-XXM4

KLS ELECTRONIC CO., LTD.

1	2	3	4	5	6	7	8
H	H	H	H	H	H	H	H