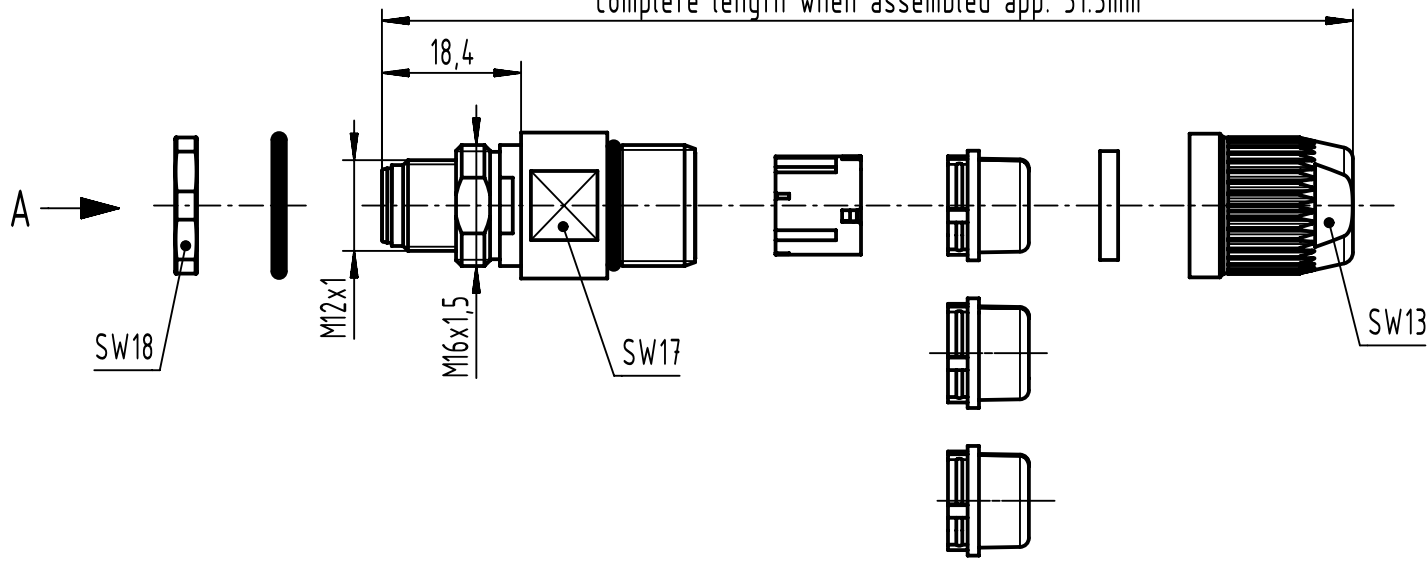
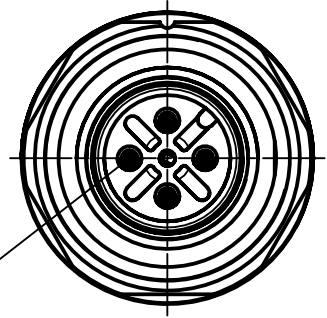


1 2 3 4 5 6

complete length when assembled app. 51.5mm

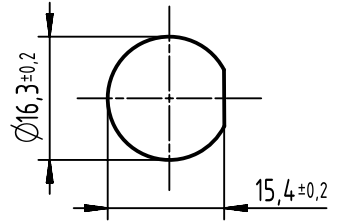


A (2:1)

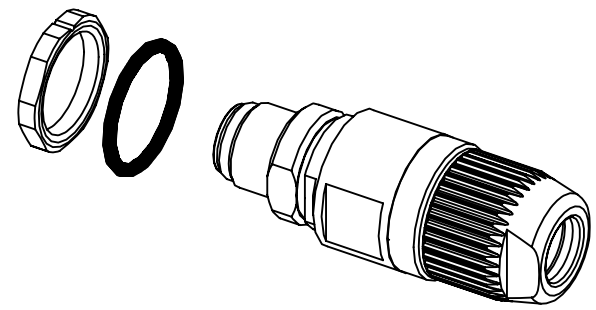


contact face acc. to IEC 61076-2-101

panel cut out (1:1)



cable Ø			conductor cross section
5.5-7.2mm	4.5-5.4mm	7.0-8.8mm	
sealing			0.14 - 0.34mm <sup>2</sup> AWG26-AWG22
black	transparent	beige	



	All Dimensions in mm Original Size DIN A4		Scale 1:1	Free size tol.	Ref.
	All rights reserved Department EL PD		Created by BUSSMANN	Inspected by HASSEBROCKS	Standardisation
HARTING D-32339 Espelkamp			Title M12-CC-IDC-4P-ACOD-M-STR-SHLD		Date 2022-09-16
			Type TB	Number 21033211425	State Final Release
					Doc-Key / ECM-Nr. 100182128/UGD/004/H 500000217565
					Rev. H Page 1/1