

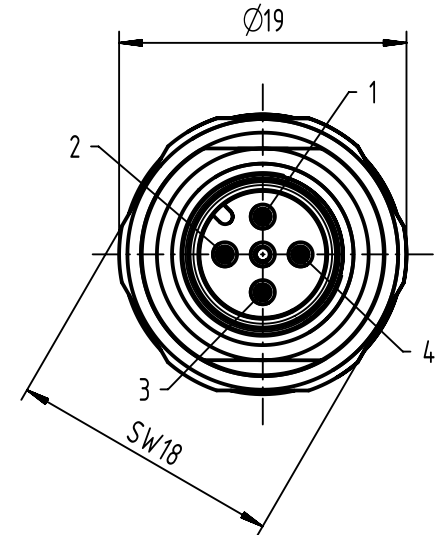
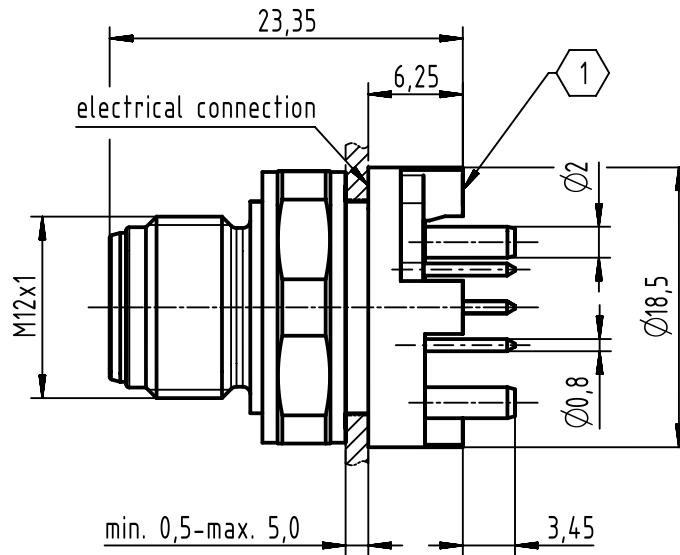
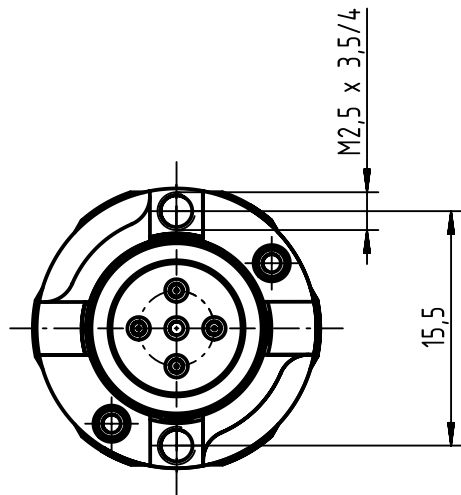
1 2 3 4 5 6

A

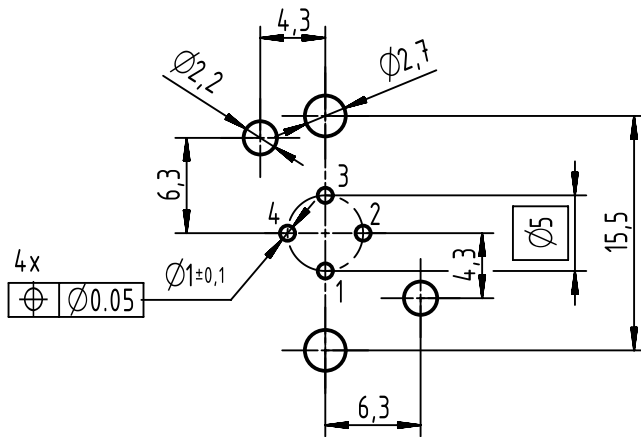
B

C

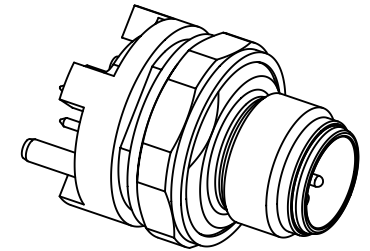
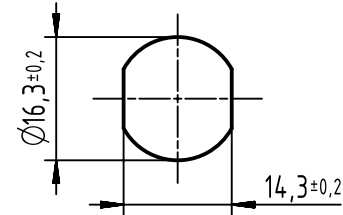
D



PCB layout



panel cut-out (1:1)



1 top surface PCB

recommended PCB-thickness: 1,6mm

	All rights reserved Department EL PD	All Dimensions in mm Original Size DIN A4	Scale 2:1	Free size tol.	Ref. Sub. TB 21 03 321 1410 / Mod. EC04624
	HARTING Electronics GmbH D-32339 Espelkamp	Created by 104122	Inspected by WELLMANN	Standardisation HOFFMANN	Date 2019-12-02
		Title HARTING M12 PFT A-cod 4-pole male straight IP20			Doc-Key / ECM-Nr. 100227066/UGD/003/C 500000157713
		Type TB	Number 21033211410		Rev. C Page 1/1