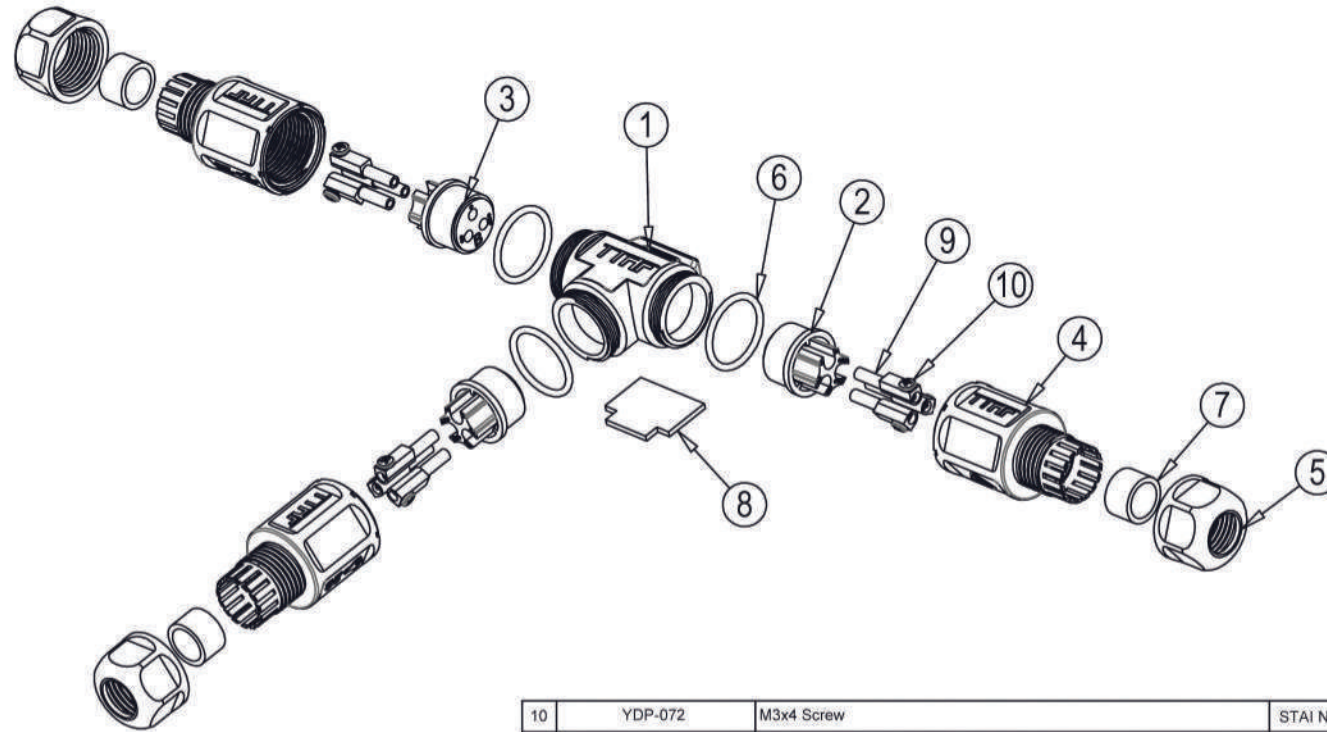


TOL. UNLESS SPECIAL SEE STANDARD TOLERANCE		Scale To Fit				
NOMINAL DIMENSION	0-30	30-100	100-200	200-400	400-1000	
0	±0.1	±0.2	±0.3	±0.5	±1	
0.0	±0.05	±0.05	±0.1	±0.2	±0.3	
0.00	±0.01	±0.02	±0.05	±0.05	±0.1	



PIN NUMBER  
02  
03  
04

VOLTAGE

WP T - 03 03 M 20

SERIES NAME

PRODUCT NAME  
I: FLAT CONNECTOR  
T: T CONNEKTOR  
F: FEMALE M: MALE

INPUT-OUTPUT  
NUMBER  
00  
02  
03

CURRENT  
VALUE  
20  
25  
35

Item	Stock Code	Part / Assembly Name	Material	Size (mm)	Qty	Unit
10	YDP-072	M3x4 Screw	STAINLESS	-	9	pcs.
9	YDP-002	Pin - Nickel Plated	BRASS	-	9	pcs.
8	LD-PF416-1503-V1	T Pcb	FR4	-	1	pc.
7	YDP-004	Seal - Black	EPDM	-	3	pcs.
6	YDP-003	O-ring - Red	SILICON	-	3	pcs.
5	YDP-011	Cable Gland Nut	PA6	-	3	pcs.
4	YDP-087	Cable Gland	PA6	-	3	pcs.
3	YDP-085	Pin Core / B	PA6	-	2	pcs.
2	YDP-084	Pin Core / A	PA6	-	1	pc.
1	E-GRA-00015	Body Molding	PA6	-	1	pc.

Date	30.01.2018	Signature	Rev.	Revision Detail	Rev. Date	By	Drawing Description
Drawn	Zafer BOLUKBASI		-		-	-	WPT-0303M20 Exploded View
Checked	Dilek TUNCER						
Approved	Talat SAHIM						

Drawing No	Scale	Sheet
-	1:2	1/13

