

A

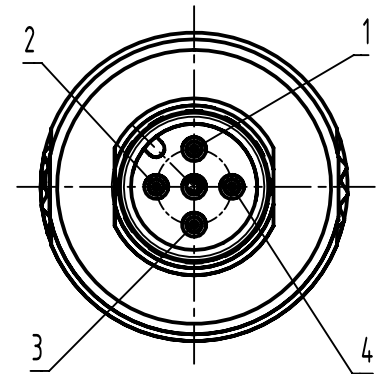
B

C

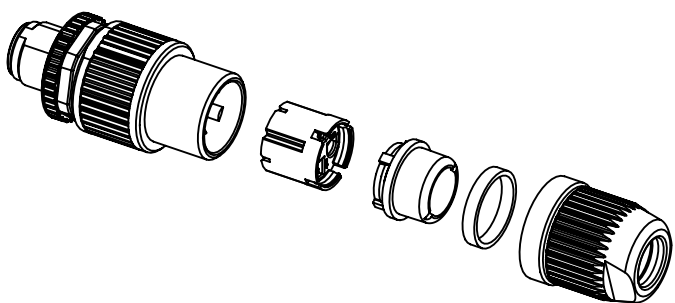
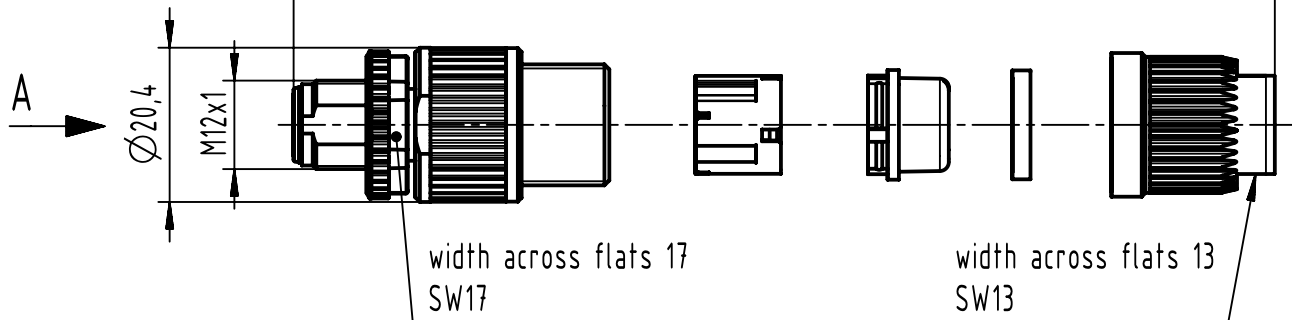
D

contact face based on  
IEC 61076-2-101

A (2:1)



complete length when assembled app. 52mm



cable outside diameter	conductor cross section
7,0mm - 8,8mm	AWG22 - AWG18 0,34mm <sup>2</sup> - 0,75mm <sup>2</sup>

	All Dimensions in mm Original Size DIN A4	Scale 1:1	Free size tol.	Ref. Sub.	
	All rights reserved Department EL PD	Created by BUSSMANN	Inspected by 104.122	Standardisation	Date 2022-09-07
HARTING D-32339 Espelkamp	Title M12-L-CC-IDC-4P-ACOD-M-STR			Doc-Key / ECM-Nr. 100190991/UGD/002/H 500000224613	
		Type TB	Number 21032121407	Rev. H	Page 1/1