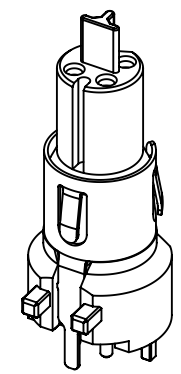
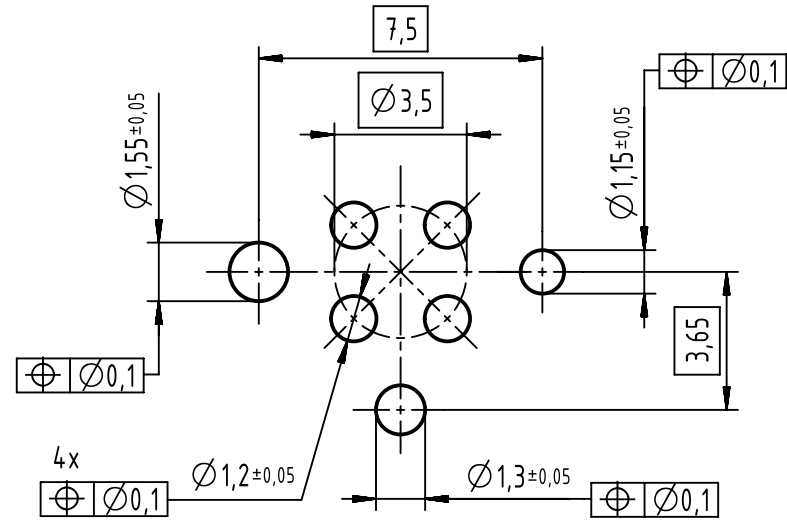
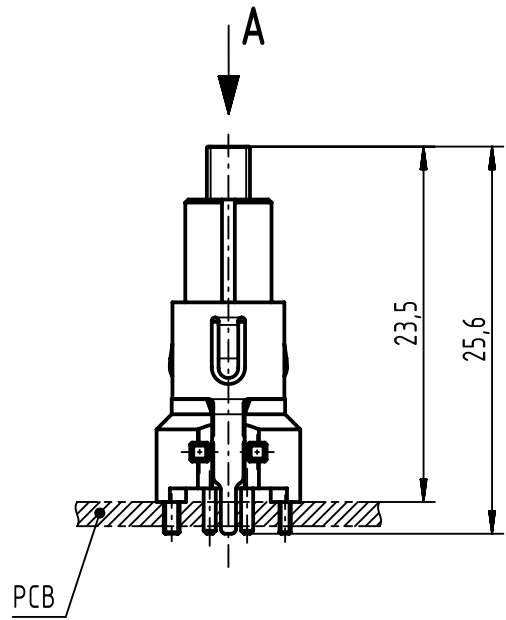
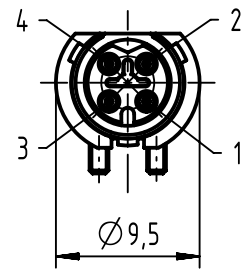


PCB-layout A (5:1)



contact face acc. to
IEC 61076-2-114



- recommended PCB: 1.6mm
- 25 pieces per package

	All rights reserved Department EL PD	All Dimensions in mm Original Size DIN A4		Scale 2:1	Free size tol.	Ref.
		HARTING Electronics GmbH D-32339 Espelkamp	Created by HASSE	Inspected by HAEMMERLING	Standardisation KOHLER	Date 2020-02-07
				Title M8-PP-PCB-THR-2PC-4P-PCOD-F-STR		Doc-Key / ECM-Nr. 100766445/UGD/002/B 500000166241
				Type TB	Number 21023412419	Rev. B
						Page 1/1