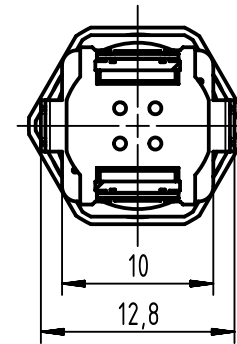
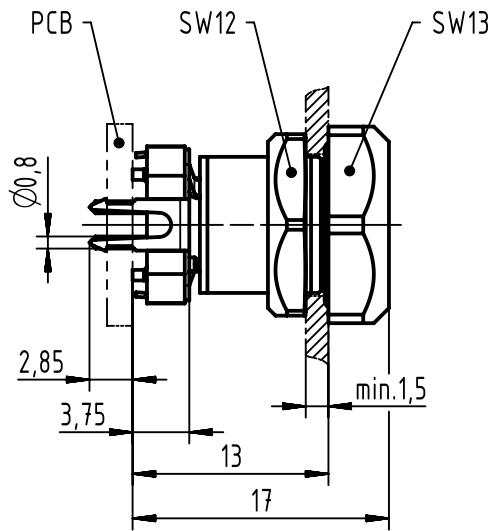
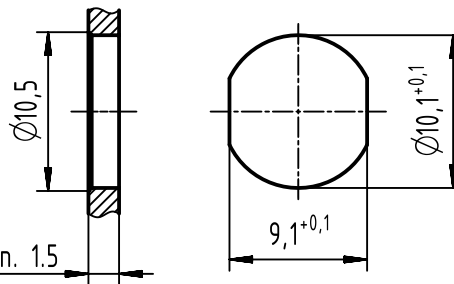


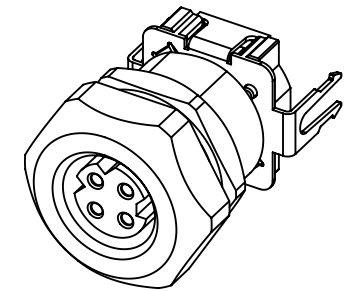
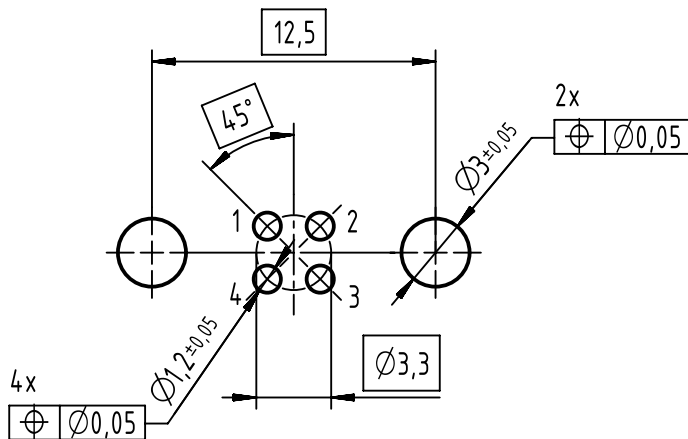
contact face acc. to IEC 61076-2-114



panel cut out (for M10x1)



PCB layout (3:1)



-1 pcs. package

recommended PCB thickness: 1.6mm

	All rights reserved Department EL PD	HARTING Electronics GmbH D-32339 Espelkamp	All Dimensions in mm Original Size DIN A4	Scale 2:1	Free size tol.	Ref. Sub.	Date 2018-11-08	State Final Release	Doc-Key / ECM-Nr. 100719521/UGD/000/C 500000143076
	Created by GRUBES Inspected by HARLASS Standardisation HOFFMANN			Title M8-PCB-THT-2PC-4P-DCOD-F-STR-SHLD		Type TB		Number 21420000005	
Rev. C									Page 1/1