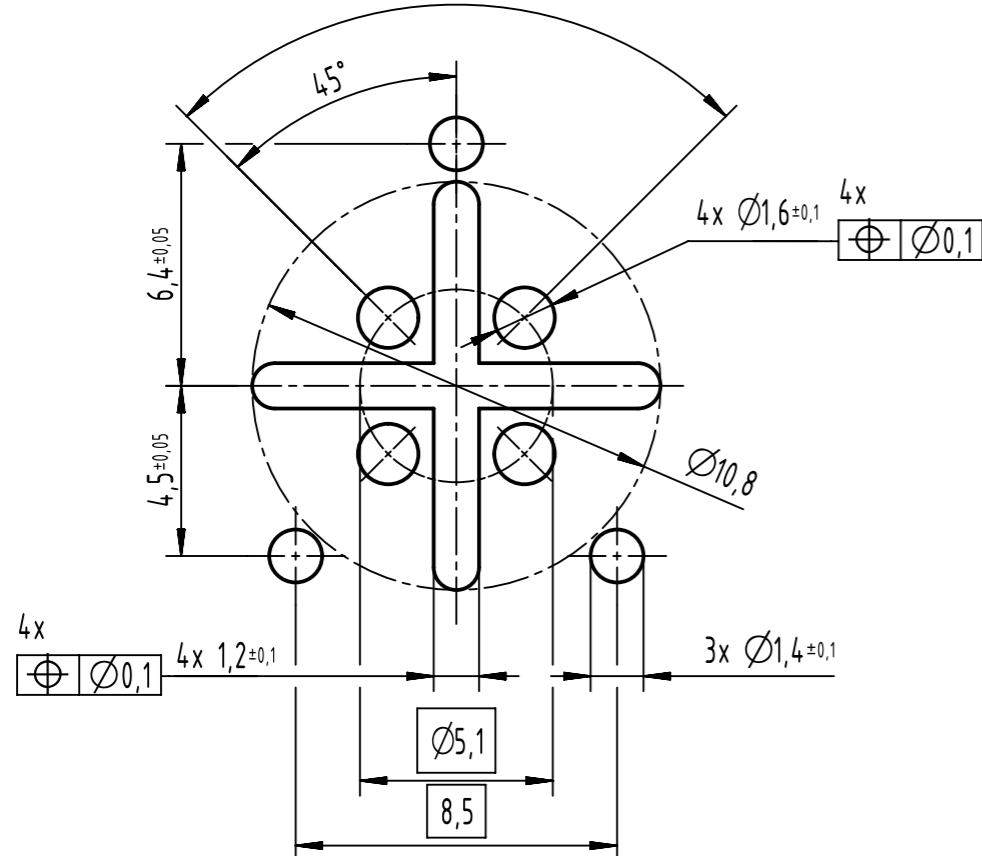
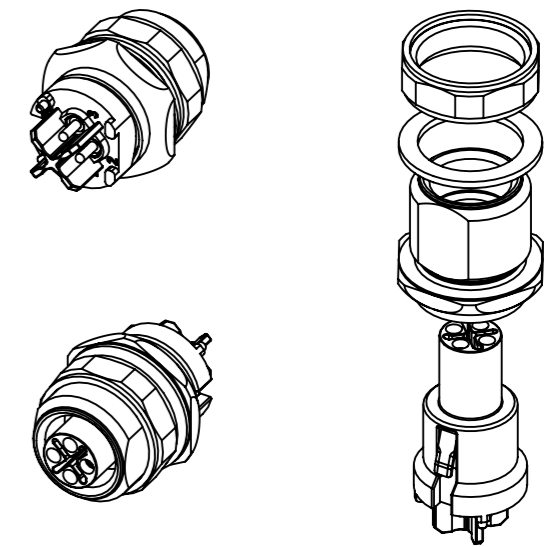
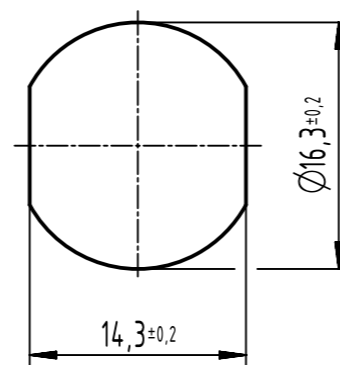


recommended PCB-layout  
(5:1)  
4x 90°

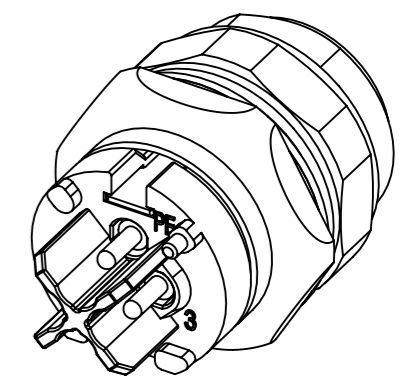
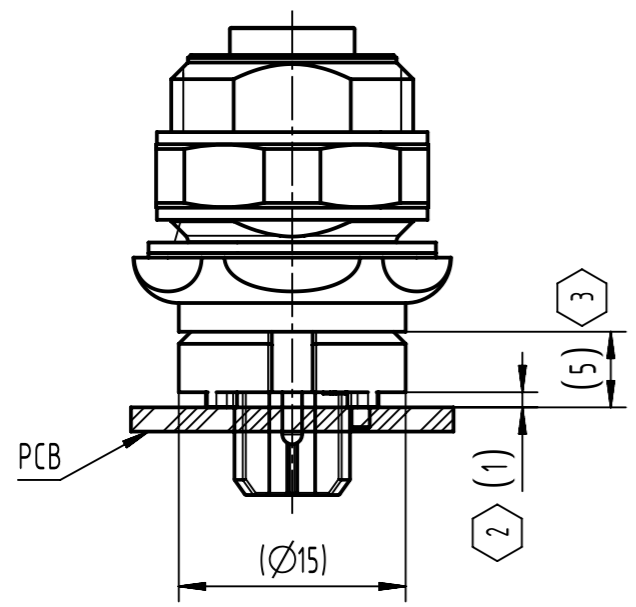
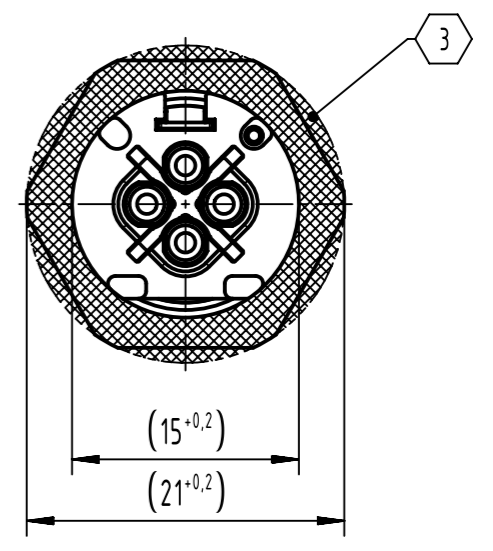
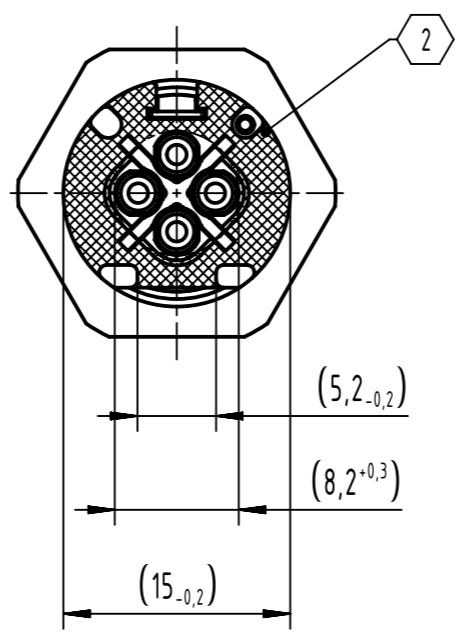
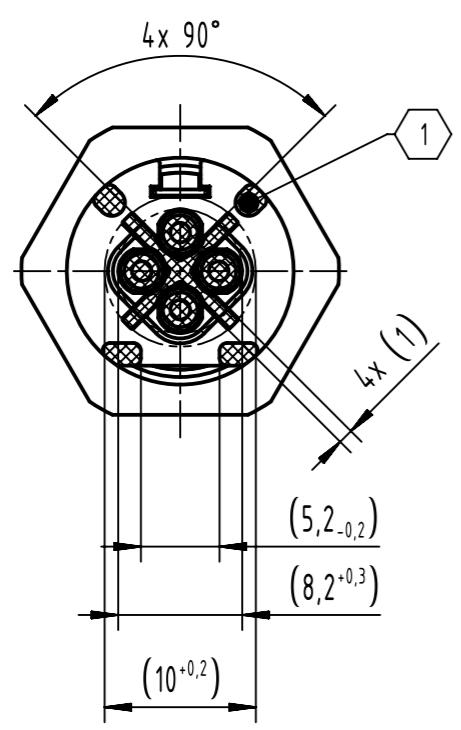


panel cut out



- recommended PCB: 1.6mm
- recommended torque for the lock nut: 2.0Nm
- 1 pcs. single package

	All Dimensions in mm Original Size DIN A3		Scale 2:1	Free size tol.		Ref.
	All rights reserved Department EL PD		Created by SERBANA	Inspected by STOICA	Standardisation RUETERA	Date 2023-07-10
HARTING D-32339 Espelkamp		Title <b>M12-PCB-THR-2PC-4P-SCOD-F-STR-SHLD</b>			State Final Release	
		Type TB	Number 21033092430		Doc-Key / ECM-Nr. 100800243/UGD/001/E 50000249269	Page 1/2



- 1 the area where no component on the PCB is allowed
- 2 the area where components of max. 0.9mm height are allowed on the PCB
- 3 starting from  $\varnothing 15^{+0.2}$ , the maximum height of the components on the PCB is 6,7mm

	All rights reserved	Created by SERBANA	Inspected by STOICA	Standardisation RUETERA	Date 2023-07-10	State Final Release
	Department EL PD	Title M12-PCB-THR-2PC-4P-SCOD-F-STR-SHLD			Doc-Key / ECM-Nr. 100800243/UGD/001/E 50000249269	
HARTING D-32339 Espelkamp		Type TB	Number 21033092430		Rev. E	Page 2/2