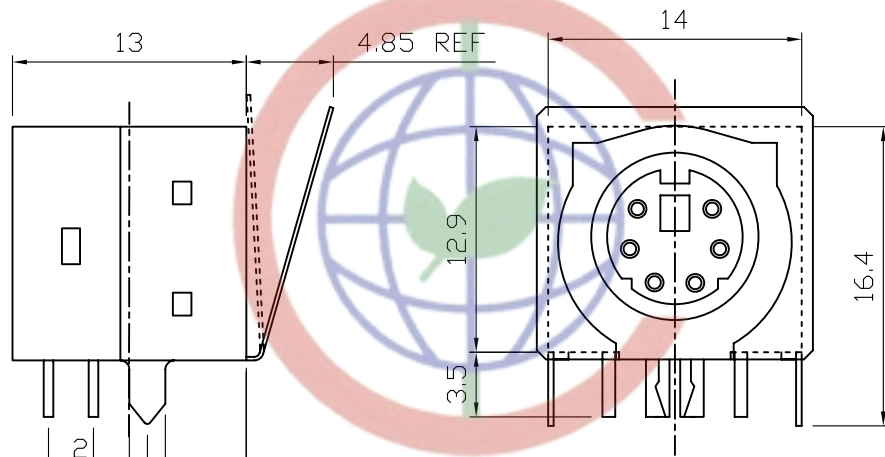


REV.	DESCRIPTION	DRAWN	CHECKED	APPROVED
A	NEW RELEASE	HP 06/10/05'		



NOTES:

- SPECIFICATIONS:
 - VOLTAGE RATING: 30V DC.
 - CONTACT CURRENT RATING: 1A MAX. PER PIN.
 - CONTACT RESISTANCE: 30 MILLIOHMS MAX.
 - DIELECTRIC WITHSTANDING VOLTAGE: 500V AC(rms) FOR 1 MINUTE.
 - INSULATION RESISTANCE: 1000 MEGAOHMS MIN.
 - OPERATING TEMPERATURE: -40°C~+105°C.

2. PRODUCT NUMBER CODE:

DS1093-02 - X X X X

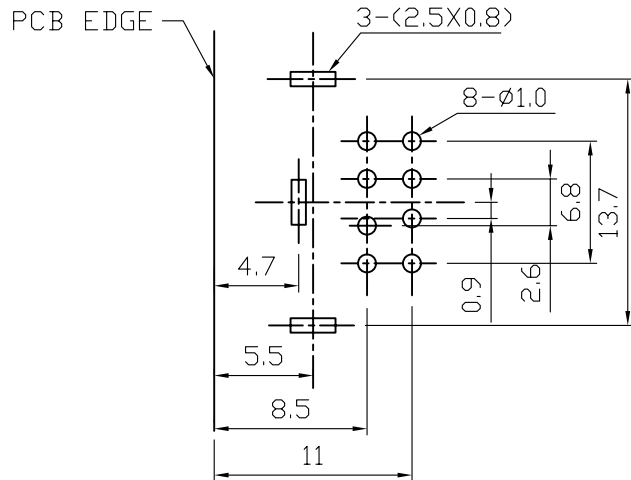
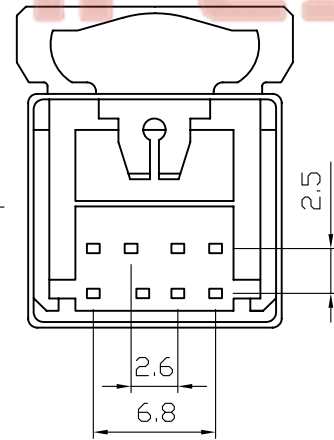
Contact plating
0: Selective Gold Flash

No. of contacts:
4 5 6 7 8

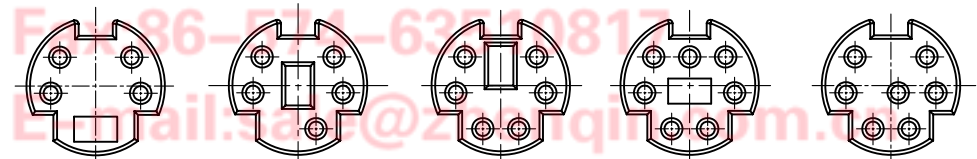
Shell Plating:
N: Nickel
6: Tin

Color of housing
B: Black


Series No.
DS1093-02



Tel:86-574-63508137
Fax:86-574-6350817
E-mail:sales@zhenxiang.com.cn



Http://www.comnfly.com

GENERAL TOLERANCE	ANGLE TOLERANCE	PROJECTION	TITLE	MINI DIN 824 TYPE	
X. ±0.60	X. ±5°	UNITS mm			
.X ±0.38	.X ±3°	SHEET SIZE A4	SERIES	DS1093-02 SERIES	
.XX ±0.25	.XX ±2°				
DRAWING TYPE	CUSTOMER		 晨翔电子有限公司 CONNFLY CONNFLY ELECTRONIC CO. LTD		
SCALE	1:1	SHEET 1 OF 1			
DRAWING NO.	C-DS1093-02-XXXX				

RECOMMEND PCB LAYOUT(TOLERANCE=±0.05)