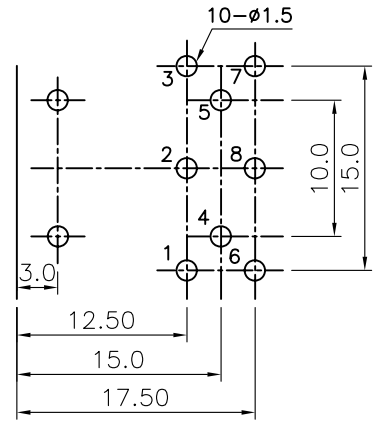
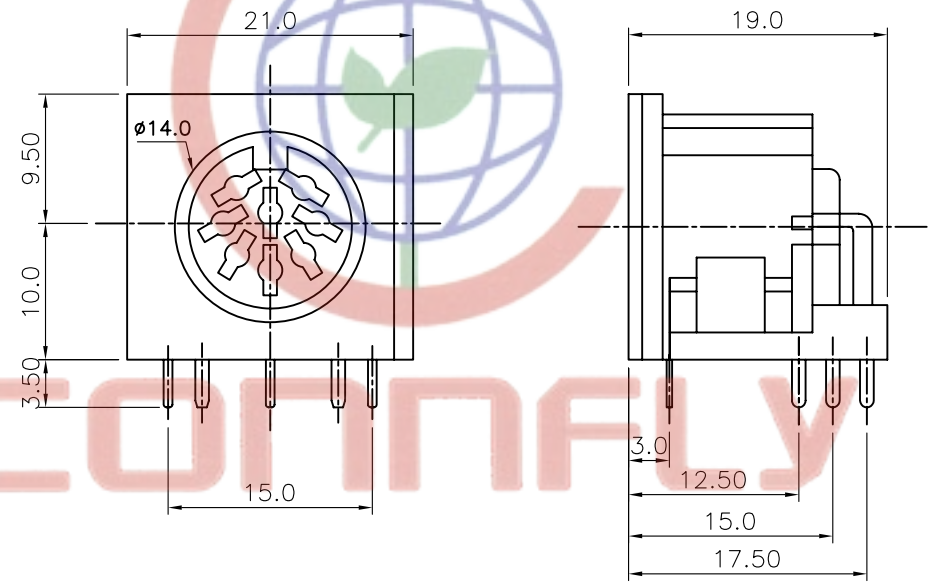
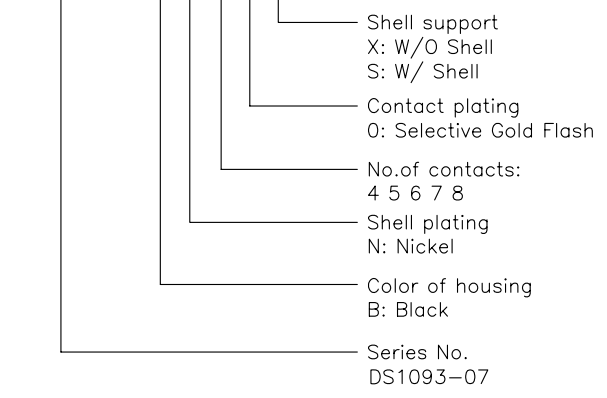


REV.	DESCRIPTION	DRAWN	CHECKED	APPROVED
A	NEW RELEASE	LJH07/18/05'		

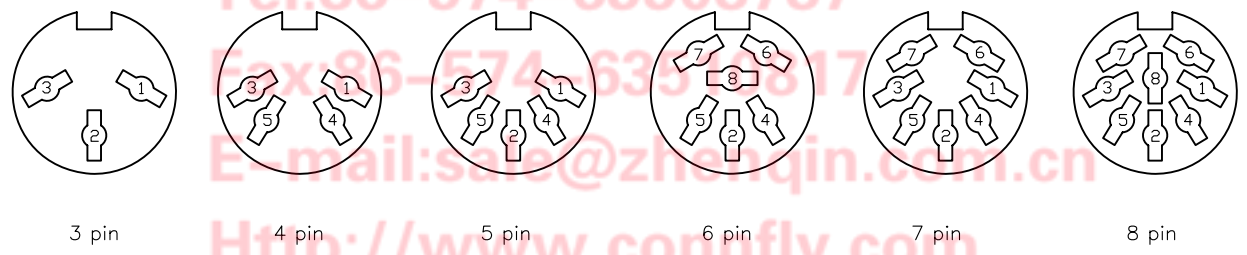
NOTES:

- SPECIFICATIONS:
 - VOLTAGE RATING: 30V DC.
 - CONTACT CURRENT RATING: 1A MAX. PER PIN.
 - CONTACT RESISTANCE: 30 MILLIOHMS MAX.
 - DIELECTRIC WITHSTANDING VOLTAGE: 500V AC(rms) FOR 1 MINUTE.
 - INSULATION RESISTANCE: 1000 MEGAOHMS MIN.
 - OPERATING TEMPERATURE: -40°C~+105°C.

2. PRODUCT NUMBER CODE:
DS1093-07 - X X X X X



RECOMMEND PCB LAYOUT(TOLERANCE= ± 0.05)



GENERAL TOLERANCE	ANGLE TOLERANCE	PROJECTION		TITLE	MINI DIN 804 W/O SHELLTYPE
X. ± 0.60	X. $\pm 5^\circ$	UNITS	mm	SERIES	DS1093-07 SERIES
.X ± 0.38	.X $\pm 3^\circ$	SHEET SIZE	A4		
.XX ± 0.25	.XX $\pm 2^\circ$				
DRAWING TYPE	CUSTOMER				
SCALE	1:1	SHEET	1 OF 1		
DRAWING NO.	C-DS1093-07-XXXX		CONFLY CONFLY ELECTRONIC CO. LTD		

Tel:86-574-63508787
 Fax:86-574-6350817
 E-mail:sales@zhongjin.com.cn
 Http://www.connfly.com

晨翔电子有限公司
 CONFLY CONFLY ELECTRONIC CO. LTD