

## Mini Din Connectors\* Din Connectors

KLS1-DSCT-3-07F-S DSCT Terminal Series

I

### Technical Characteristics:

1 use conditions:

Ambient temperature: ~70 C -25 C  
Relative humidity: 95% (40 degrees C)

2 rated load: AC2A 100V

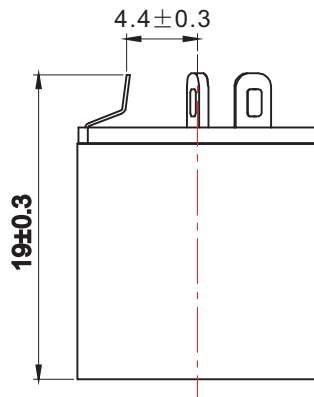
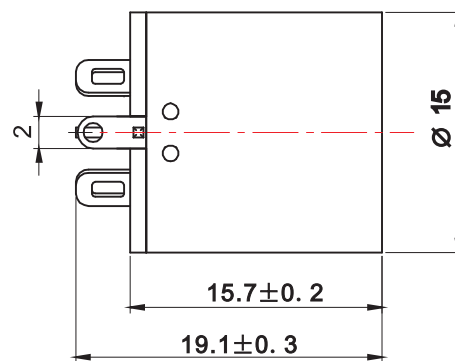
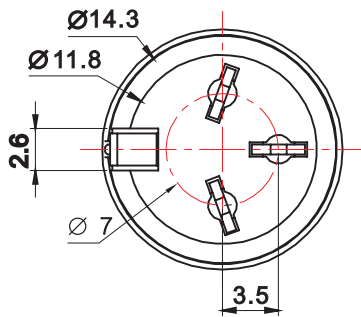
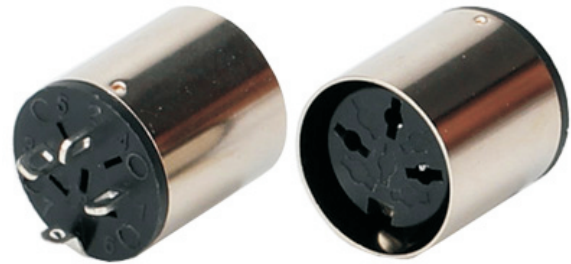
3.Contact resistance: 3 30m ohm

4.Insulation resistance: 4 100M ohm

5 pressure: AC 500V (50Hz) 1min

6 insertion force: 10-50N

7 life: 5000 times



## ORDER INFORMATION

Product NO.: KLS1-DSCT-3-07F-S

Pos. NO. ————  
DSCT Terminal Series ———— Pin Number:3-3P

## Mini Din Connectors\* Din Connectors

KLS1-DSCT-4-07F-S DSCT Terminal Series

I

### Technical Characteristics:

1 use conditions:

Ambient temperature: ~70 C -25 C  
Relative humidity: 95% (40 degrees C)

2 rated load: AC2A 100V

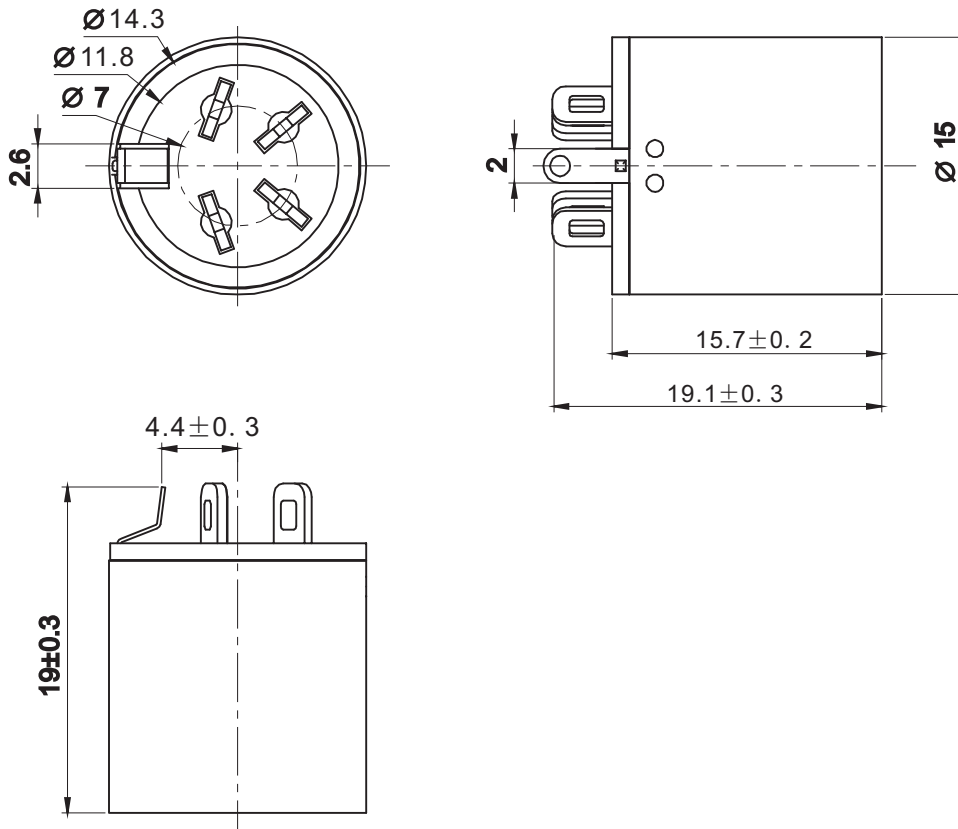
3.Contact resistance: 3 30m ohm

4.Insulation resistance: 4 100M ohm

5 pressure: AC 500V (50Hz) 1min

6 insertion force: 10-50N

7 life: 5000 times



## ORDER INFORMATION

Product NO.: KLS1-DSCT-4-07F-S

Pos. NO. ————  
DSCT Terminal Series ———— Pin Number:4-4P

## Mini Din Connectors\* Din Connectors

KLS1-DSCT-5-07F-S DSCT Terminal Series

I

### Technical Characteristics:

1 use conditions:

Ambient temperature:  $\sim 70\text{ C} - 25\text{ C}$   
Relative humidity: 95% (40 degrees C)

2 rated load: AC2A 100V

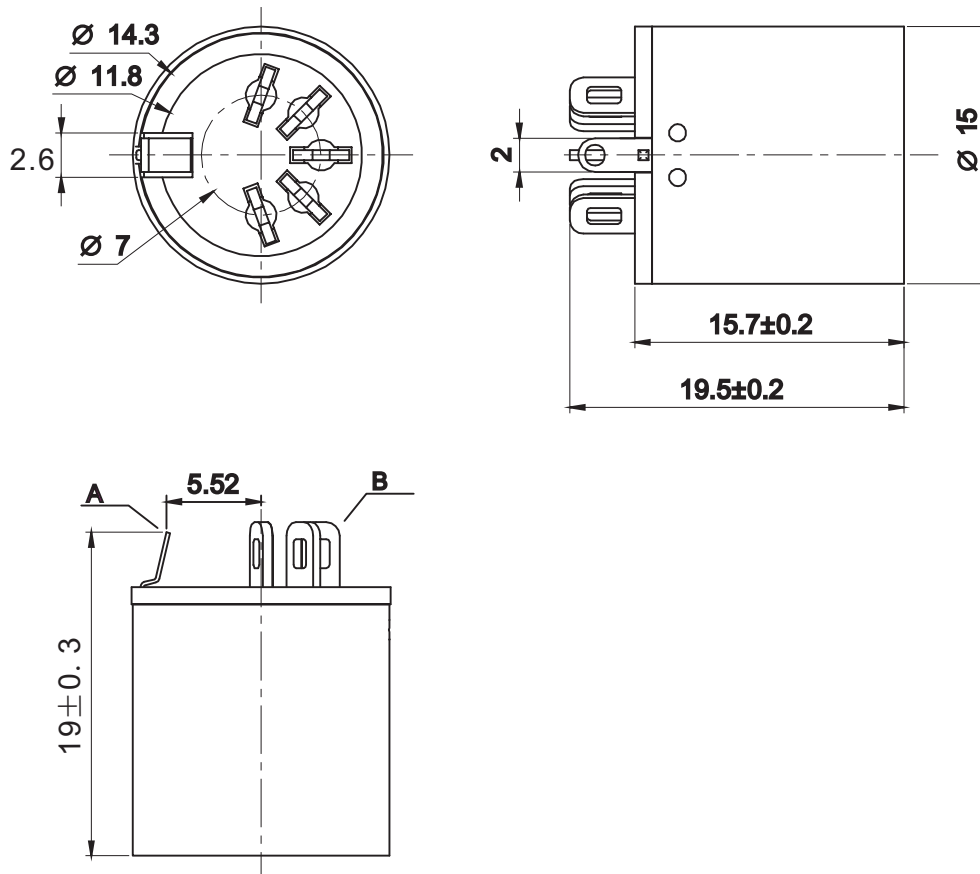
3.Contact resistance: 3 30m ohm

4.Insulation resistance: 4 100M ohm

5 pressure: AC 500V (50Hz) 1min

6 insertion force: 10-50N

7 life: 5000 times



## ORDER INFORMATION

Product NO.: KLS1-DSCT-5-07F-S



## Mini Din Connectors\* Din Connectors

KLS1-DSCT-6-07F-S DSCT Terminal Series

I

### Technical Characteristics:

1 use conditions:

Ambient temperature: ~70 C -25 C  
Relative humidity: 95% (40 degrees C)

2 rated load: AC2A 100V

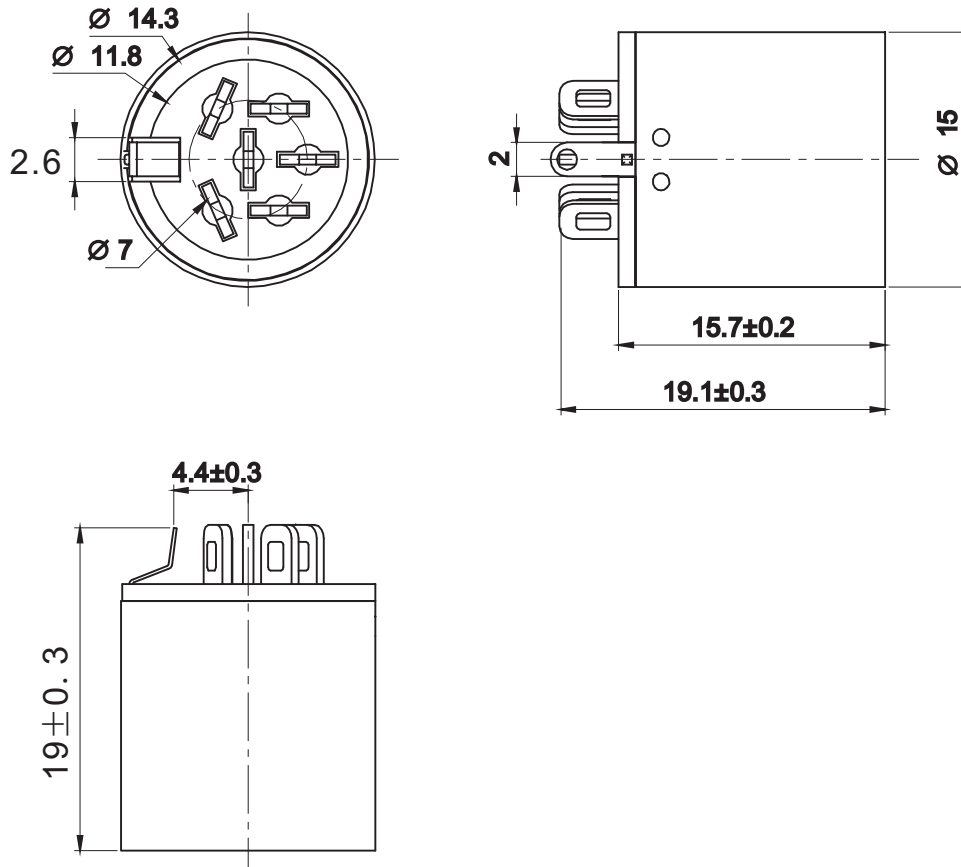
3.Contact resistance: 3 30m ohm

4.Insulation resistance: 4 100M ohm

5 pressure: AC 500V (50Hz) 1min

6 insertion force: 10-50N

7 life: 5000 times



## ORDER INFORMATION

Product NO.: KLS1-DSCT-6-07F-S



## Mini Din Connectors\* Din Connectors

KLS1-DSCT-7-07F-S DSCT Terminal Series

I

### Technical Characteristics:

1 use conditions:

Ambient temperature: ~70 C -25 C  
Relative humidity: 95% (40 degrees C)

2 rated load: AC2A 100V

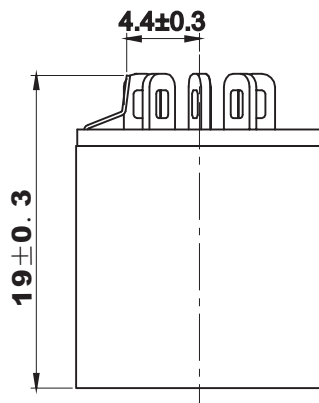
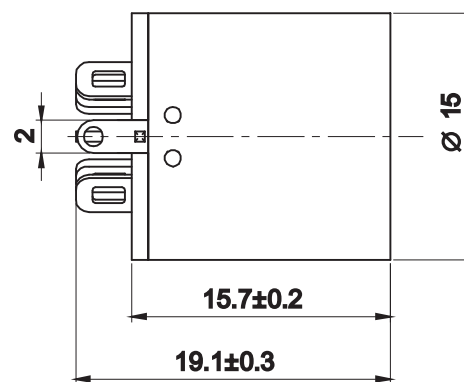
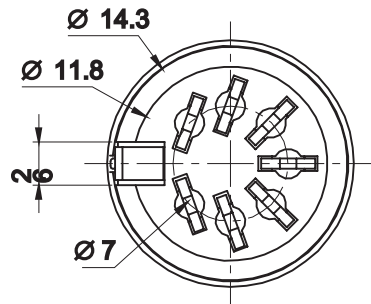
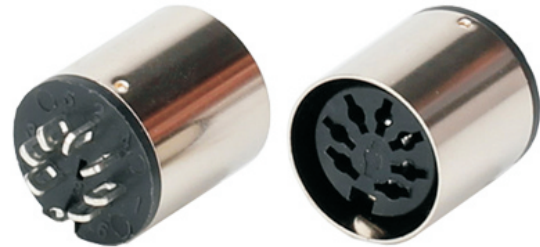
3.Contact resistance: 3 30m ohm

4.Insulation resistance: 4 100M ohm

5 pressure: AC 500V (50Hz) 1min

6 insertion force: 10-50N

7 life: 5000 times



## ORDER INFORMATION

Product NO.: KLS1-DSCT-7-07F-S

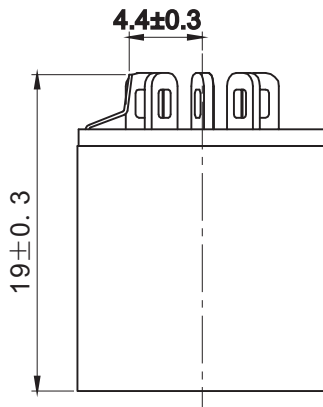
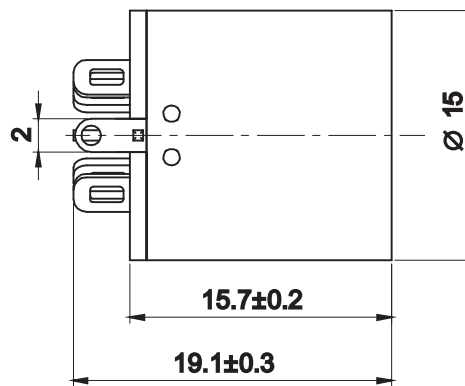
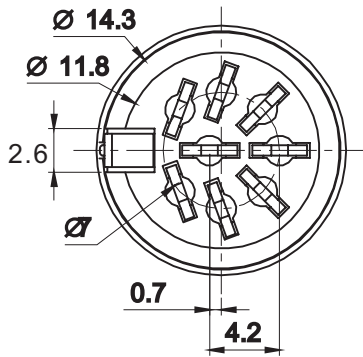
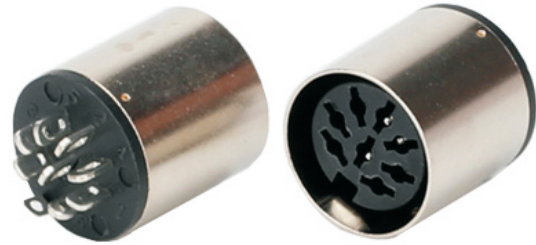
Pos. NO. ————  
DSCT Terminal Series ———— Pin Number: 7-7P

## Mini Din Connectors\* Din Connectors

KLS1-DSCT-8-07F-S DSCT Terminal Series

### Technical Characteristics:

- 1 use conditions:
  - Ambient temperature: ~70 C -25 C
  - Relative humidity: 95% (40 degrees C)
- 2 rated load: AC2A 100V
- 3.Contact resistance: 3 30m ohm
- 4.Insulation resistance: 4 100M ohm
- 5 pressure: AC 500V (50Hz) 1min
- 6 insertion force: 10-50N
- 7 life: 5000 times



## ORDER INFORMATION

Product NO.: KLS1-DSCT-8-07F-S

Pos. NO. ————  
DSCT Terminal Series ———— Pin Number:8-8P

## Mini Din Connectors\* Din Connectors

KLS1-DSCT-13-07F-S DSCT Terminal Series

### Technical Characteristics:

1 use conditions:

Ambient temperature: ~70 C -25 C  
Relative humidity: 95% (40 degrees C)

2 rated load: AC2A 100V

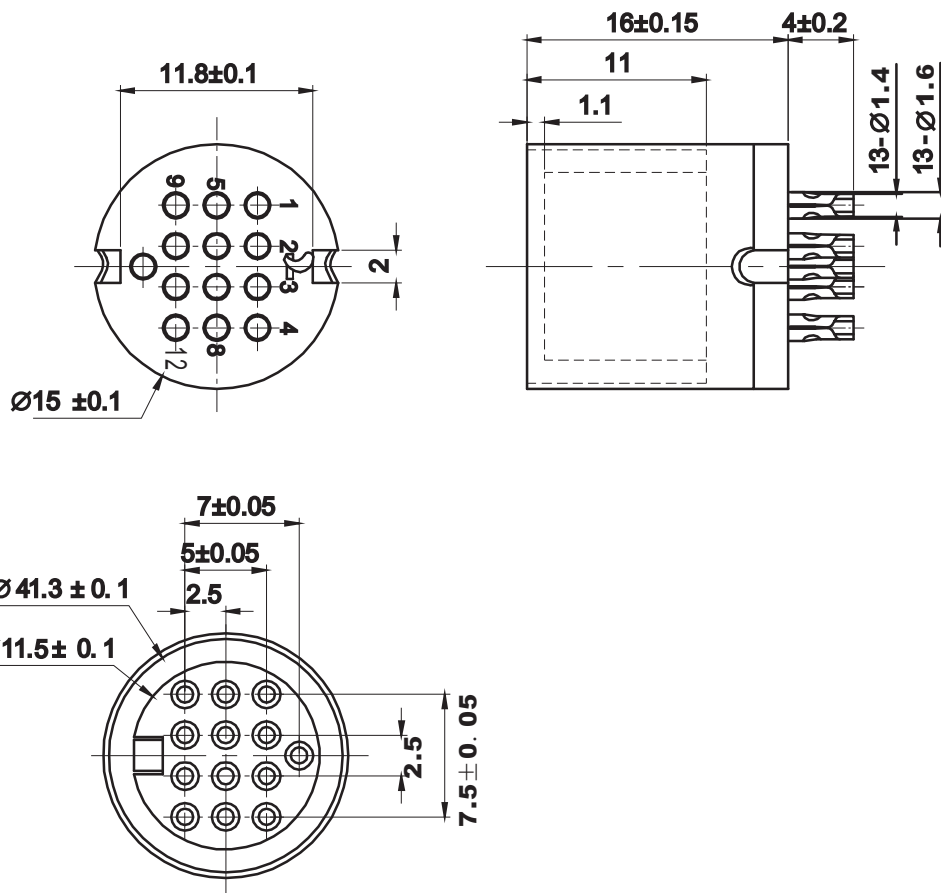
3.Contact resistance: 3 30m ohm

4.Insulation resistance: 4 100M ohm

5 pressure: AC 500V (50Hz) 1min

6 insertion force: 10-50N

7 life: 5000 times



## ORDER INFORMATION

Product NO.: KLS1-DSCT-13-07F-S

Pos. NO. \_\_\_\_\_  
DSCT Terminal Series \_\_\_\_\_ Pin Number: 13-13P