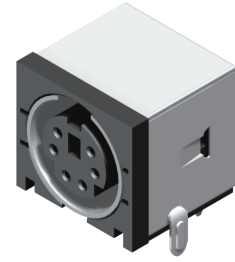
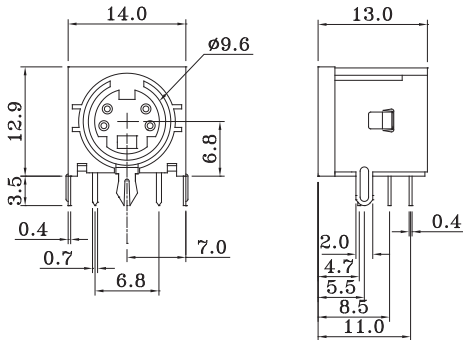


Mini Din Jack Shielded Fork Type 3~9Pin



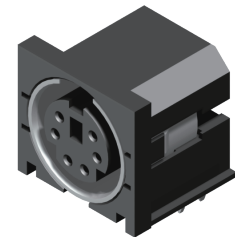
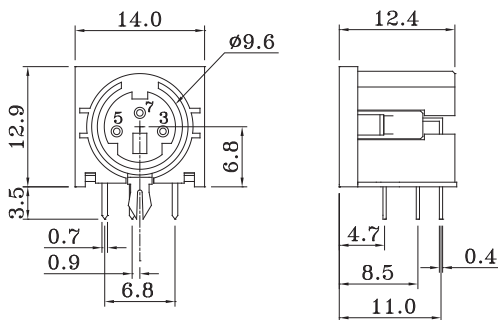
No.	Name	Q'ty	Material	Remarks & Thickness	Finish
1	Housing	1	PBT		Black
2	Contact	3~9	Phos. Bronze	Ni:1~5u; Tin:3u. Gold:1~3u	Gold/Tin Plated
3	Ground	1	Brass	Tin:3~5u	Tin Plated
4	Back Cover	1	PBT		Black
5	Shield	1	Mild Steel	Tin:3~5u	Tin Plated

P/N.:5MDJDN-XS0BAA01

Old P/N.:MDJ-508D-XA-L 3~9 PORTS

Add Shell	3 Port	4 Port	5 Port	6 Port	7 Port	8 Port	9 Port
Housing Contacts							
Recommended PCB Layout Bottom View							

Mini Din Jack Plastic Fork Type 3~9Pin



No.	Name	Q'ty	Material	Remarks & Thickness	Finish
1	Housing	1	PBT		Black
2	Contact	3~9	Phos. Bronze	Ni:1~5u; Tin:3u. Gold:1~3u	Gold/Tin Plated
3	Ground	1	Brass	Tin:3~5u	Tin Plated
4	Back Cover	1	PBT		Black

P/N.:5MDJEN-XS0BAA01

Old P/N.:MDJ-508E-XA-L 3~9 PORTS

Add Shell	3 Port	4 Port	5 Port	6 Port	7 Port	8 Port	9 Port
Housing Contacts							
Recommended PCB Layout Bottom View							