

REV.	DESCRIPTION	DRAWN	CHECKED	APPROVED
A	NEW RELEASE	LJH07/17/05'		

NOTES:

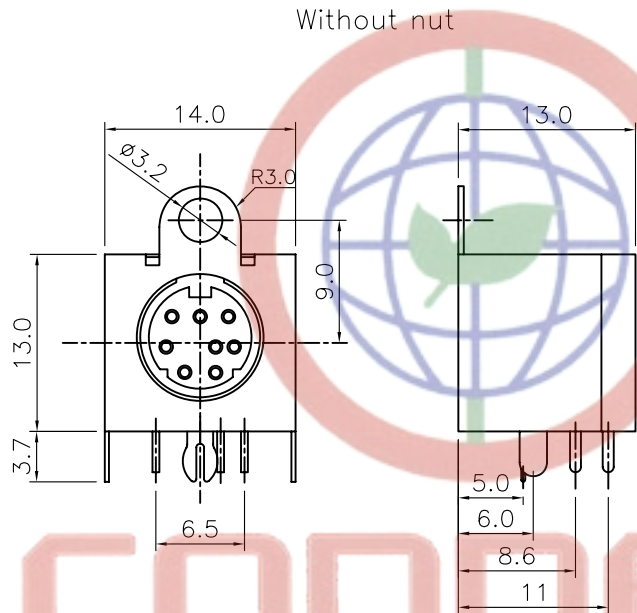
1. SPECIFICATIONS:

- 1.0 VOLTAGE RATING: 30V DC.
- 1.1 CONTACT CURRENT RATING: 1A MAX. PER PIN.
- 1.2 CONTACT RESISTANCE: 30 MILLIOHMS MAX.
- 1.3 DIELECTRIC WITHSTANDING VOLTAGE: 500V AC(rms) FOR 1 MINUTE.
- 1.4 INSULATION RESISTANCE: 1000 MEGAOHMS MIN.
- 1.5 OPERATING TEMPERATURE: -40°C~+105°C.

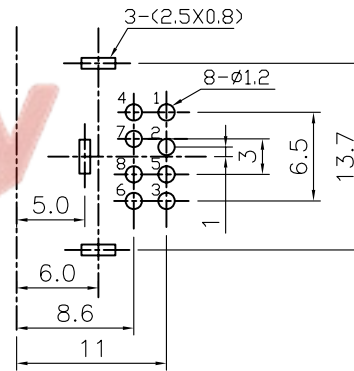
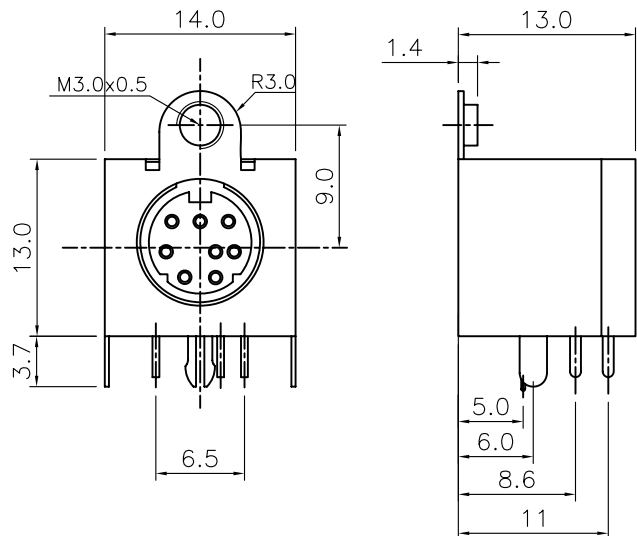
2. PRODUCT NUMBER CODE:

DS1093-04-X X X X X

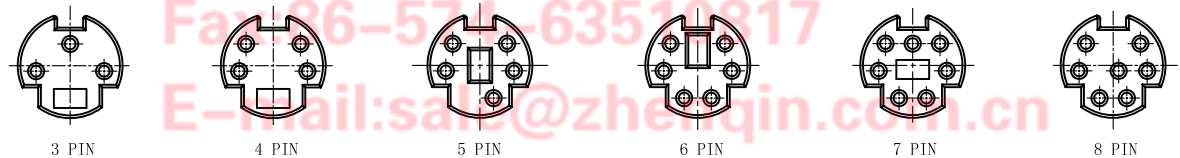
- Nut support
X: W/O nut
S: W/ nut(M3)
- Contact plating
0: Selective Gold Flash
- No. of contacts:
3 4 5 6 7 8
- Shell Plating:
N: Nickel
6: Tin
- Color of housing
B: Black
- Series No.
DS1093-04



WITH M3 nut



RECOMMEND PCB LAYOUT(TOLERANCE=±0.05)



GENERAL TOLERANCE		ANGLE TOLERANCE		PROJECTION	TITLE
X.	±0.60	X.	±5°		MINI DIN 810 TYPE
.X	±0.38	.X	±3°	mm	SERIES DS1093-04 SERIES
.XX	±0.25	.XX	±2°	A4	
DRAWING TYPE	CUSTOMER				
SCALE	1:1	SHEET	1 OF 1		
DRAWING NO.	C-DS1093-04-XXXXX				

晨翔电子有限公司
CONNFLY CONNFLY ELECTRONIC CO. LTD

Tel:86-574-63508787
Fax:86-574-63510817
E-mail:sales@zhengjin.com.cn
Http://www.connfly.com
Add:East Industry Zone, KungYan Town, Cuiqingbo, Ningbo, P.R.C:315333