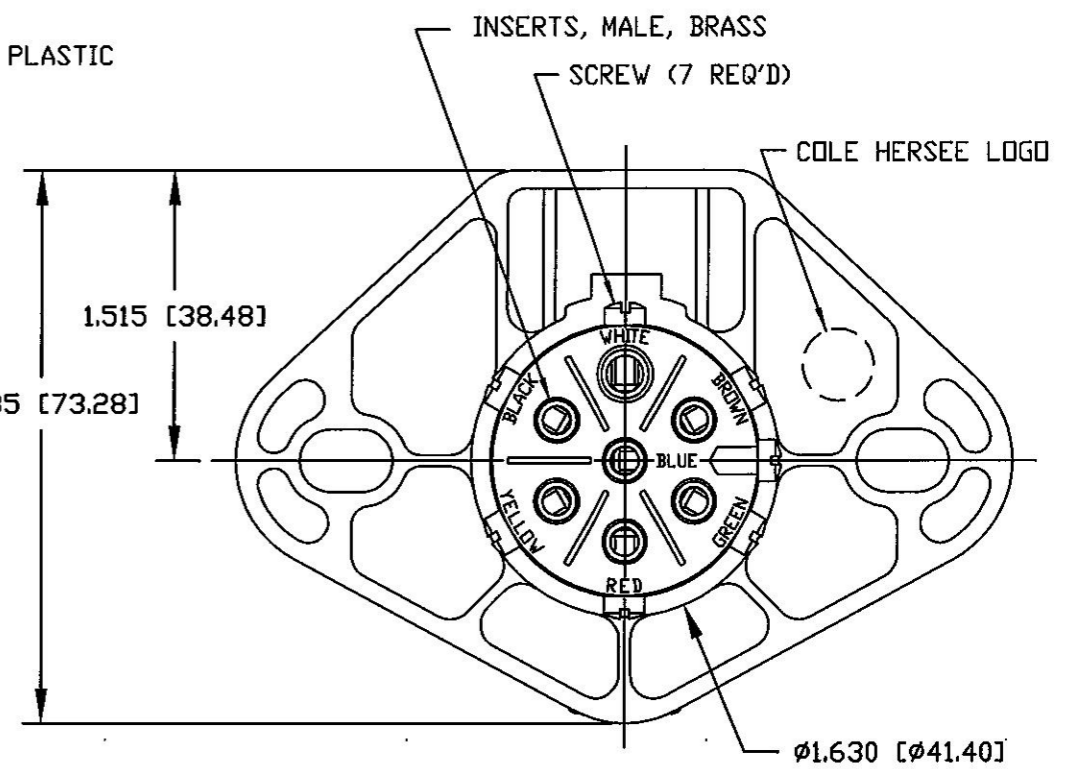
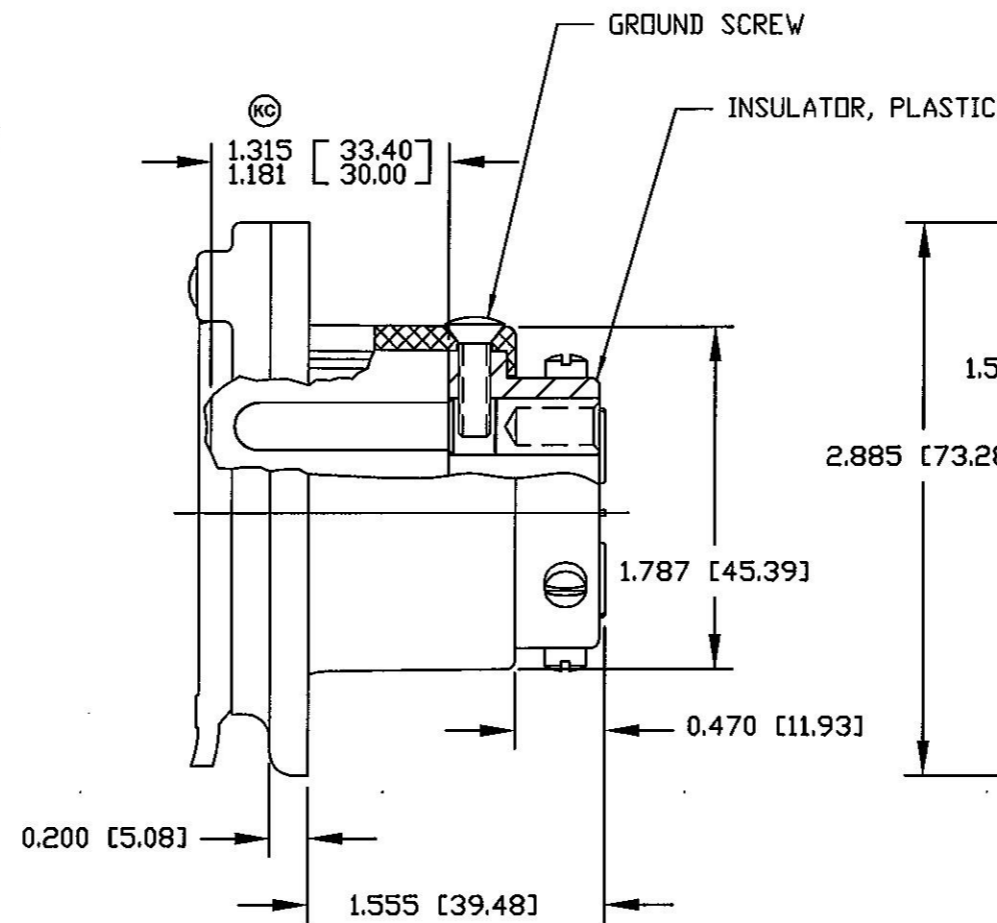
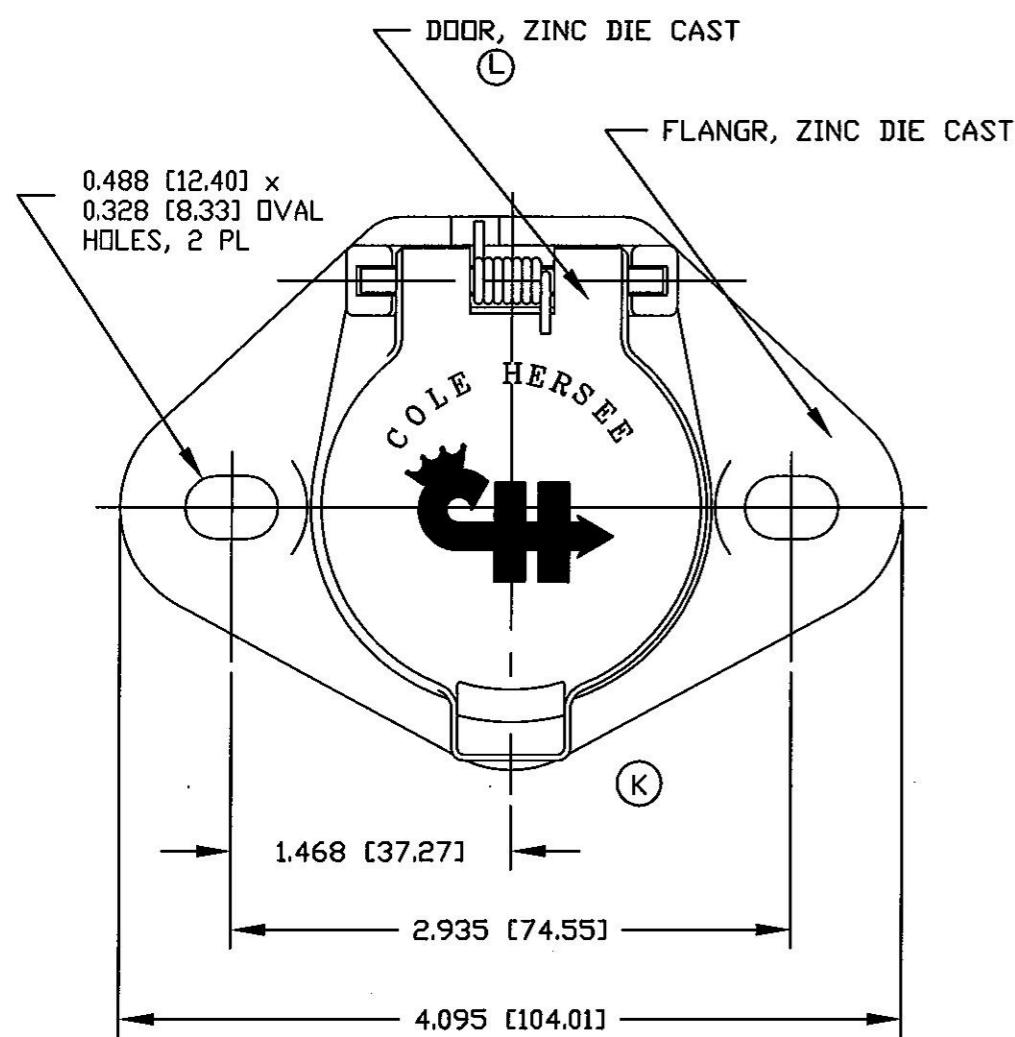


**Revision Control Record**

| Rev. | Description of Change | ECN No. | Date     |
|------|-----------------------|---------|----------|
| K    | ADDED P/N TO THE PART | 03029   | 1/21/03  |
| L    | REVISED DOOR          | 09538   | 11/12/09 |
|      |                       |         |          |
|      |                       |         |          |



**NOTES:**

1. ALL DIMENSIONS ARE REFERENCE
2. INSERTS WILL ACCEPT UP TO #8 GA [8.0mm<sup>2</sup>] WIRE LEAD AT GROUND TERMINAL AND #10 GA [5.0mm<sup>2</sup>] WIRE LEADS AT OTHER TERMINALS
3. SELF GROUNDED
4. SOLID PIN TYPE

| COND NO | WIRE COLOR | LAMPS, SIGNAL CIRCUITS                                    |
|---------|------------|---|
| 7       | BLUE       | AUXILIARY   |
| 6       | BROWN      | TAIL CLEARANCE, SIDE MARKER LAMPS AND LICENSE PLATE LAMPS |
| 5       | GREEN      | RIGHT - HAND TURN SIGNAL AND HAZARD SIGNAL                |
| 4       | RED        | STOP LAMPS AND ANTILOCK DEVICES                           |
| 3       | YELLOW     | LEFT - HAND TURN SIGNAL AND HAZARD SIGNAL                 |
| 2       | BLACK      | CLEARANCE, SIDE MARKER, AND IDENTIFICATION LAMPS          |
| 1       | WHITE      | GROUND RETURN TO TOWING VEHICLE                           |

**Tolerances** Unless otherwise specifically noted, the following are default tolerances:  
 • 2-place Decimal Dimensions +/- .02"  
 • 3-place Decimal Dimensions +/- .005"  
 • Angular Dimensions +/- 1.0 Deg.  
 • Metric: Refer to equivalent English Dimension Tolerance  
 >>> NOTE: All tolerances are Non-Cumulative. <<<

**Dimensional Units** All dimensions are expressed in inches except those shown in brackets (xxx) are expressed in millimeters

\*REF. or an Asterisk (\*) = Non-Toleranced Reference Dimension, shown for clarification purposes only.

Used On or Ref.: Scale: **1:1**

**PROPRIETARY INFORMATION** This Engineering Drawing, and the information contained herein, is proprietary to Cole Hersee Company and may not be disclosed, re-produced, or in any other way transferred or communicated to any other party without the express written consent of an authorized representative of Cole Hersee Company.

**DESIGN CONTROL** It is the responsibility of the individual using / referencing this drawing to assure that the noted design revision level agrees with the revision level of the Controlled Document (Master Drawing). This is a NON-CONTROLLED DOCUMENT unless otherwise specifically noted.

DO NOT SCALE - Dimensional variation may occur during printing / reproduction.

Drawn By: **BW** Date: **5/15/73**

**Special Characteristics:**

- ⬠ Critical Characteristic, relating to Safety and/or Regulatory Compliance
- X Significant Characteristic relating to Process Control (SPC)
- Ⓚ Control Dimension relating to Form - Fit - Function as defined by Cole Hersee Company and/or the Customer

(Note that the Identification of any Characteristics as being "Special" does not alter the requirement that ALL specified dimensions & tolerances must be met.)

Responsible Engineer: **SAM** Pg. 1 of 1

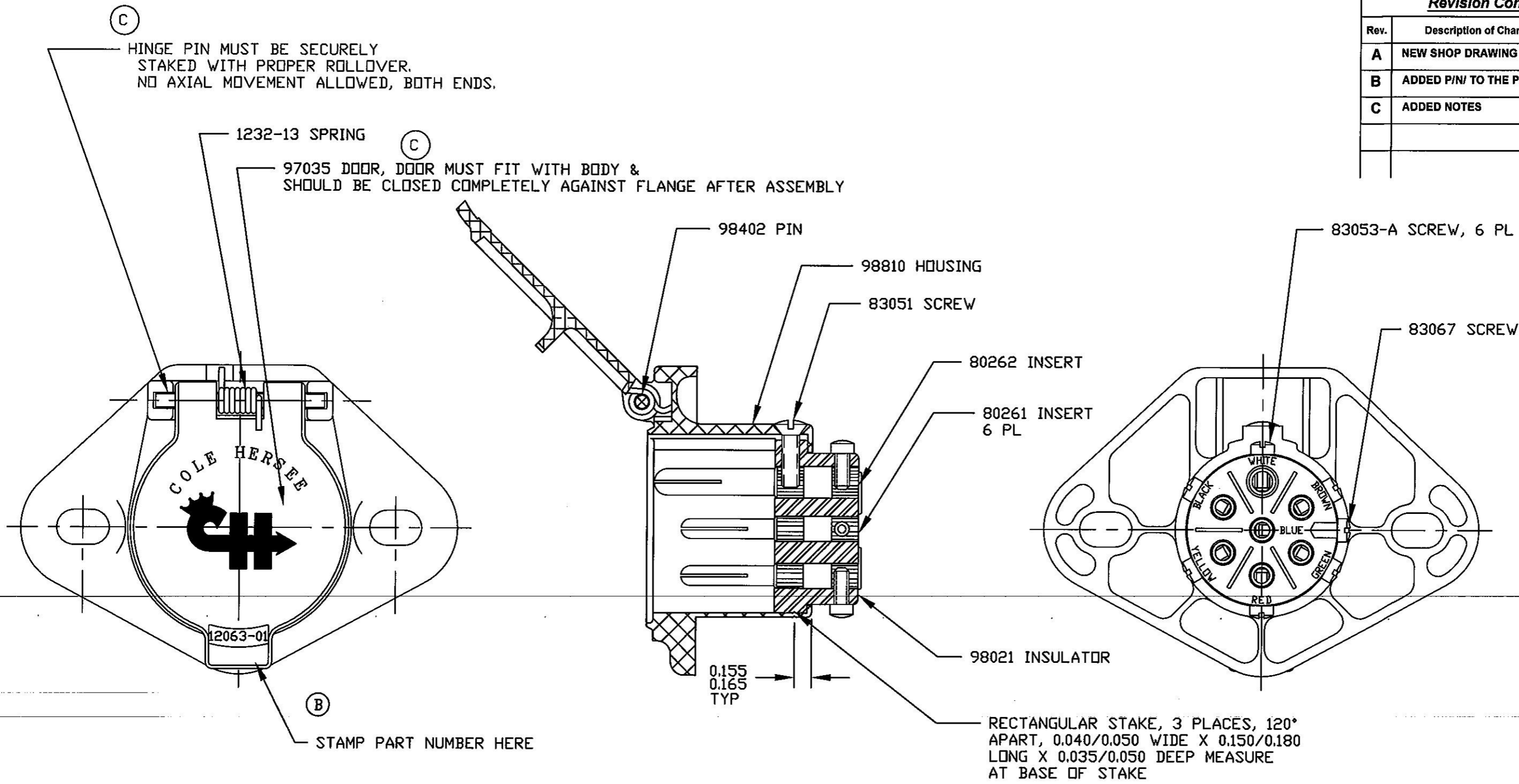
**Cole Hersee Co.**  
 20 Old Colony Ave., South Boston, MA, 02127  
 Phn: 617-268-2100 Web: www.colehersee.com

**Description:** **7 WAY FLANGE CONN**

Drawing / Part No.: **12063** Current Rev.: **L**

**Revision Control Record**

| Rev. | Description of Change | ECN No. | Date     |
|------|-----------------------|---------|----------|
| A    | NEW SHOP DRAWING      | 00777   | 11/2/00  |
| B    | ADDED P/N TO THE PART | 03029   | 1/21/03  |
| C    | ADDED NOTES           | 09623   | 10/27/09 |
|      |                       |         |          |
|      |                       |         |          |



**Tolerances** Unless otherwise specifically noted, the following are default tolerances:  
 • 2-place Decimal Dimensions +/- .02"  
 • 3-place Decimal Dimensions +/- .005"  
 • Angular Dimensions +/- 1.0 Deg.  
 • Metric: Refer to equivalent English Dimension Tolerance  
 >>> NOTE: All tolerances are Non-Cumulative. <<<

**Dimensional Units** All dimensions are expressed in inches except those shown in brackets (xxx) are expressed in millimeters

"REF." or an Asterisk (\*) = Non-Toleranced Reference Dimension, shown for clarification purposes only.

**PROPRIETARY INFORMATION** This Engineering Drawing, and the information contained herein, is proprietary to Cole Hersee Company and may not be disclosed, re-produced, or in any other way transferred or communicated to any other party without the express written consent of an authorized representative of Cole Hersee Company.

**DESIGN CONTROL** It is the responsibility of the Individual using / referencing this drawing to assure that the noted design revision level agrees with the revision level of the Controlled Document (Master Drawing). This is a NON-CONTROLLED DOCUMENT unless otherwise specifically noted.

DO NOT SCALE - Dimensional variation may occur during printing / reproduction.

**Special Characteristics:**

- CC Critical Characteristic, relating to Safety and/or Regulatory Compliance
- X Significant Characteristic relating to Process Control (SPC)
- KC Control Dimension relating to Form - Fit - Function as defined by Cole Hersee Company and/or the Customer

(Note that the identification of any Characteristics as being "Special" does not alter the requirement that ALL specified dimensions & tolerances must be met.)

**Cole Hersee Co.**  
 20 Old Colony Ave., South Boston, MA, 02127  
 Phn: 617-268-2100 Web: www.colehersee.com

**Description: 7 WAY FLANGE CONN**

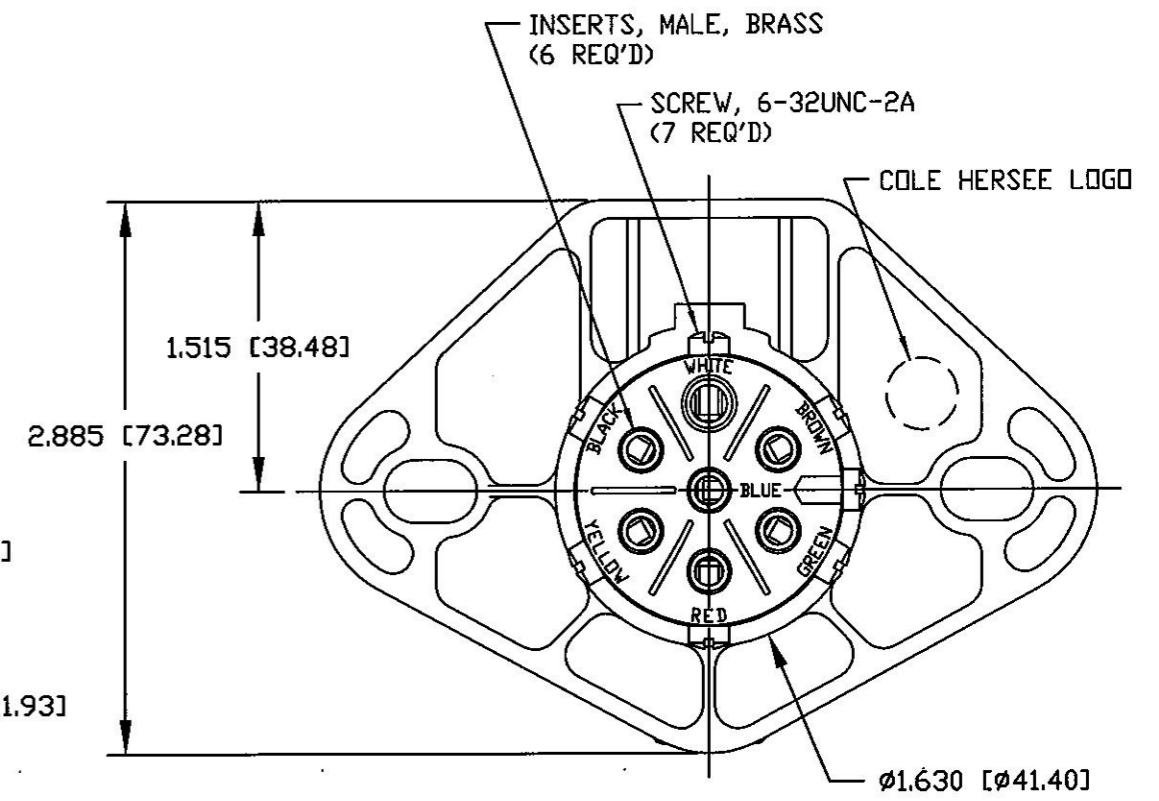
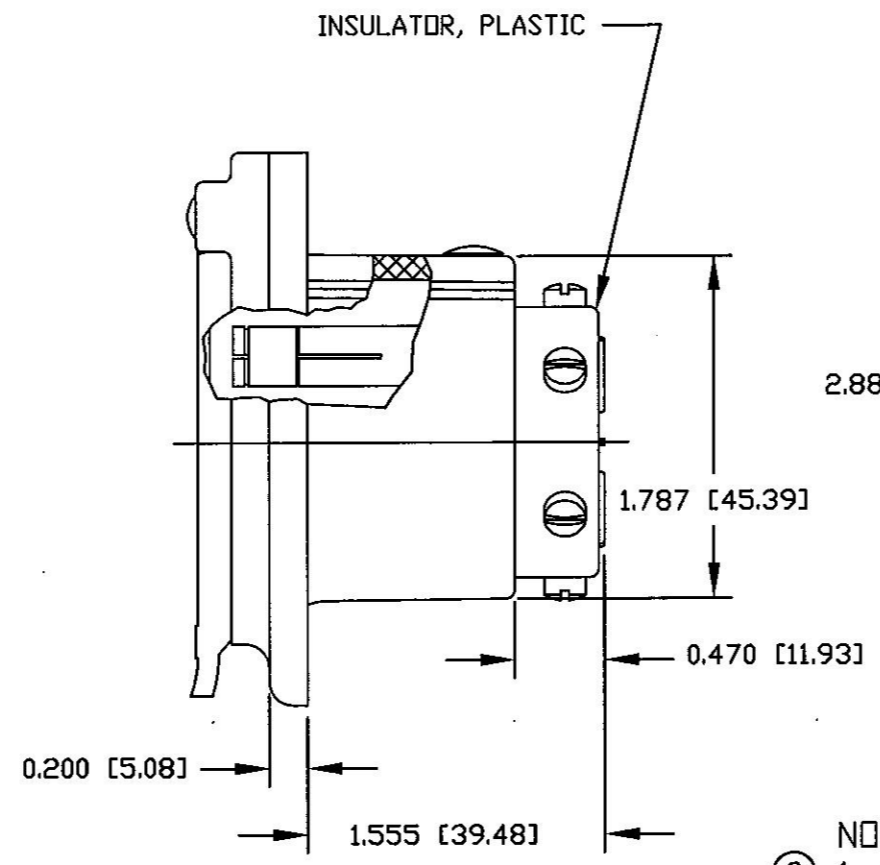
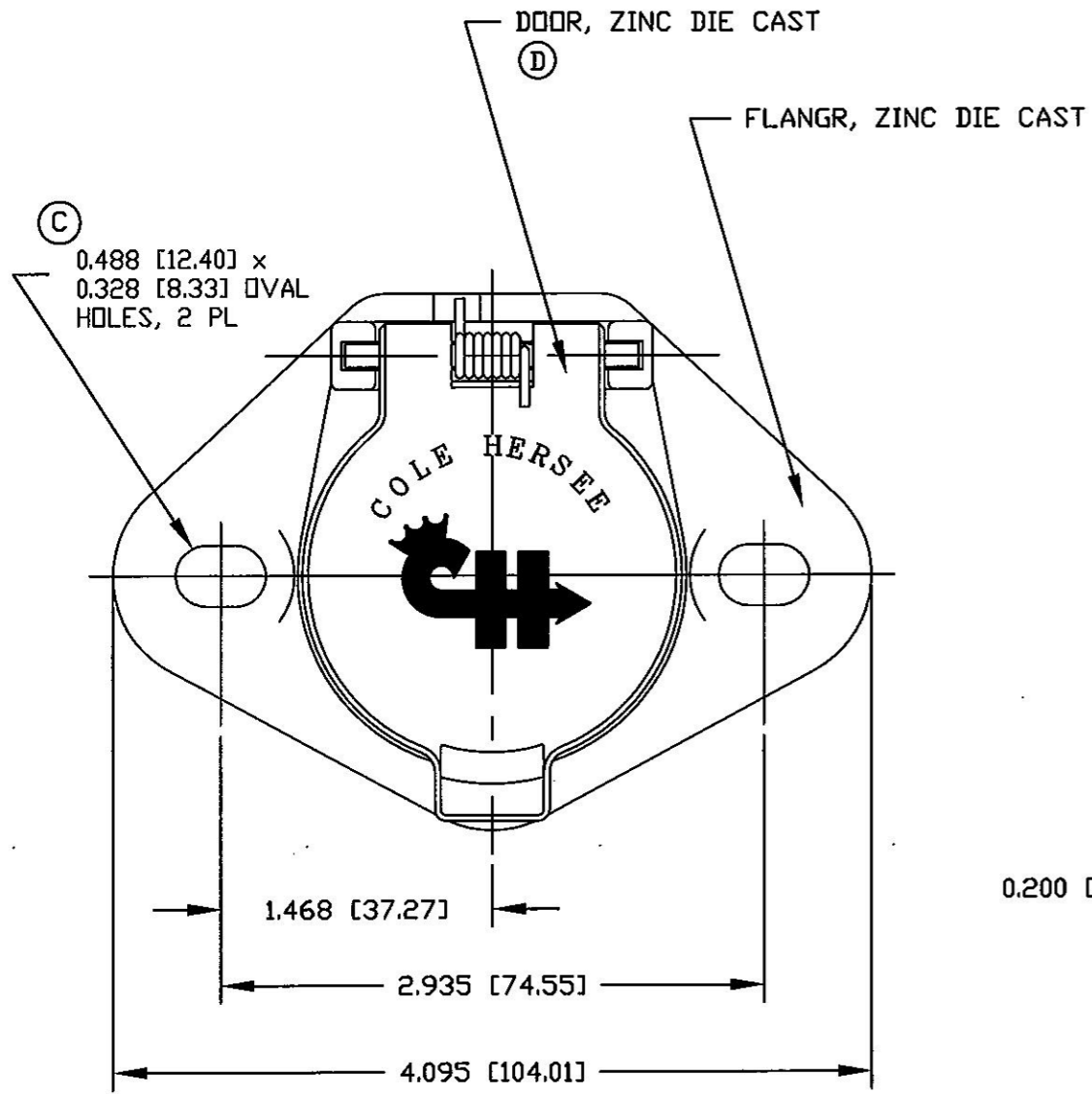
Drawing / Part No.: **12063-01** SHOP DRAWING

Current Rev.: **C**

Used On or Ref.: Scale: **1:1** Drawn By: **PEM** Date: **11/2/00** Responsible Engineer: **SM** Pg. 1 of 1

**Revision Control Record**

| Rev. | Description of Change  | ECN No. | Date     |
|------|------------------------|---------|----------|
| C    | CHANGED SHAPE OF HOLES | 02373   | 2/04/03  |
| D    | REVISED DOOR           | 09538   | 11/12/09 |
|      |                        |         |          |
|      |                        |         |          |



- NOTES:  
 (C) 1. ALL DIMENSIONS ARE REFERENCE  
 2. INSERTS WILL ACCEPT UP TO #8 GA [8.0mm<sup>2</sup>] WIRE LEAD AT GROUND TERMINAL AND #10 GA [5.0mm<sup>2</sup>] WIRE LEADS AT OTHER TERMINALS  
 3. INSULATED  
 4. SOLID PIN TYPE  
 5. REF. I.S.D. STD. 3731-1976 (E)  
 TYPE 24S (SUPPLEMENTARY) 24V

|         |            |   |
|---------|------------|---|
| 7       | BLUE       | AUXILIARY   |
| 6       | BROWN      | TAIL CLEARANCE, SIDE MARKER LAMPS AND LICENSE PLATE LAMPS |
| 5       | GREEN      | RIGHT - HAND TURN SIGNAL AND HAZARD SIGNAL                |
| 4       | RED        | STOP LAMPS AND ANTILOCK DEVICES                           |
| 3       | YELLOW     | LEFT - HAND TURN SIGNAL AND HAZARD SIGNAL                 |
| 2       | BLACK      | CLEARANCE, SIDE MARKER, AND IDENTIFICATION LAMPS          |
| 1       | WHITE      | GROUND RETURN TO TOWING VEHICLE (C)                       |
| COND NO | WIRE COLOR | LAMPS, SIGNAL CIRCUITS                                    |

**Tolerances** Unless otherwise specifically noted, the following are default tolerances:  
 \* 2-place Decimal Dimensions +/- .02"  
 \* 3-place Decimal Dimensions +/- .005"  
 \* Angular Dimensions +/- 1.0 Deg.  
 \* Metric: Refer to equivalent English Dimension Tolerance  
 >>> NOTE: All tolerances are Non-Cumulative. <<<  
**Dimensional Units** All dimensions are expressed in inches except those shown in brackets (xxx) are expressed in millimeters  
**"REF." or an Asterisk (\*)** = Non-Toleranced Reference Dimension, shown for clarification purposes only.  
 Used On: 12077 W/CH FLANGE & DOOR  
 Scale: 1:1

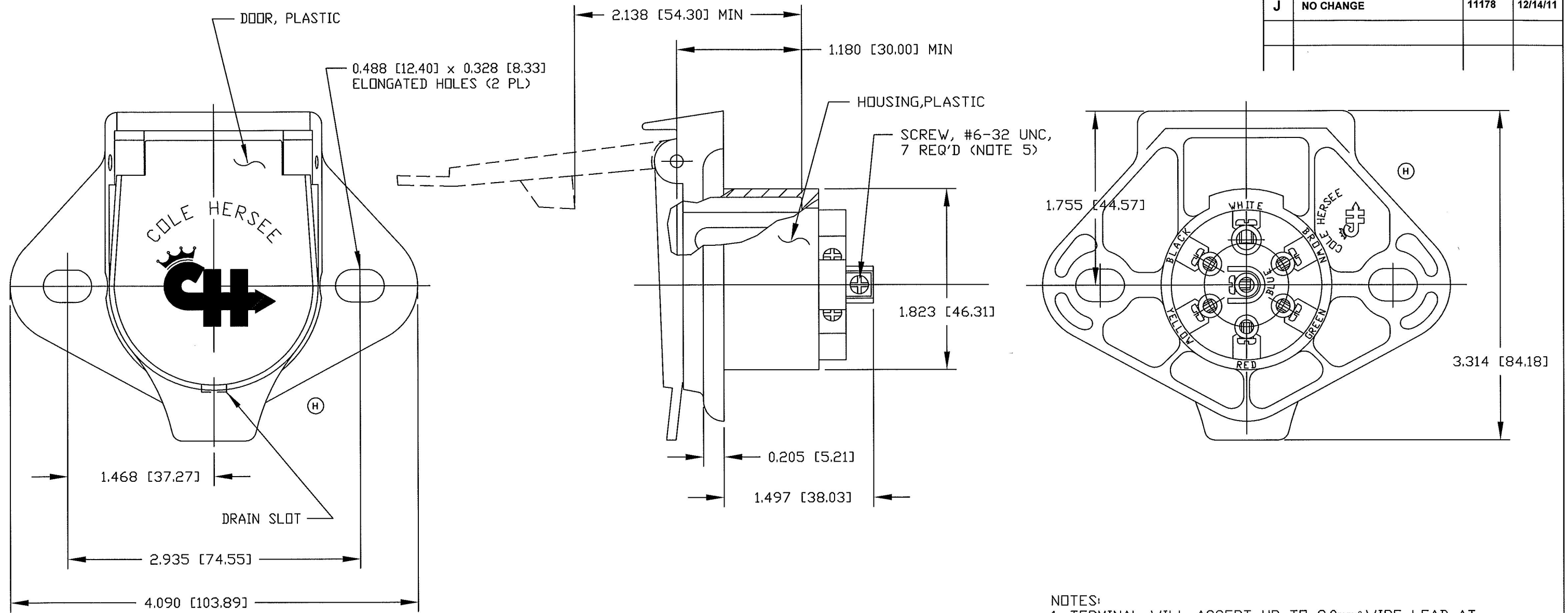
**PROPRIETARY INFORMATION** This Engineering Drawing, and the information contained herein, is proprietary to Cole Hersee Company and may not be disclosed, re-produced, or in any other way transferred or communicated to any other party without the express written consent of an authorized representative of Cole Hersee Company.  
**DESIGN CONTROL** It is the responsibility of the individual using/ referencing this drawing to assure that the noted design revision level agrees with the revision level of the Controlled Document (Master Drawing). This is a NON-CONTROLLED DOCUMENT unless otherwise specifically noted.  
 DO NOT SCALE - Dimensional variation may occur during printing/ reproduction.  
 Drawn By: RMT  
 Date Drawn: 7/28/80

**Special Characteristics:**  
 (CC) Critical Characteristic, relating to Safety and/or Regulatory Compliance  
 (X) Significant Characteristic relating to Process Control (SPC)  
 (KC) Control Dimension relating to Form - Fit - Function as defined by Cole Hersee Company and/or the Customer  
 (Note that the identification of any Characteristics as being "Special" does not alter the requirement that ALL specified dimensions & tolerances must be met.)  
 Responsible Engineer: SAM  
 Pg. 1 of 1

**Cole Hersee Co.**  
 20 Old Colony Ave., South Boston, MA, 02127  
 Phn: 617-268-2100 Web: www.colehersee.com  
**Description: 7 WAY FLANGE CONN**  
 Drawing/ Part No.: 12077-01  
 Current Rev.: D

**Revision Control Record**

| Rev. | Description of Change | ECN No. | Date     |
|------|-----------------------|---------|----------|
| H    | AUTOCAD               | 06169   | 06/02/06 |
| J    | NO CHANGE             | 11178   | 12/14/11 |



- NOTES:
1. TERMINAL WILL ACCEPT UP TO 8.0mm<sup>2</sup> WIRE LEAD AT GROUND TERMINAL & 5.0 mm<sup>2</sup> WIRE LEADS AT ALL OTHER TERMINALS.
  2. SOLID PIN TYPE - PLAIN BRASS
  3. CAN BE USED AS REPLACEMENT FOR ISO STD. TYPE 24N 24 VOLTS
  4. ALL DIMENSIONS WITHOUT TOLERANCE ARE REFERENCE
  5. SCREW TIGHTENING TORQUE 0.9 Nm (8 LB-IN) MAX.

|                  |            |   |
|------------------|------------|---|
| 7                | BLUE       | AUXILIARY   |
| 6                | BROWN      | TAIL CLEARANCE, SIDE MARKER LAMPS & LICENCE PLATE LAMPS |
| 5                | GREEN      | RIGHT HAND TURN SIGNAL & HAZARD SIGNAL                  |
| 4                | RED        | STOP LAMP & ANTI-LOCK DEVICES                           |
| 3                | YELLOW     | LEFT HAND TURN SIGNAL & HAZARD SIGNAL                   |
| 2                | BLACK      | CLEARANCE, SIDE MARKER & IDENT. LAMP                    |
| 1                | WHITE      | GROUND, RETURN TO TOWING VEHICLE                        |
| CONDUCTOR NUMBER | WIRE COLOR | LAMPS, SIGNAL CIRCUITS                                  |

**Tolerances** Unless otherwise specifically noted, the following are default tolerances:  
 \* 2-place Decimal Dimensions +/- .02"  
 \* 3-place Decimal Dimensions +/- .005"  
 \* Angular Dimensions +/- 1.0 Deg.  
 \* Metric: Refer to equivalent English Dimension Tolerance  
 >>> NOTE: All tolerances are Non-Cumulative. <<<

**Dimensional Units** All dimensions are expressed in inches except those shown in brackets (xxx) are expressed in millimeters

"REF." or an Asterisk (\*) = Non-Toleranced Reference Dimension, shown for clarification purposes only.

Used On or Ref.: **EX19384** Scale: **1:1**

**PROPRIETARY INFORMATION** This Engineering Drawing, and the information contained herein, is proprietary to Cole Hersee Company and may not be disclosed, re-produced, or in any other way transferred or communicated to any other party without the express written consent of an authorized representative of Cole Hersee Company.

**DESIGN CONTROL** It is the responsibility of the individual using / referencing this drawing to assure that the noted design revision level agrees with the revision level of the Controlled Document (Master Drawing). This is a NON-CONTROLLED DOCUMENT unless otherwise specifically noted.

DO NOT SCALE - Dimensional variation may occur during printing / reproduction.

Drawn By: **CS** Date Drawn: **01/11/82**

**Special Characteristics:**

- Critical Characteristic, relating to Safety and/or Regulatory Compliance
- Significant Characteristic relating to Process Control (SPC)
- Control Dimension relating to Form - Fit - Function as defined by Cole Hersee Company and/or the Customer

(Note that the identification of any Characteristics as being "Special" does not alter the requirement that ALL specified dimensions & tolerances must be met.)

Responsible Engineer: **SAM** Pg. **1** of **1**

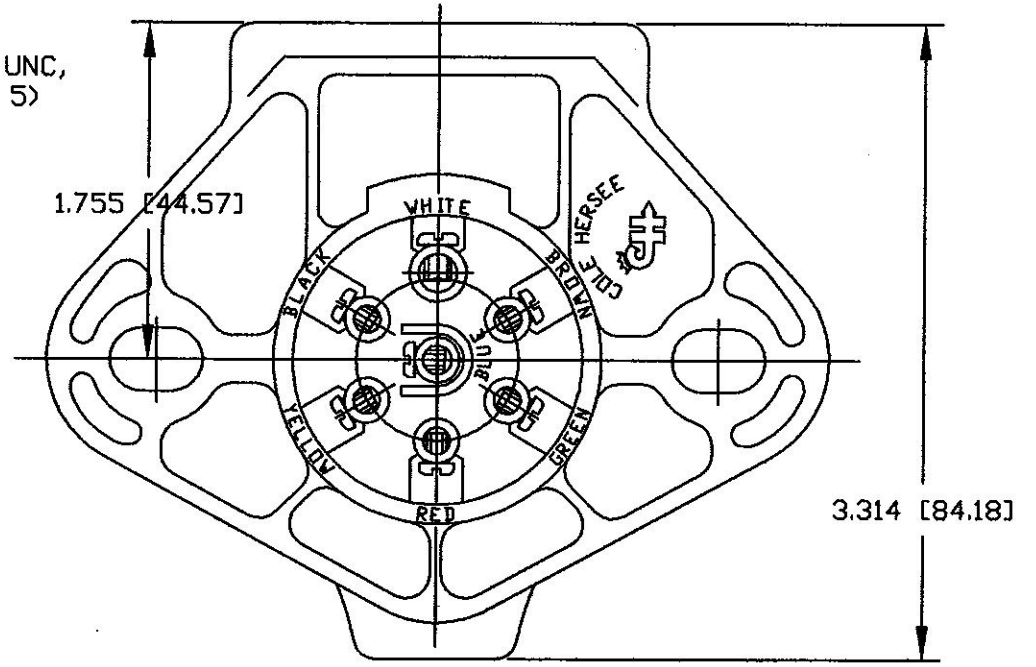
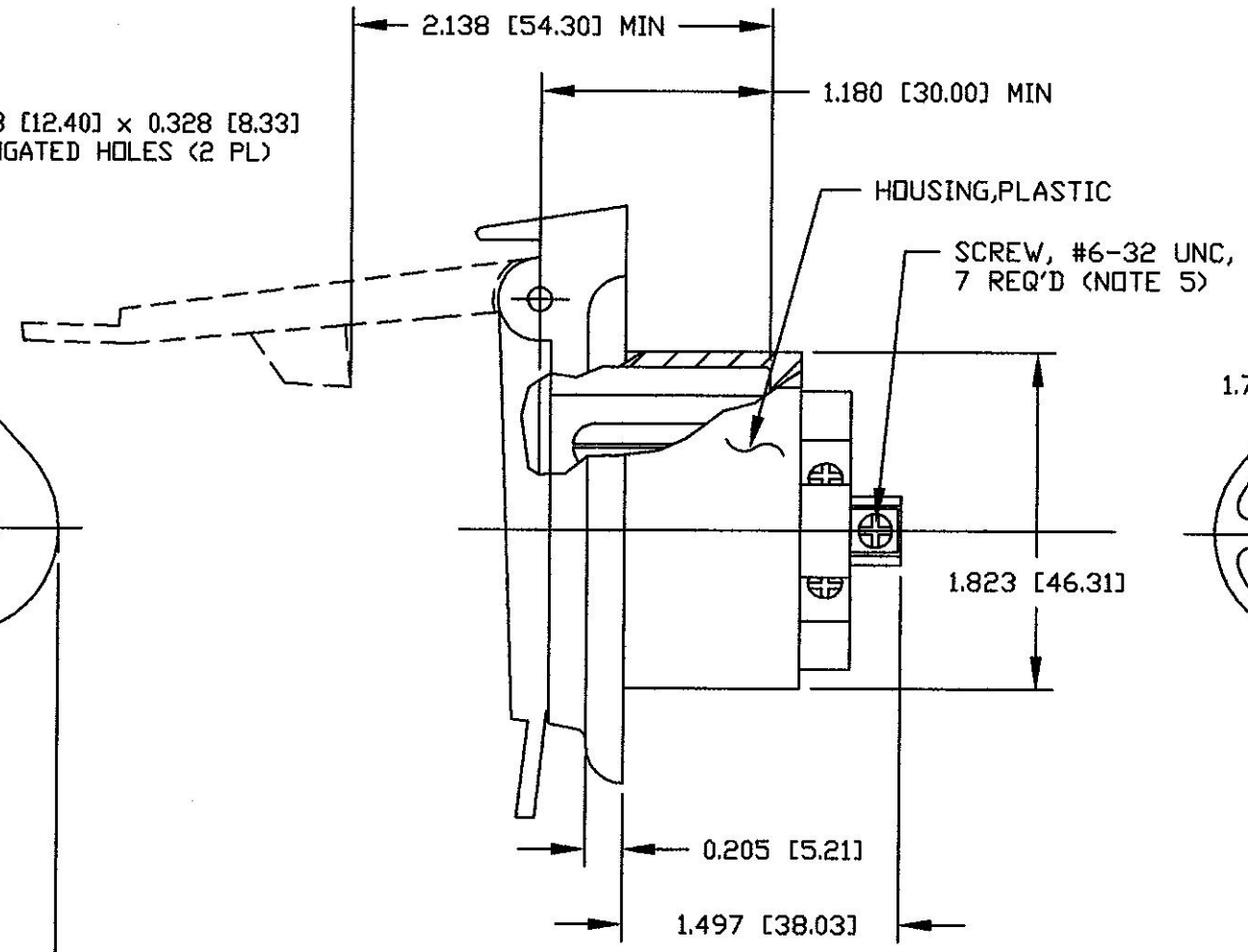
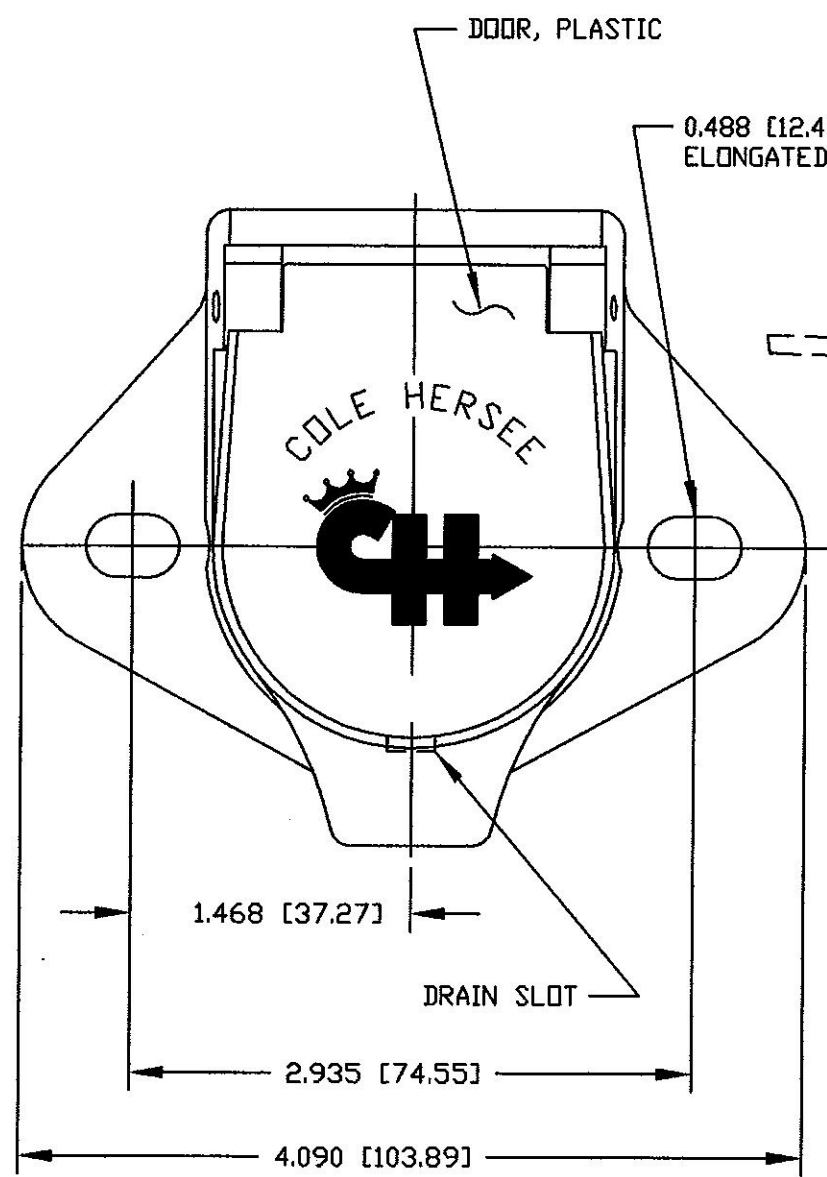
**Cole Hersee Co.**  
 20 Old Colony Ave., South Boston, MA, 02127  
 Phn: 617-268-2100 Web: www.colehersee.com

**Description:** 7 POLE CONN SKT

Drawing / Part No.: **12080** Current Rev.: **J**

**Revision Control Record**

| Rev. | Description of Change | ECN No. | Date     |
|------|-----------------------|---------|----------|
| G    | AUTOCAD               | 08175   | 06/08/06 |
|      |                       |         |          |
|      |                       |         |          |



- NOTES:
1. TERMINAL WILL ACCEPT UP TO 8.0mm<sup>2</sup> WIRE LEAD AT GROUND TERMINAL & 5.0 mm<sup>2</sup> WIRE LEADS AT ALL OTHER TERMINALS.
  2. SPLIT PIN TYPE - PLAIN BRASS
  3. CAN BE USED AS REPLACEMENT FOR ISO STD. TYPE 24N 24 VOLTS
  4. ALL DIMENSIONS WITHOUT TOLERANCE ARE REFERENCE
  5. SCREW TIGHTENING TORQUE 0.9 Nm (8 LB-IN) MAX.

| CONDUCTOR NUMBER | WIRE COLOR | LAMPS, SIGNAL CIRCUITS                                  |
|------------------|------------|---|
| 7                | BLUE       | AUXILIARY   |
| 6                | BROWN      | TAIL CLEARANCE, SIDE MARKER LAMPS & LICENCE PLATE LAMPS |
| 5                | GREEN      | RIGHT HAND TURN SIGNAL & HAZARD SIGNAL                  |
| 4                | RED        | STOP LAMP & ANTI-LOCK DEVICES                           |
| 3                | YELLOW     | LEFT HAND TURN SIGNAL & HAZARD SIGNAL                   |
| 2                | BLACK      | CLEARANCE, SIDE MARKER & IDENT. LAMP                    |
| 1                | WHITE      | GROUND, RETURN TO TOWING VEHICLE                        |

**Tolerances.** Unless otherwise specifically noted, the following are default tolerances:  
 • 2-place Decimal Dimensions  $\pm .02$ "  
 • 3-place Decimal Dimensions  $\pm .005$ "  
 • Angular Dimensions  $\pm 1.0$  Deg.  
 • Metric: Refer to equivalent English Dimension Tolerance  
 >>> NOTE: All tolerances are Non-Cumulative. <<<

**Dimensional Units.** All dimensions are expressed in inches except those shown in brackets (xxx) are expressed in millimeters

\*REF\* or an Asterisk (\*) = Non-Toleranced Reference Dimension, shown for clarification purposes only.

**PROPRIETARY INFORMATION.** This Engineering Drawing, and the information contained herein, is proprietary to Cole Hersee Company and may not be disclosed, re-produced, or in any other way transferred or communicated to any other party without the express written consent of an authorized representative of Cole Hersee Company.

**DESIGN CONTROL.** It is the responsibility of the individual using/referencing this drawing to assure that the noted design revision level agrees with the revision level of the Controlled Document (Master Drawing). This is a NON-CONTROLLED DOCUMENT unless otherwise specifically noted.

**DO NOT SCALE** - Dimensional variation may occur during printing/ reproduction.

**Special Characteristics:**

- ⬠ Critical Characteristic, relating to Safety and/or Regulatory Compliance
- X Significant Characteristic relating to Process Control (SPC)
- Ⓞ Control Dimension relating to Form - Fit - Function as defined by Cole Hersee Company and/or the Customer

(Note that the identification of any Characteristics as being "Special" does not alter the requirement that ALL specified dimensions & tolerances must be met.)

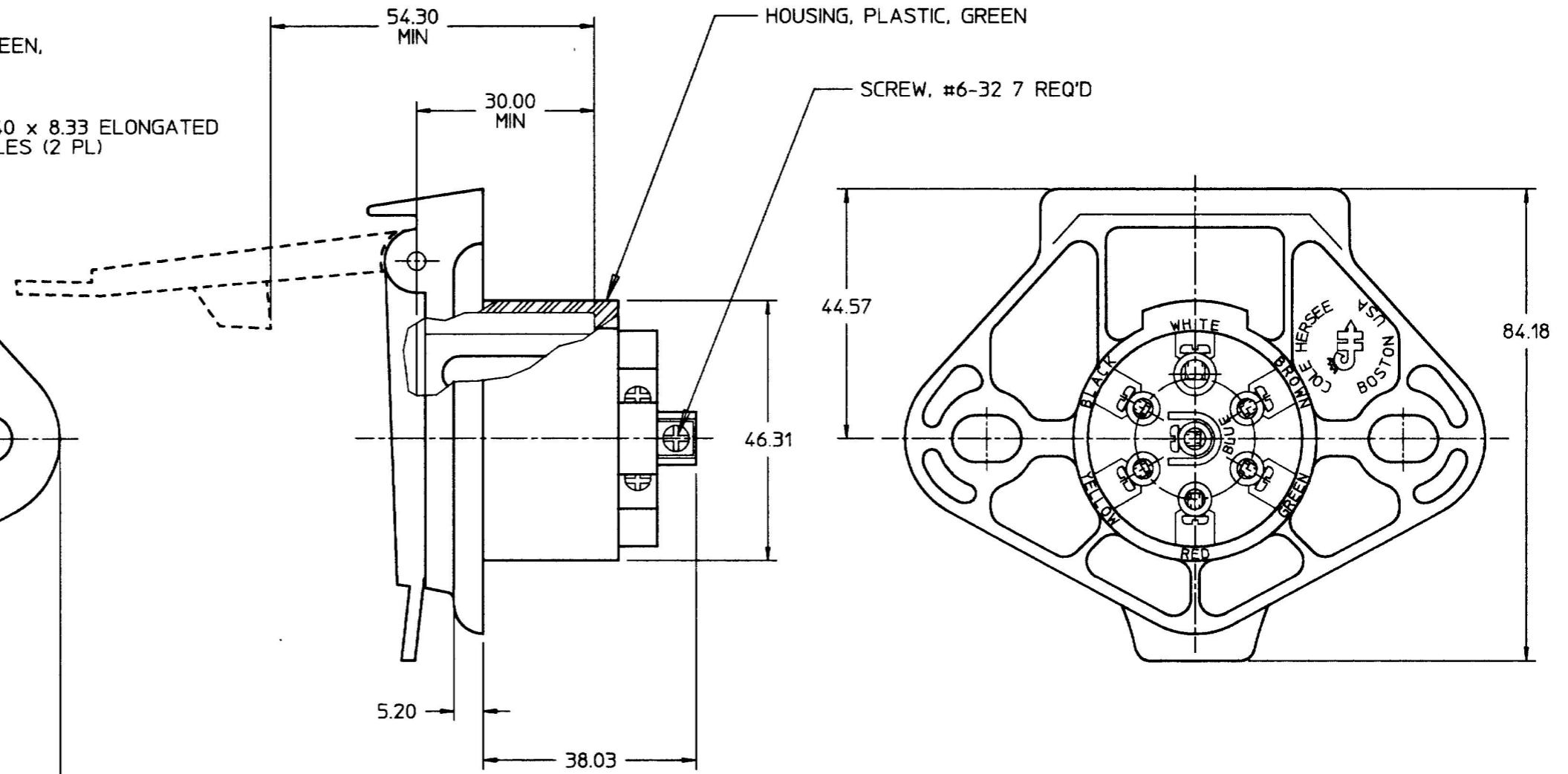
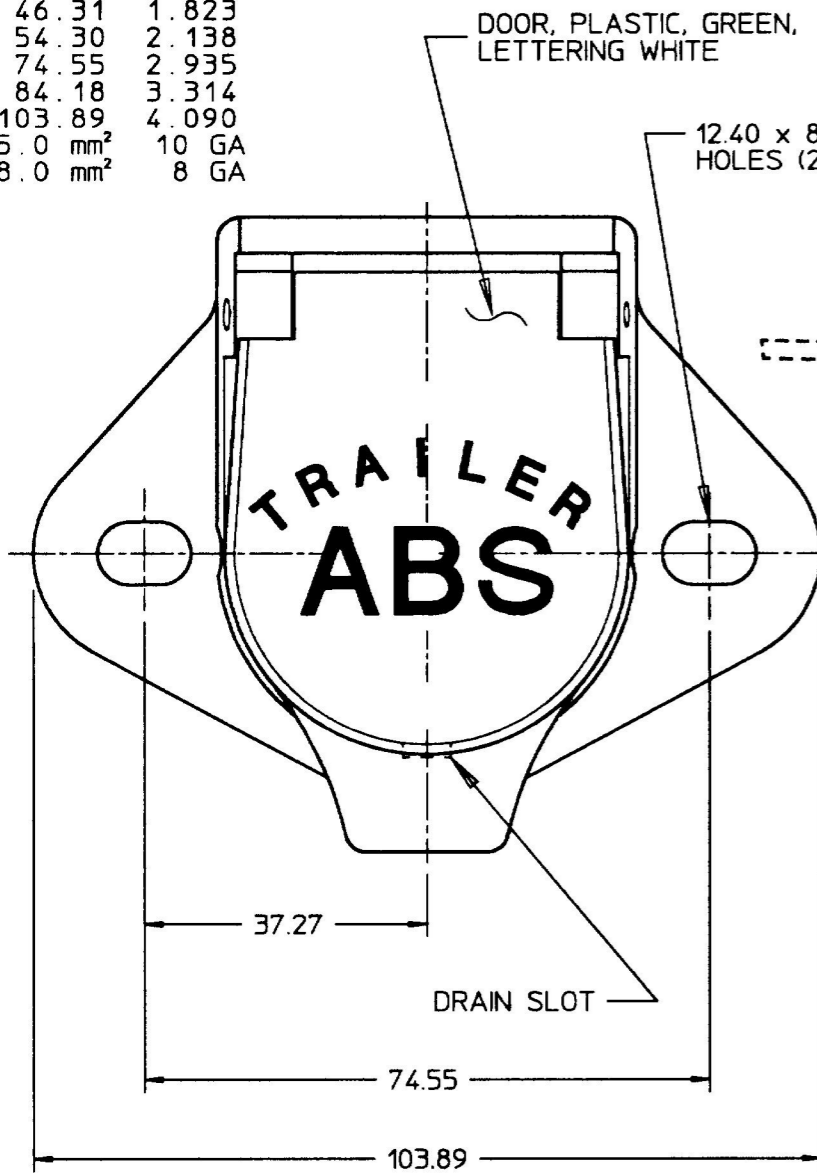
**Cole Hersee Co.**  
 20 Old Colony Ave., South Boston, MA, 02127  
 Phn: 617-288-2100 Web: www.colehersee.com

**Description:** 7 POLE CONN SKT

**Drawing / Part No.:** 12080-01

**Current Rev.:** G

| MM                  | IN    |
|---------------------|-------|
| 5.20                | 0.205 |
| 8.33                | 0.328 |
| 12.40               | 0.488 |
| 30.00               | 1.181 |
| 37.27               | 1.467 |
| 38.03               | 1.497 |
| 44.57               | 1.754 |
| 46.31               | 1.823 |
| 54.30               | 2.138 |
| 74.55               | 2.935 |
| 84.18               | 3.314 |
| 103.89              | 4.090 |
| 5.0 mm <sup>2</sup> | 10 GA |
| 8.0 mm <sup>2</sup> | 8 GA  |



|           |            |   |
|-----------|------------|---|
| 7         | BLUE       | AUXILIARY   |
| 6         | BROWN      | TAIL CLEARANCE, SIDE MARKER LAMPS & LICENSE PLATE LAMPS |
| 5         | GREEN      | RING HAND TURN SIGNAL & HAZARD SIGNAL                   |
| 4         | RED        | STOP LAMP AND ANTI-LOCK DEVICES                         |
| 3         | YELLOW     | LEFT HAND TURN SIGNAL & HAZARD SIGNAL                   |
| 2         | BLACK      | CLEARANCE, SIDE MARKER & IDENT. LAMP                    |
| 1         | WHITE      | GROUND, RETURN TO TOWING VEHICLE                        |
| COND. NO. | WIRE COLOR | LAMPS, SIGNAL CIRCUITS                                  |

- NOTES:
1. ALL DIMENSIONS WITHOUT TOLERANCE ARE REFERENCE
  2. ALL STEEL PARTS PLATED
  3. TERMINAL WILL ACCEPT UP TO 8.0 mm<sup>2</sup> WIRE LEAD AT GROUND TERMINAL & 5.0 mm<sup>2</sup> WIRE LEADS AT ALL OTHER TERMINALS
  4. SOLID PIN TYPE-PLAIN BRASS
  5. SCREWS TO WITHSTAND 0.9Nm (8 IN-LBS)

METRIC

| LET. | WAS | DATE | BY | LET. | WAS        | DATE    | BY  | MATERIAL   | DRAWN  | CHK | APVD | SCALE | DATE DRAWN       |
|------|-----|------|----|------|------------|---------|-----|------------|--|-----|------|-------|------------------|
|      |     |      |    |      |            |         |     |            | CHW  | PS  |      | 1:1   | 5/16/97          |
|      |     |      |    |      |            |         |     | FINISH     | <b>Cole Hersee Co.</b><br>20 OLD COLONY AVENUE, BOSTON, MA., U.S.A., 02127 |     |      |       | DATE BLUEPRINTED |
|      |     |      |    | A    | ECN #26999 | 9/5/97  | AJS | TOLERANCES | 7 POLE CONN SKT  |     |      |       | 12080-11         |
|      |     |      |    |      | ISSUED     | 6/11/97 | AF  | DECIMAL ±  |  |     |      |       |                  |
|      |     |      |    |      |            |         |     | ANGLE ±    |  |     |      |       |                  |

DO NOT SCALE