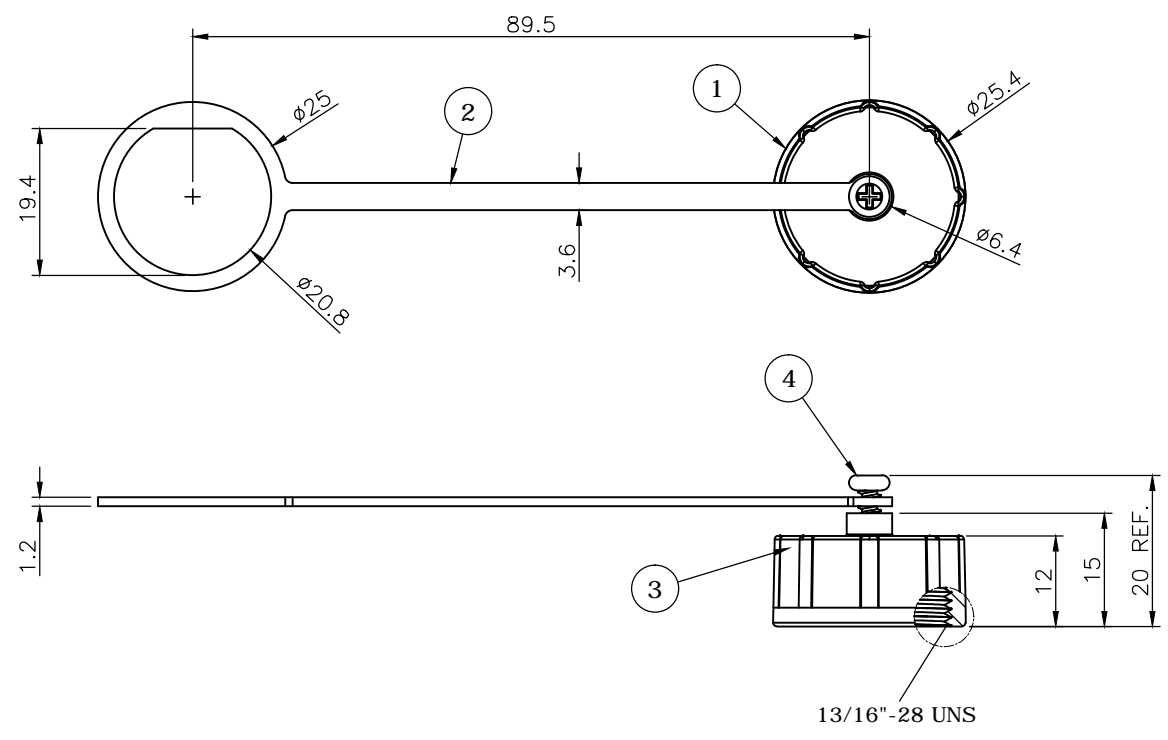


REV.	DESCRIPTION	DRAWN	DATE
1	INITIAL RELEASE	FROS	2019/01/29



4	SCREW	STEEL	
3	GASKET	SILICON	
2	LEAD	PVC	
1	CAP	PA66	
NO.	PART NAME	DESCRIPTION	
UNLESS OTHERWISE SPECIFIED TOLERANCE			
UNIT:	DECIMAL	LINEAR	ANGLES
mm	X.	±0.50	±5°
	X.X	±0.25	±3°
	X.XX	±0.12	±1°
DRAWN		Fros	2019/01/29
CHECKED		Tim	2019/01/29
APPROVED		Ken	2019/01/29
SCALE		1/1	SHEET 1/1
SIZE		A4	FILE NAME
DRAWN NAME:		Waterproof Connector Dust Cap. 13/16-28UNS For 222A-03002	
PRODUCT NO.		222-0004	
SCALE		1/1	
SHEET		1/1	
SIZE		A4	
FILE NAME		222-0004_B_1	



www.attend.com.tw