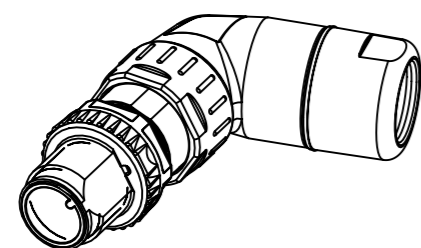
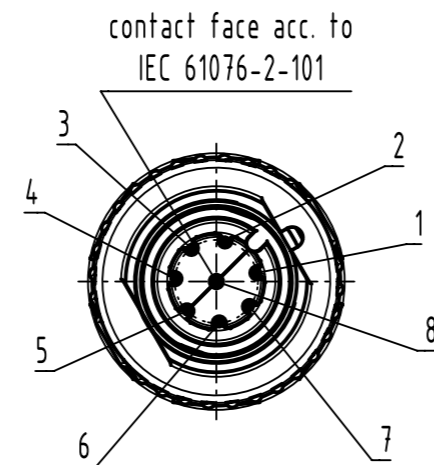


Z (2:1)



order contacts separately

wire gauge	part-no contact
AWG 26-23	21 01 100 9020

	All rights reserved Department EL PD	All Dimensions in mm Original Size DIN A3		Scale 1:1	Free size tol.	Ref. Sub.
		Created by SERBANA	Inspected by FARCASIU	Standardisation ROEBEN	Date 2023-09-21	State Final Release
HARTING D-32339 Espelkamp		Title M12-SD-CC-CRIMP-8P-ACOD-M-ANG-CF			Doc-Key / ECM-Nr. 100763543/UGD/002/G 50000253492	
		Type TB	Number 21038213807		Rev. G	Page 1/1