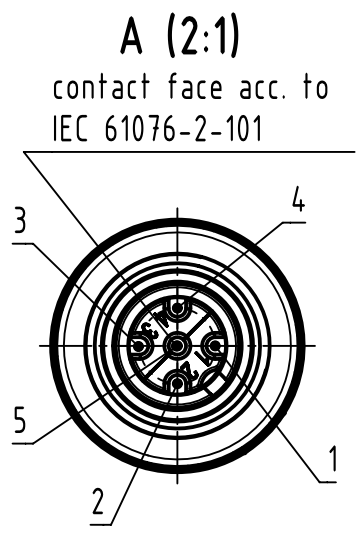
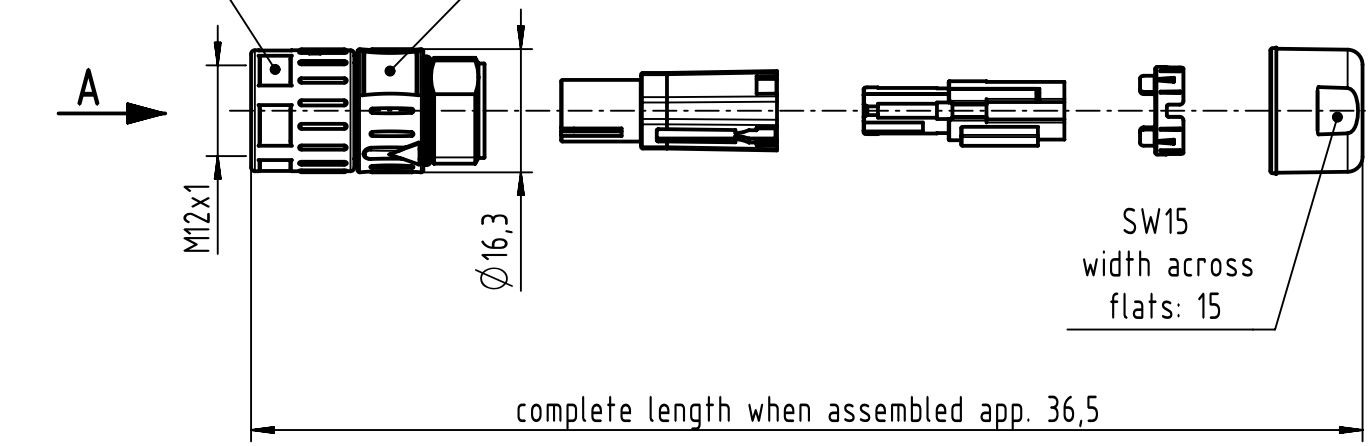


SW15  
width across  
flats: 15

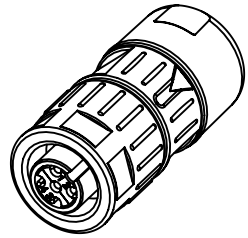
assembly aid enclosed

SW14  
width across  
flats: 14



order contacts separately

wire gauge	part-no contact
AWG 22-18	09 67 000 3476
AWG 24-20	09 67 000 8476
AWG 26-22	09 67 000 5476



	All rights reserved Department EL PD	All Dimensions in mm Original Size DIN A4	Scale 1:1	Free size tol.		Ref.
		HARTING D-32339 Espelkamp	Created by BALSAN	Inspected by FARCASIU	Standardisation ROEBEN	Date 2021-09-13
Title <b>M12 SD female A-coded 4/5-pole for crimp flange</b>						Doc-Key / ECM-Nr. 100761501/UGD/000/D 500000195613
Type <b>TB</b>		Number <b>21038212507</b>		Rev. <b>D</b>	Page 1/1	