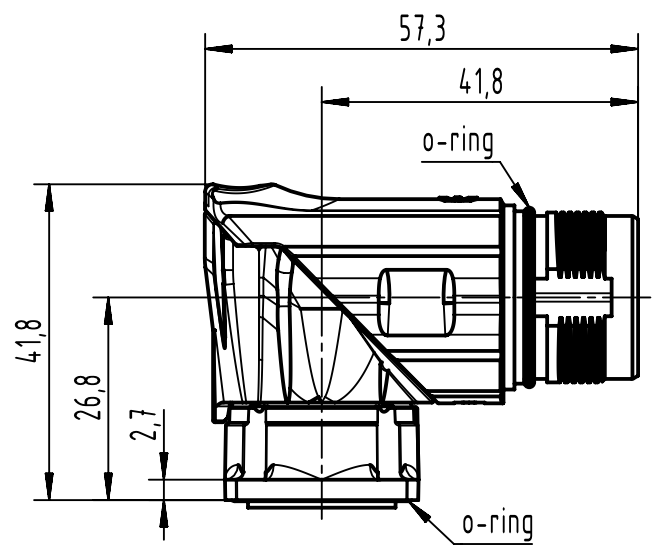
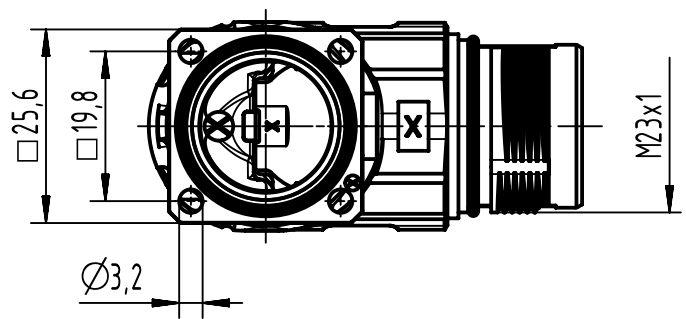
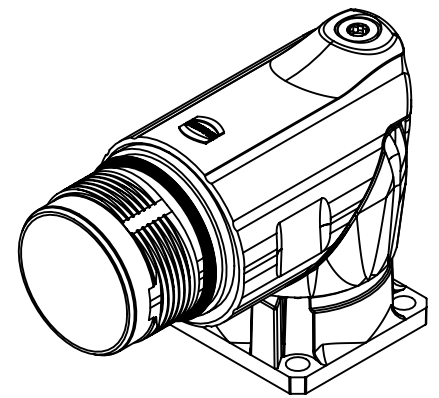
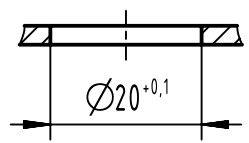
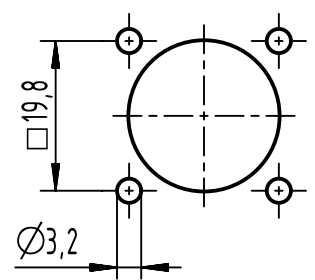


panel cut out



	All rights reserved Department EL PD	All Dimensions in mm Original Size DIN A4		Scale 1:1	Free size tol.	Ref. Sub.
		Created by BUSSMANN	Inspected by EISFELD	Standardisation SAP_WFRT	Date 2022-09-01	State Final Release
HARTING D-32339 Espelkamp		Title M23 P HBMA - rotatable 25x25 3,2mm			Doc-Key / ECM-Nr. 100736288/UGD/001/C 500000224545	
		Type TB	Number 09156000902		Rev. C	Page 1/1