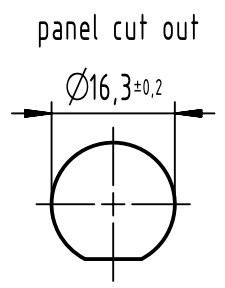
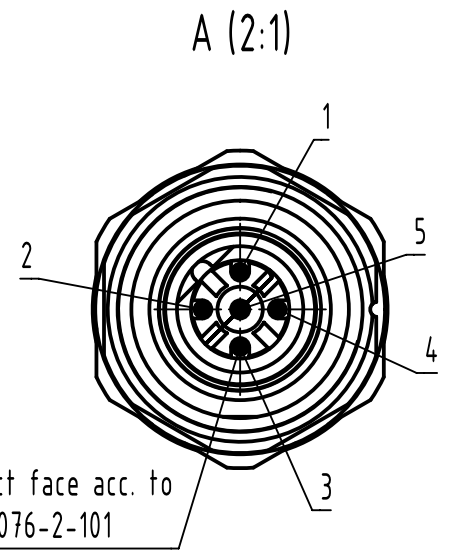
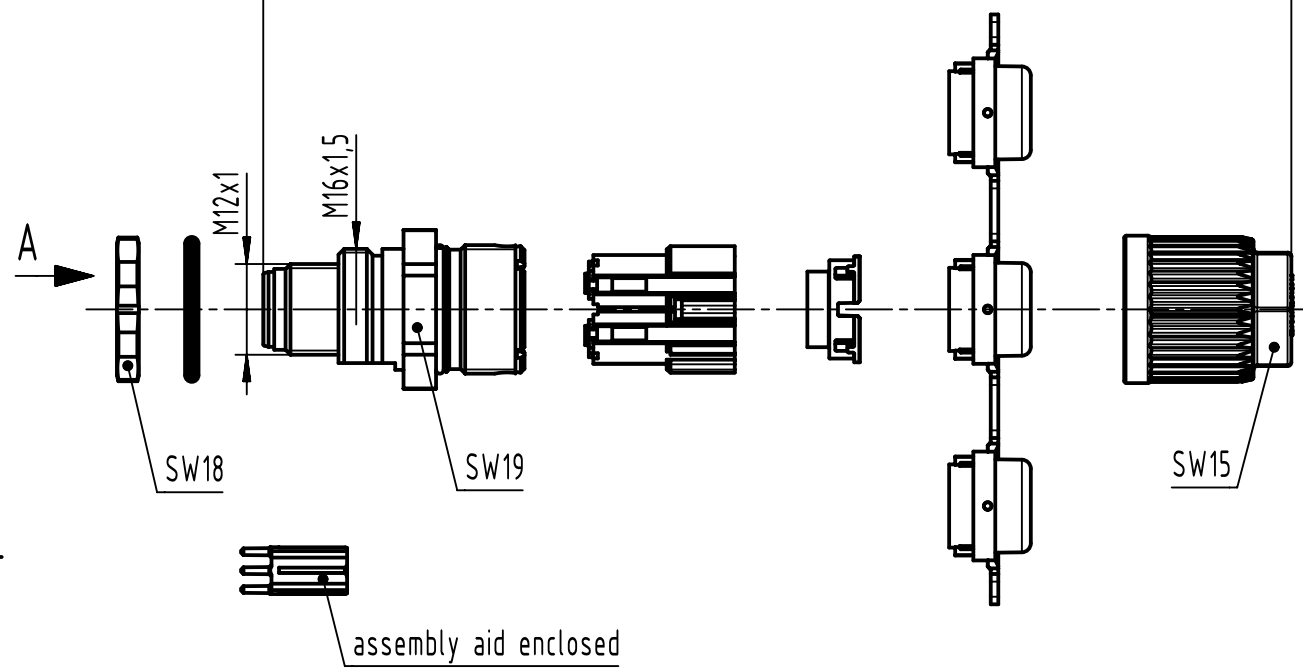
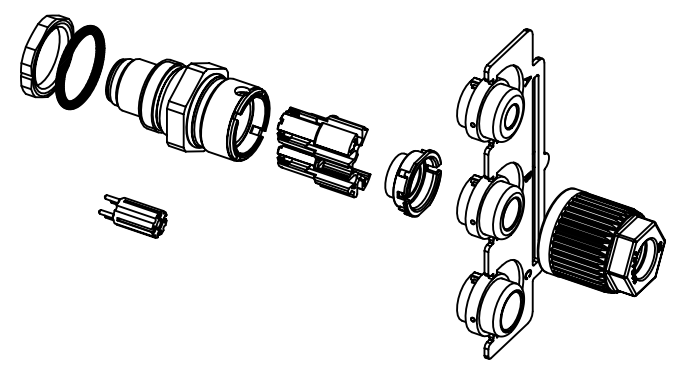


complete length when assembled app. 44.9mm



order contacts separately

cable Ø	wire gauge	part-no.
4.5 - 8.8mm	AWG 26-22	09670005576
	AWG 24-20	09670008576
	AWG 22-18	09670003576



	All Dimensions in mm Original Size DIN A4	Scale 1:1	Free size tol.		Ref. Sub.	
	All rights reserved Department EL PD	Created by HASSEBROCKS	Inspected by 104.122	Standardisation	Date 2022-11-23	State Final Release
HARTING D-32339 Espelkamp		Title HARTING M12 PFT crimp male B-coded 5-pole			Doc-Key / ECM-Nr. 100205968/UGD/002/K 500000231065	
		Type TB	Number 21038411525		Rev. K	Page 1/1