

complete length when assembled 41,5mm

width across flats 18
SW18

M12x1

M16x1,5

width across flats 19
SW19

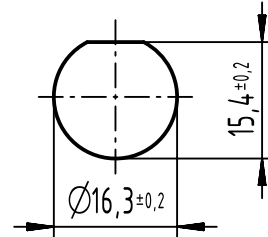
assembly aid enclosed

width across flats 15
SW15

A (2:1)

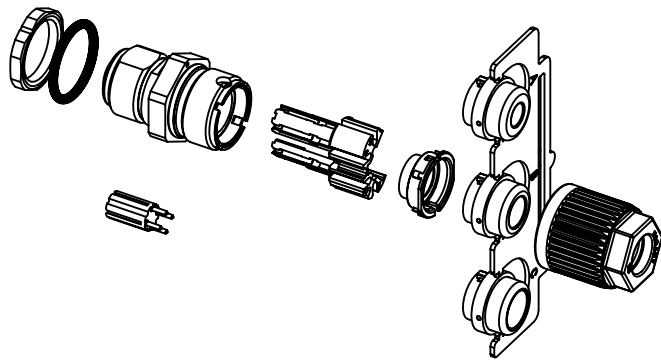
contact face acc. to IEC 61076-2-101

panel cut out



order contacts separately

cable \varnothing	wire gauge	part-no.
4.5 - 8.8mm	AWG 26-22	09670005476
	AWG 24-20	09670008476
	AWG 22-18	09670003476



	All Dimensions in mm Original Size DIN A4	Scale 1:1		Free size tol.		Ref.			
		Created by BUSSMANN		Inspected by HASSEBROCKS		Standardisation		Date 2023-03-14	
All rights reserved Department EL PD		Title HARTING M12 crimp PFT female B-coded 5-pole				State Final Release		Doc-Key / ECM-Nr. 100205969/UGD/002/L 500000239463	
HARTING D-32339 Espelkamp		Type TB		Number 21038412525		Rev. L		Page 1/1	