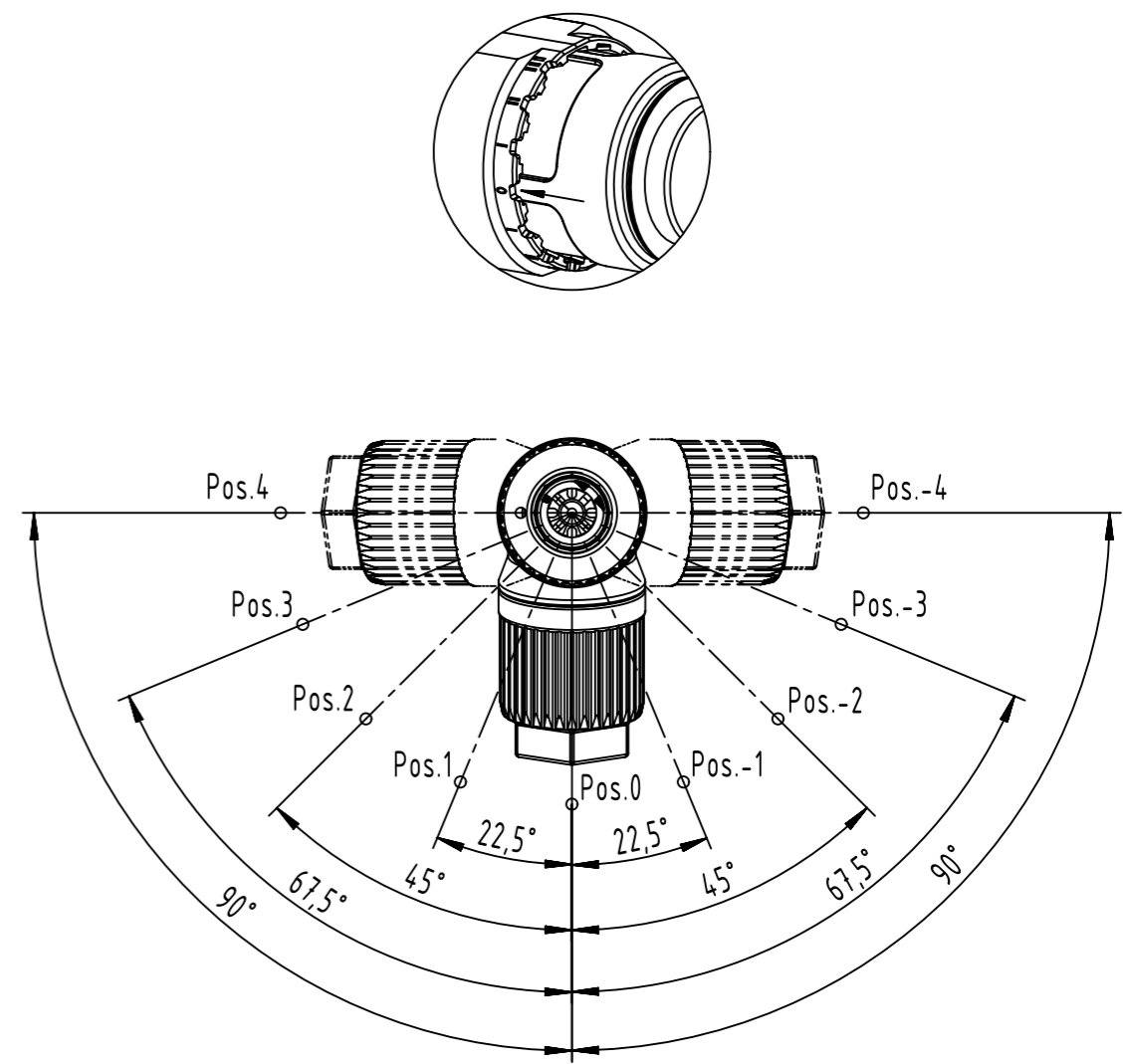
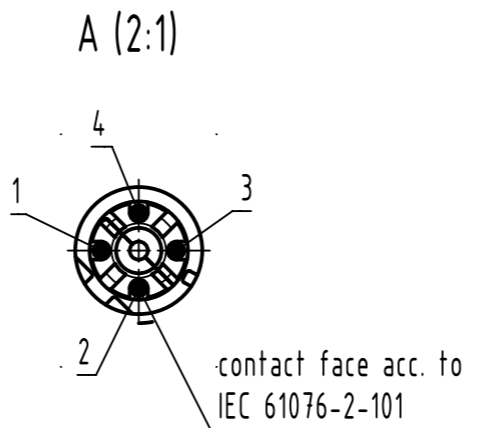


Positions of cable direction  
exemplary: Position 0



order contacts separately

cable	wire gauge		part-no.
4.5-8.8mm	0.25-0.50mm <sup>2</sup>	AWG 24-20	09 67 000 8576
	0.14-0.34mm <sup>2</sup>	AWG 26-22	09 67 000 5576
	0.34-0.75mm <sup>2</sup>	AWG 22-18	09 67 000 3576



	All rights reserved		Scale 1:1	Free size tol.	Ref.	
	Department EL PD		Created by 105120	Inspected by HASSEBROCKS	Standardisation	Sub.
HARTING D-32339 Espelkamp		Title HARTING M12 crimp angled male D-coded 4-pole			Date 2023-08-01	State Final Release
		Type TB	Number 21038823405		Doc-Key / ECM-Nr. 100518241/UGD/004/N 500000250867	
					Rev. N Page 1/1	