

Ø 4 mm stackable plugs and test leads

Test & Measureline | Test & Measurement

EN



STÄUBLI ELECTRICAL CONNECTORS

Long-term solutions – Expert connections



Stäubli Electrical Connectors is a leading international manufacturer of high-quality electrical contacts and connector systems and solutions for industrial applications. We are part of the Stäubli mechatronics group, the technology leader in connection solutions, robotics and textile machinery.

Pioneering contact technology for increased efficiency

The entire Stäubli Electrical Connectors product range meets market expectations for high performance, the highest number of mating cycles, and long-lasting reliability for safe, durable operation. Our proven **MULTILAM technology** is ideal for all types of connections in industrial applications.

Customers in the **power transmission and**

Stäubli develops, produces, sells and services products for markets with the highest productivity and safety standards. As recognized specialists, our focus is always on solutions and customers. Many new developments got their start here and are now becoming established as worldwide standards.

distribution sector rely on our consistent, loss-free transmission performance in all voltage ranges. The **automotive industry** depends on our high-efficiency connections for spot-welding applications in production lines. Harsh conditions in the **transportation sector** require high vibration resistance, maximum reliability, and compact design. These attributes are vitally important for railway and e-mobility applications. The safety

Our customers depend on our expertise and our active support, even when dealing with unusual challenges. With Stäubli, you're entering into a long-term partnership built on reliability, dedication, and exceptional quality in both products and services.

and reliability of our products are essential for **test and measurement technology**.

In the growing field of **alternative energy**, our products have been setting standards since the 1990s. About half of the solar energy generated worldwide is transmitted through safe, long-lasting, high-performance Stäubli connectors.

Applications and advantages



In this brochure we present to you our broad array of test leads with stackable plugs on both sides in a new design, enhanced by our new stackable plugs for customer self-assembly of test leads.

The stackable plugs have a rear socket (tap socket) that enables cascading and additional connection of several test leads. This feature is required in particular in training facilities or in test benches with breakout boxes, where signal distribution and simultaneous measurement is very important. Stäubli

test leads are also used in many other fields of electrical engineering.

The safety test leads are designed in accordance with IEC/EN 61010-031 and also have UL certification for the North American market. The additional cable wear indicator completes the safety test lead profile.

Given the growing importance of the E-Mobility and Battery sector, the color orange has been added to our safety portfolio as a standard color. Having eleven standard

colors and six different standard lengths means a complete portfolio tailored to the customer.

Additional information on the complete portfolio, features, and videos can be found under: www.staubli-test-measurement.com



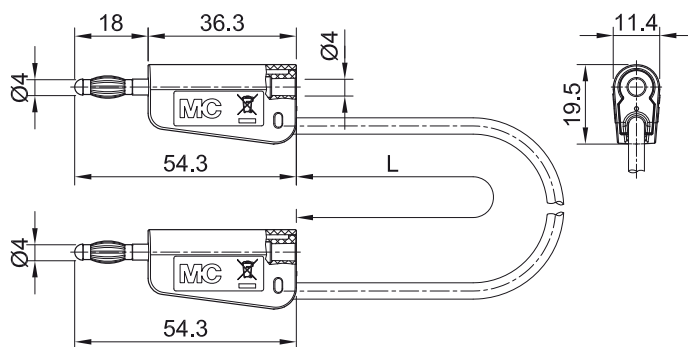
Ø 4 MM SYSTEM

Test leads with stackable plugs

Test leads LK-4...

Highly flexible, with insulation in PVC or silicone with stackable Ø 4 mm MULTILAM plugs.

LK-4...



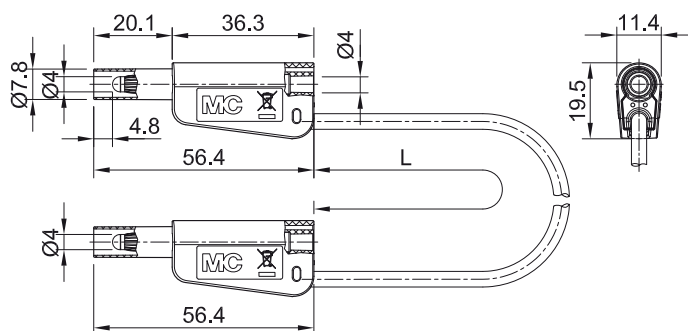
Order No.	Type	Rated voltage/current	Lead		Lead lengths L [cm]	*Standard colors
64.1032-□*	LK-4N-S10	AC 30 V/19 A DC 60 V/19 A	SIL 1.0 mm ²	Ni	025 050 075	20 21 22 23 24
64.1033-□*	LK-4A-S10			Au	100 150 200	25 26 27 28 29
64.1036-□*	LK-4N-S25	AC 30 V/32 A DC 60 V/32 A	SIL 2.5 mm ²	Ni	025 050 075	20 21 22 23 24
64.1037-□*	LK-4A-S25			Au	100 150 200	25 26 27 28 29
64.1030-□*	LK-4N-F10	AC 30 V/19 A DC 60 V/19 A	PVC 1.0 mm ²	Ni	025 050 075	20 21 22 23 24
64.1031-□*	LK-4A-F10			Au	100 150 200	25 26 27 28 29
64.1034-□*	LK-4N-F25	AC 30 V/32 A DC 60 V/32 A	PVC 2.5 mm ²	Ni	025 050 075	20 21 22 23 24
64.1035-□*	LK-4A-F25			Au	100 150 200	25 26 27 28 29

Test leads SLK-4...

Highly flexible, with insulation in PVC or silicone with stackable Ø 4 mm MULTILAM

plugs with rigid insulating sleeve on both ends.

SLK-4...



Order No.	Type	Rated voltage/current	Lead		Lead lengths L [cm]	*Standard colors
66.2012-□*	SLK-4N-S10	1000 V, CAT II/19 A 600 V, CAT III/19 A	SIL 1.0 mm ²	Ni US	025 050 075 100 150 200	
66.2013-□*	SLK-4A-S10			Au US		
66.2016-□*	SLK-4N-S25	1000 V, CAT II/32 A 600 V, CAT III/32 A	SIL 2.5 mm ²	Ni US	025 050 075 100 150 200	
66.2017-□*	SLK-4A-S25			Au US		
66.2010-□*	SLK-4N-F10	1000 V, CAT II/19 A 600 V, CAT III/19 A	PVC 1.0 mm ²	Ni US	025 050 075 100 150 200	
66.2011-□*	SLK-4A-F10			Au US		
66.2014-□*	SLK-4N-F25	1000 V, CAT II/32 A 600 V, CAT III/32 A	PVC 2.5 mm ²	Ni US	025 050 075 100 150 200	
66.2015-□*	SLK-4A-F25			Au US		

Stackable plugs for self-assembly

Plugs LQ-4... LM-4...

Stackable, Ø 4 mm, with spring-loaded MULTILAM, for self-assembly of test leads.

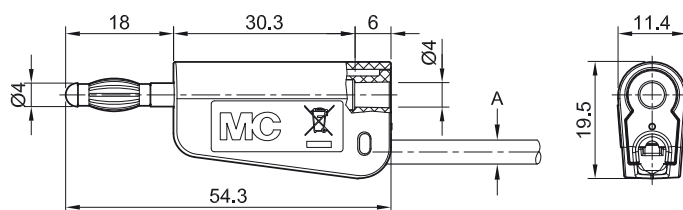
Various types of connection:

LM-4...: Screw connection

LQ-4...: Cross hole for solder connection

LQ-4...

LM-4...



Order No.	Type	Rated voltage/current	Lead (A)			*Standard colors
64.1038-*	LQ-4N-30	AC 30 V/19 A DC 60 V/19 A	<div style="border: 1px solid black; padding: 2px;">PVC</div> Ø 2.7 mm <div style="border: 1px solid black; padding: 2px;">SIL</div> Ø 3.0 mm	1.0 mm ²	Ni	<div style="display: flex; flex-wrap: wrap; gap: 5px;"> <div style="background-color: #ffff00; padding: 2px;">20</div> <div style="background-color: #ff00ff; padding: 2px;">21</div> <div style="background-color: #ff0000; padding: 2px;">22</div> <div style="background-color: #0000ff; padding: 2px;">23</div> <div style="background-color: #ffff00; padding: 2px;">24</div> <div style="background-color: #00ff00; padding: 2px;">25</div> <div style="background-color: #ff00ff; padding: 2px;">26</div> <div style="background-color: #ff0000; padding: 2px;">27</div> <div style="background-color: #0000ff; padding: 2px;">28</div> <div style="background-color: #ffff00; padding: 2px;">29</div> </div>
64.1039-*	LQ-4A-30				Au	
64.1040-*	LM-4N-30				Ni	
64.1041-*	LM-4A-30				Au	
64.1042-*	LQ-4N-39	AC 30 V/32 A DC 60 V/32 A	<div style="border: 1px solid black; padding: 2px;">PVC</div> Ø 3.6 mm <div style="border: 1px solid black; padding: 2px;">SIL</div> Ø 3.9 mm	2.5 mm ²	Ni	<div style="display: flex; flex-wrap: wrap; gap: 5px;"> <div style="background-color: #ffff00; padding: 2px;">20</div> <div style="background-color: #ff00ff; padding: 2px;">21</div> <div style="background-color: #ff0000; padding: 2px;">22</div> <div style="background-color: #0000ff; padding: 2px;">23</div> <div style="background-color: #ffff00; padding: 2px;">24</div> <div style="background-color: #00ff00; padding: 2px;">25</div> <div style="background-color: #ff00ff; padding: 2px;">26</div> <div style="background-color: #ff0000; padding: 2px;">27</div> <div style="background-color: #0000ff; padding: 2px;">28</div> <div style="background-color: #ffff00; padding: 2px;">29</div> </div>
64.1043-*	LQ-4A-39				Au	
64.1044-*	LM-4N-39				Ni	
64.1045-*	LM-4A-39				Au	



Assembly instructions MA167

www.staubli.com/electrical

Plugs SLQ-4... SLM-4...

Stackable, Ø 4 mm, with spring-loaded MULTILAM, for self-assembly of test leads. With rigid insulating sleeve.

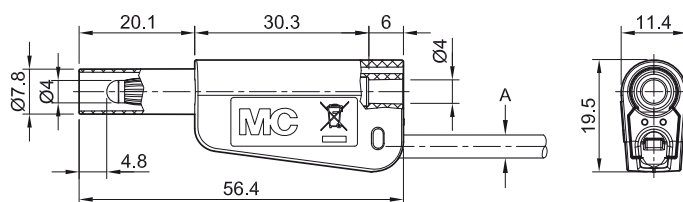
Various types of connection:

SLM-4...: Screw connection

SLQ-4...: Cross hole for solder connection

SLQ-4...

SLM-4...



Order No.	Type	Rated voltage/current	Lead (A)			*Standard colors
66.2018-*	SLQ-4N-39	1000 V, CAT II/19 A 600 V, CAT III/19 A	PVC Ø 3.9 mm SIL Ø 3.9 mm	1.0 mm ²	Ni	
66.2019-*	SLQ-4A-39				Au	
66.2020-*	SLM-4N-39				Ni	
66.2021-*	SLM-4A-39				Au	
66.2022-*	SLQ-4N-46	1000 V, CAT II/32 A 600 V, CAT III/32 A	PVC Ø 3.9 mm SIL Ø 4.6 mm	2.5 mm ²	Ni	
66.2023-*	SLQ-4A-46				Au	
66.2024-*	SLM-4N-46				Ni	
66.2025-*	SLM-4A-46				Au	



Assembly instructions MA167

www.staubli.com/electrical



● Stäubli Units ○ Representatives/Agents

Global presence of the Stäubli Group

www.staubli.com