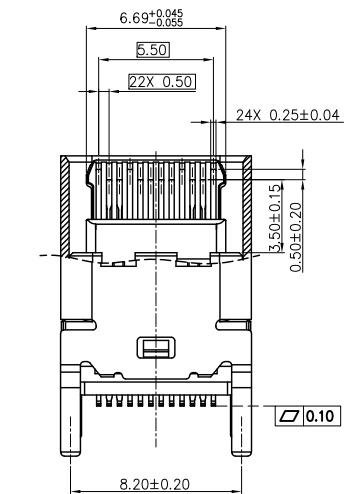
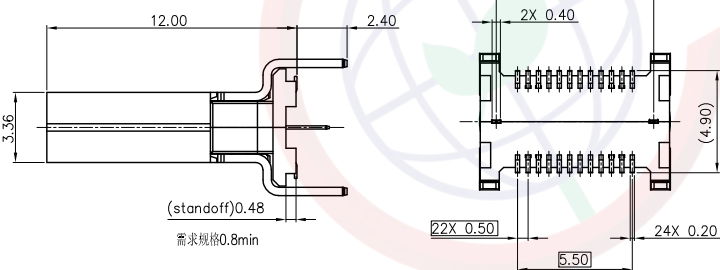
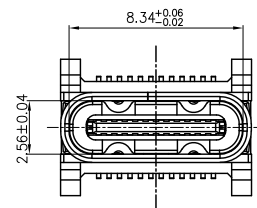
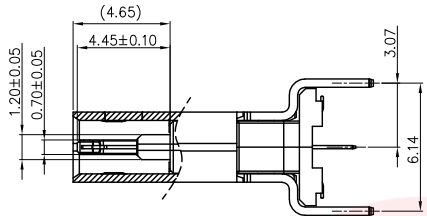
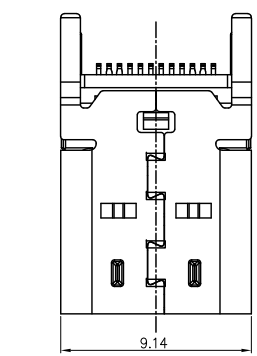


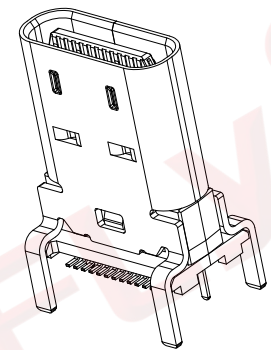
Dept	
Qty	
DC	1
ED	1
IE	1
ISO	1
PD	1
R&D	1
SD	1
QA	1
QC	1
QE	1

The information provided herein is from CONNFLY Electronic Co., Ltd. and is confidential. Any disclosure to a party other than the recipient is prohibited. The intellectual properties and its rights contained herein, including but not limited to trademarks, patents, copyrights, trade secrets, and technical know-how, are owned exclusively by CONNFLY or its affiliates. Unauthorized use or modification is strictly prohibited without the prior written consent of CONNFLY. CONNFLY reserves the right to make changes to this drawing without notice. CONNFLY may enforce its intellectual property rights at its own discretion; failures or delays to exercise such rights does not constitute a waiver of such rights.

REV.	DESCRIPTION	DRAWN	CHECKED	APPROVED
A	NEW RELEASE	JLZ 01/18/21'		



(Series Image-Reference Only)



NOTE:  
 1.MATERIAL:  
 1.1 HOUSING: HIGH TEMPERATURE PLASTIC UL94 V-0; Black Color  
 1.2 CONTACT: COPPER ALLOY. GOLD/Matte Tin PLATED.  
 1.3 SHELL: STAINLESS STEEL, Nickel PLATED.  
 1.4 MID PLATE: STAINLESS STEEL, Nickel PLATED.  
 2.ELECTRICAL CHARACTERISTICS:  
 2.1 CONTACT RESISTANCE: 40mΩ Max FOR INITIAL.  
 50mΩ CHANGE AFTER ENVIRONMENT TEST  
 2.2 CONTACT CURRENT RATING: CONTACT CURRENT RATING:  
 5A FOR COLLECTIVELY POWER SUPPLY PIN(PINA1,A4,A9,A12, B1,B4,B9,B12); 1.25A FOR VCONN PIN; 0.25A FOR OTHER  
 2.3 DIELECTRIC WITHSTANDING VOLTAGE: 100V AC R.M.S.  
 2.4 INSULATION RESISTANCE 100MΩ Min  
 2.5 OPERATING TEMPERATURE: -40°C ~ 85°C  
 3.MECHANICAL CHARACTERISTICS:  
 3.1 MATING FORCE: 5~20 N.  
 3.2 UNMATED FORCE: INITIAL 8~20N; 6~20N AFTER DURABILITY TEST  
 3.3 DURABILITY: 10,000 CYCLES

7.Product number code:  
 DS1144- 44 - X X X X X X X  
 No. of contacts: 24; 24pin  
 Connector type: F: Female  
 Mounting type: S: SMT type  
 Packing Type: R: Tape On Reel  
 Shell Plating: N: Full Nickel  
 Housing color: B: Black  
 Contact Plating: 8: Gold flash

A12	GND	B1	GND
A11	SSRxp2	B2	SSTxp2
A10	SSRxn2	B3	SSTxn2
A9	VBUS	B4	VBUS
A8	SBU1	B5	CC2
A7	Dn1	B6	Dp2
A6	Dp1	B7	Dn2
A5	CC1	B8	SBU2
A4	VBUS	B9	VBUS
A3	SSTxn1	B10	SSRxn1
A2	SSTxp1	B11	SSRxp1
A1	GND	B12	GND
Pin NO.	Signal name	Pin NO.	Signal name

Q5	CAP	LCP	1	Black UL94 V-0
Q4	MOULDING HOUSING	LCP OR PA46	1	Black UL94 V-0
Q3	SHELL	STAINLESS STEEL	1	T=0.40 Plating nickel
Q2	MID PLATE	STAINLESS STEEL	1	T=0.15 Plating nickel
Q1	CONTACT	Copper alloy	2	T=0.12 Au Plated function area, matte Sn plated at solder area.
NO.	VARIETY	MATERIAL	QTY	REMARK

GENERAL TOLERANCE		ANGLE TOLERANCE	
X.	±0.60	X.	±5°
.X	±0.38	.X	±3°
.XX	±0.25	.XX	±2°

PROJECTION		TITLE	USB C Type 24P Female V/T SMT Type
UNITS	mm		H=12.0mm
SHEET SIZE	A4	SERIES	DS1144- 44 SERIES

DRAWING TYPE	CUSTOMER		
SCALE	1:1	SHEET	1 OF 1
DRAWING NO.	C-DS1144- 44-XXXXXX-A		

晨翔电子有限公司  
**CONNFLY CONNFLY ELECTRONIC CO. LTD**