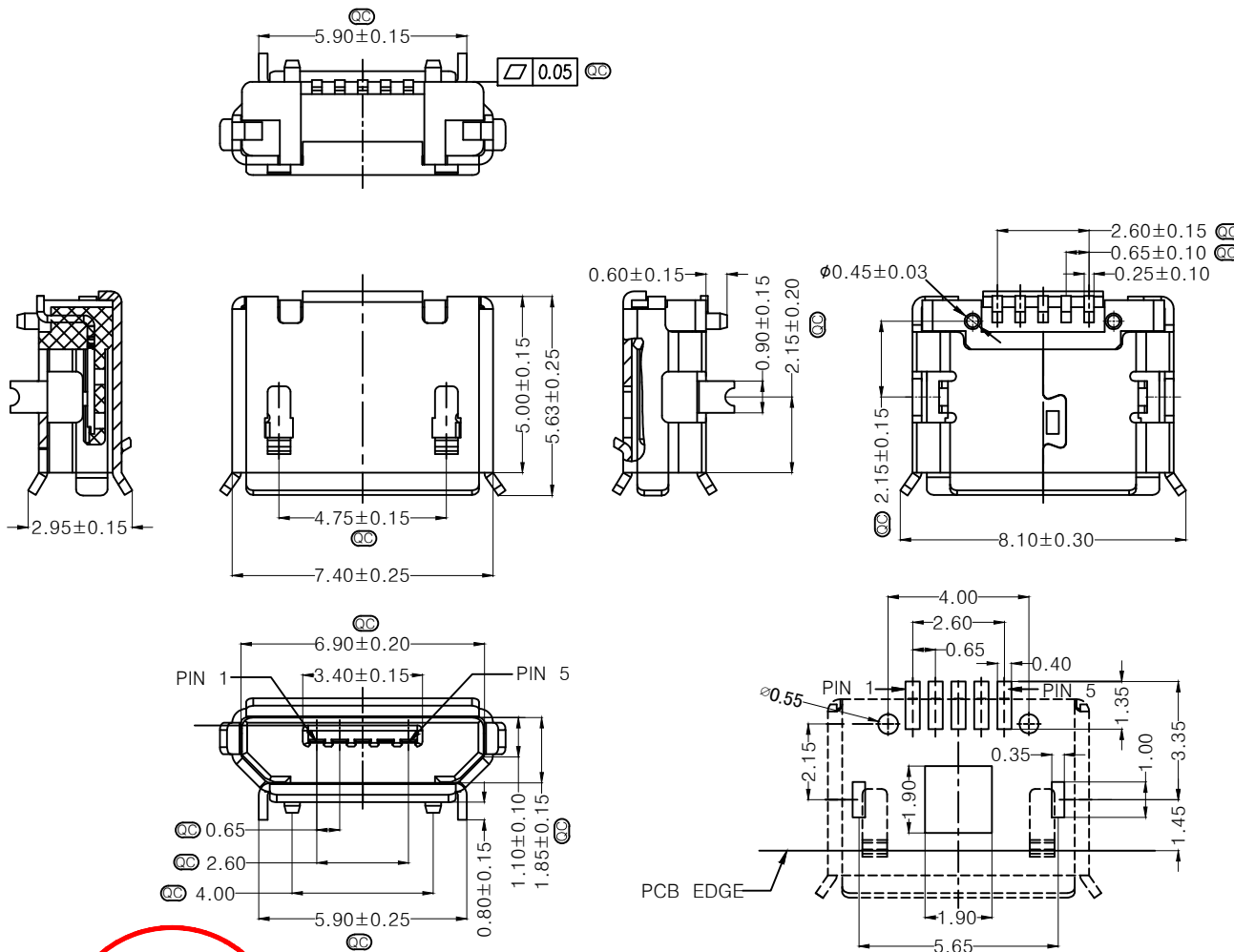


This document contains information confidential and proprietary to LEYCONN and shall not be reproduced or transferred to another document or disclosed to others or used for any purpose other than that for which it was obtained without the express written consent of LEYCONN.

RoHS



Note :

- Material :  
Housing : high temperature thermoplastic with g.f , UL94V-0  
Contact : Copper alloy , t=0.20mm  
Shell : Copper alloy , t=0.25
- Specification :  
Current rating : 1 A Max  
Dielectric withstanding voltage : 100V AC For 1 MIN  
Contact resistance : 50 mΩ  
Insulation resistance : 100MΩ Min  
Total mating force : 3.57 Kgf Max  
Total unmating force : 1.0Kgf Min-2.05 Kgf Min. after 10000 insertion/extraction cycles  
Temperature range : -30°C-80°C

QC Important Dimensions

Part Number:

490 073 000 00W

Series No:

Outline Option:

073

ISSUED  
Leyconn  
CONFIDENTIAL  
2015-05-25

E			Units	mm	Scale	4:1	Drawing By	Date
D			Tolerance Unless				Nick-Yin	2016/05/25
C			Otherwise Specified				Revised By	Date
B			.X	~	±0.30		Hui-Wen	2016/05/25
A	RELEASED	25/05/16	.XX	~	±0.25		Approval By	Date
REV	DESCRIPTION.	Date	.XXX	~	±0.20		Kirby-Xiao	2016/05/25
			Angle	~	± 3°			

Leyconn

Http://www.leyconn.com

LEYCONN ELECTRONICS CO.,LTD.

深圳市联益康电子有限公司

TEL: +86(755)26078616 FAX: 26070522

Sheet

1 of 1

Third Angle Projection



Title

USB-MICRO-5P 前插后贴

Part No.

49007300000W

REV

A