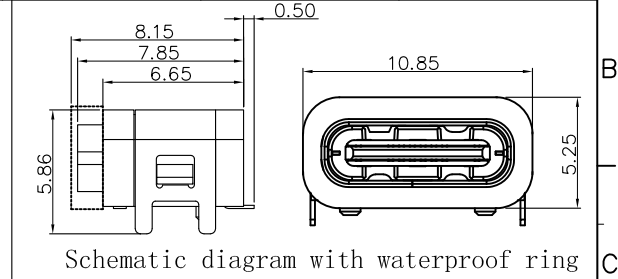
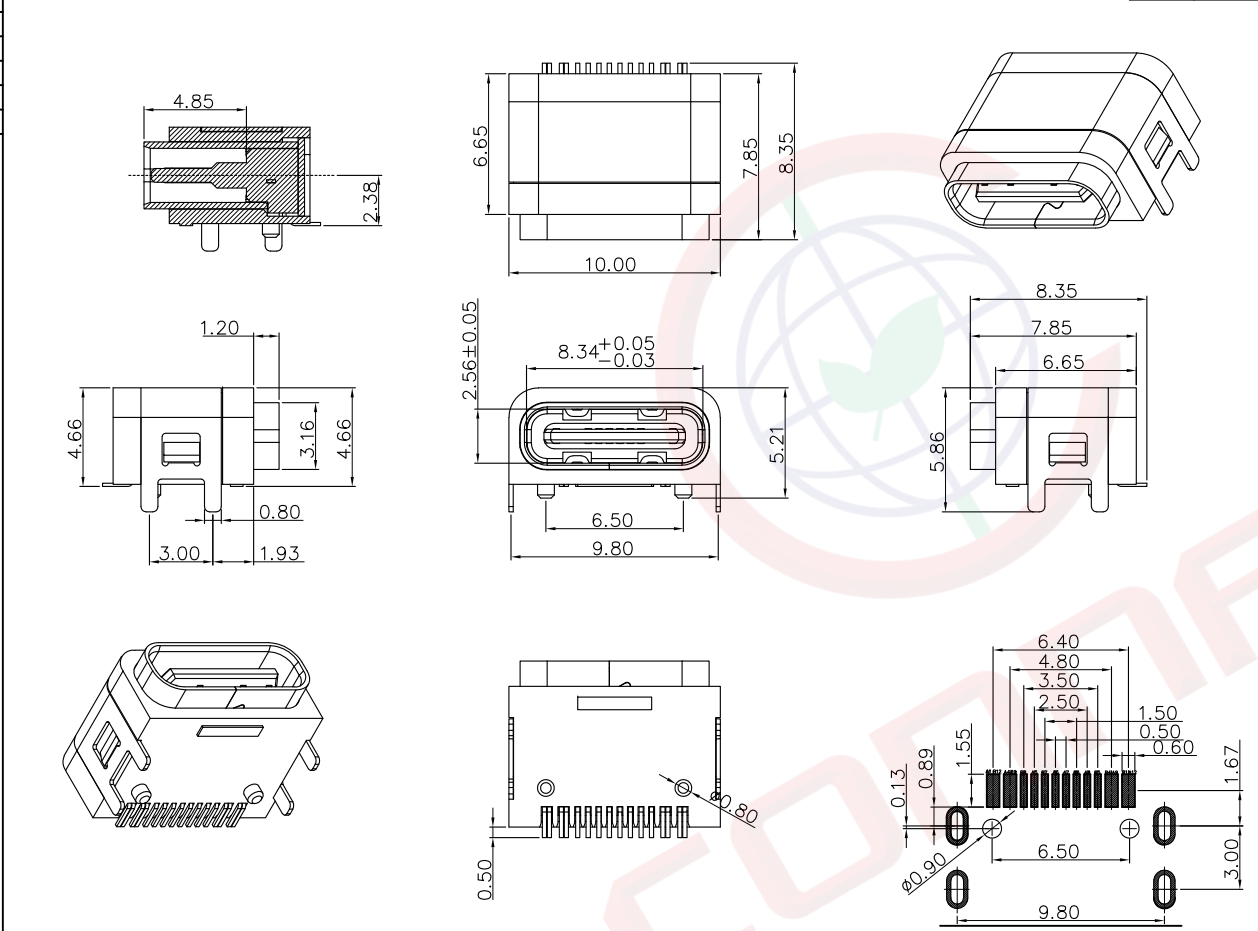


Dept	REV.	DESCRIPTION	DRAWN	CHECKED	APPROVED
Qty	A	NEW RELEASE	JLZ 01/18/21'		
DC					
ED					
IE					
ISO					
PD					
R&D					
SD					
QA					
QC					
QE					

The information provided herein is from CONNLY Electronic Co., Ltd. and is confidential. Any disclosure to a party other than the recipient is prohibited. The intellectual properties and its rights contained herein, including but not limited to, trademarks, patents, copyrights, trade secrets, and technical know-how, are owned exclusively by CONNLY or its affiliates. Unauthorized use or reproduction of this document in any form or manner, CONNLY may enforce its intellectual property rights at its own discretion; failures or delays to exercise such rights does not constitute a waiver of such rights.



- NOTE
- MATERIAL SPECIF
 - CONTACTS : COPPER ALLOY
 - MID PLATE : STAINLESS STEEL
 - FRONT SHELL : STAINLESS STEEL
 - PHOUSING : HIGH TEMPERATURE RESISTANT PLASTIC , UL94 V-0
 - PLATING.
 - CONTACT:
 - Ni 50u MIN . UNDER PLATED OVER ALL
 - Au PLATED ON THE FUNCTIONAL AREA OF CONTACT.
 - (GOLD PLATING THICKNESS FOLLOW THE P / N)
 - FRONT SHELL:
 - Ni 30u MIN . UNDER PLATED OVER ALL
 - MID PLATE:
 - PLATING SPECIFICATIONS OF THE SOLDER AREA FOLLOW THE P / N
- 7.SPECIFICATION:
- CURRENT RATING: 5A MAX
 - VOLTAGE: 100 VAC
 - TEMPERATURE RANGE: -40 °C ~ 85 °C
 - CONTACT RESISTANCE: 40 MILLIONHM MAX
 - INSULATION RESISTANCE: 100 MEGOHMS MIN.
 - INSERTION FORCE : 5N~20N
 - UNMATING FORCE: 8N~20N
 - DURABILITY: 10,000 CYCLES
 - WATER RESISTANCE: IPX7
 - WATERPROOF RING MATERIAL: SILICA GEL
- 8.Product number code:
DS1144-59 - X X X X X X X X

- Packing Type
- R: Tape On Reel
- Shell Plating
- N: Full Nickel
- Housing color
- B: Black
- Contact Plating
- 4: Selective 3u" gold
- 0: Selective gold flash
- Mounting type
- S: SMT type
- Connector type
- F: Female
- No. of contacts
- 16: 16pin



PIN ASSIGNMENT:

PIn No.	Signal Name	PIn No.	Signal Name
A1	CND	B12	CND
A2		B11	
A3		B10	
A4	VBUS	B9	VBUS
A5	CC1	B8	SBU2
A6	D+	B7	D-
A7	D-	B6	D+
A8	SBU1	B5	CC2
A9	VBUS	B4	VBUS
A10		B3	
A11		B2	
A12	CND	B1	CND



(Series Image-Reference Only)

RECOMMENDED P.C.B. LAYOUT
TOLERANCE UNSPECIFIED ±0.05mm

GENERAL TOLERANCE	ANGLE TOLERANCE	PROJECTION		TITLE	USB C Type 16P Female SMT Type L=7.95mm Waterproof Grade IP-X7
X. ±0.60	X. ±5°	UNITS	mm	SHEET	A4
.X ±0.38	.X ±3°	SHEET SIZE	A4	SERIES	DS1144-59 SERIES
.XX ±0.25	.XX ±2°	DRAWING TYPE CUSTOMER			
SCALE		1:1	SHEET 1 OF 1		
DRAWING NO.		C-DS1144-59-XXXXXX-A			

晨翔电子有限公司
CONNFLY CONNLY ELECTRONIC CO. LTD