

1 2 3 4 5 6 7 8 9 10

MATERIAL AND FINISH AS BELOW		
A	Housing	LCP UL94V-0 Black
B	Contact	Phosphor Bronze C5210, Contact Area: 15u" Gold
C	Shell	Brass C2680, Nickel Plated

**SPECIFICATION:**

**1. ELECTRICAL**

- 1.1 Current Rating: 0.5A per pin
- 1.2 Voltage Rating: 40V AC/DC
- 1.3 Contact Resistance: 60mΩ
- 1.4 Insulation Resistance: 100MΩ
- 1.5 Dielectric Withstanding Voltage: 500VAC

**2. MECHANICAL**

- 2.1 Durability: 10000 Cycle
- 2.2 Insertion Force: 44.1N max.
- 2.3 Extraction Force: 9.8~39.2N.

**3. ENVIRONMENTAL**

- 3.1 Operating temperature range: -40°C~+85°C
- 3.2 Storage temperature range: -40°C~+85°C


**4. SOLDER ABILITY**

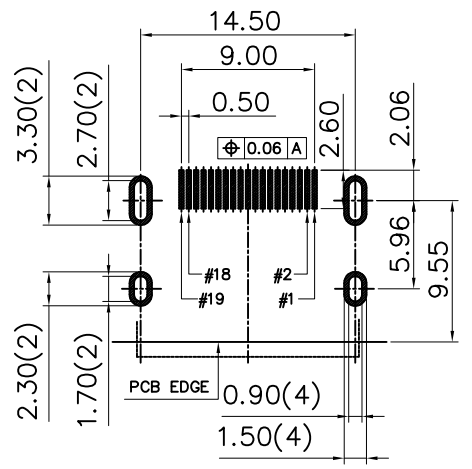
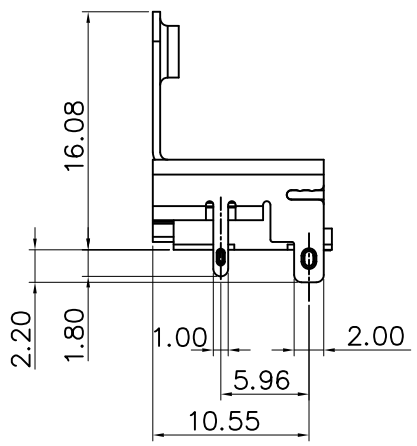
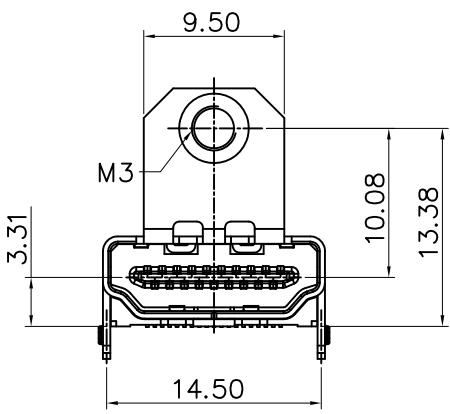
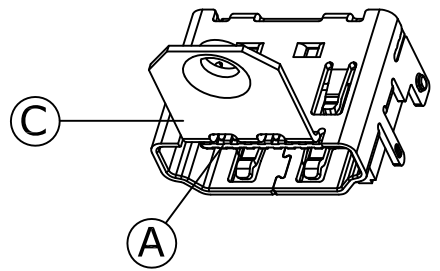
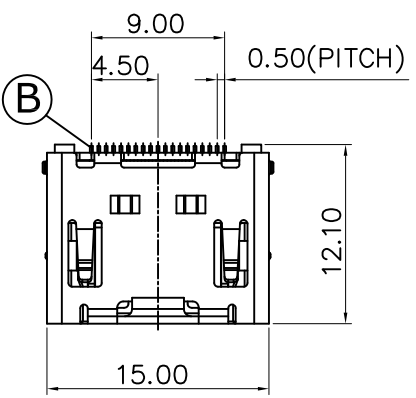
- 4.1 Recommended IR-Reflow Temperature: 260°C 5Sec
- 4.2 Recommended PCB Thickness: 1.0mm

**DESCRIPTION**

HDMI Connector With Flange, Solder Tail:SMD Type  
Shell:DIP Type, Contact Area: 15u" Gold Plated

⚠	Revised Voltage Rating	2014/11/25
⚠	Initial Release	2013/05/29

REV.	DESCRIPTION		DATE
UNLESS OTHERWISE SPECIFIED TOLERANCE			
ANGLES	ANG.	±5°	
LINEAR	0.	±0.3	
	0.0	±0.25	
	0.00	±0.20	
SCALE	AS SHOWN	UNIT: mm	 <a href="http://www.attend.com.tw">www.attend.com.tw</a>
DRAWN	Fros	2014/11/25	
CHECKED	Ron	2014/11/25	
APPROVED	Ken	2014/11/25	
DRAWN NAME:		HDMI Connector , With Flange	
Solder Tail:SMD Type, Shell:DIP Type			
PRODUCT NO.	206B-SEAN-R01		
SIZE	A4	SHEET	1/1
FILE NAME	206B-SEAN-R01_B_2		



PCB LAYOUT

1 2 3 4 5 6 7 8 9 10