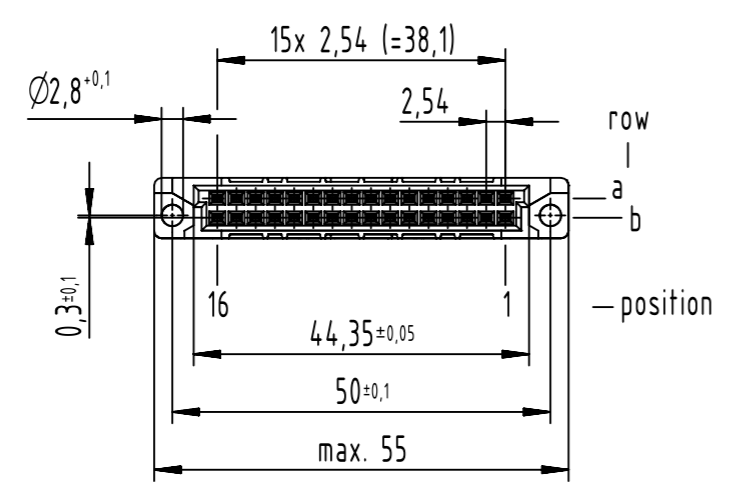
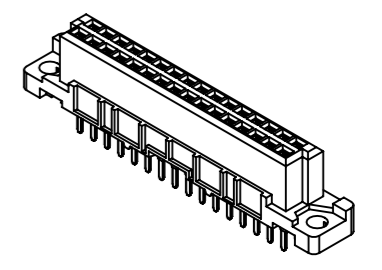
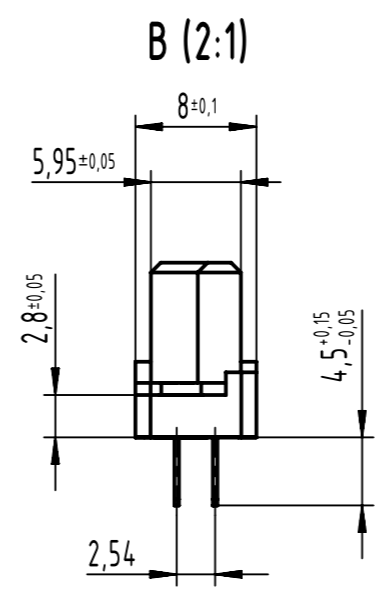
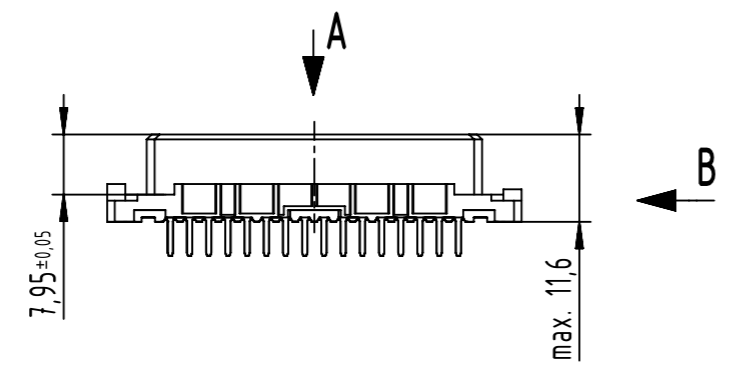


32 solder contacts
 ☒ = solder contact
 □ = position without contact



further information see product data sheet

09 22 232 6825	2
part no.	performance level

All rights reserved Department EL PD HARTING D-32339 Espelkamp	All Dimensions in mm Original Size DIN A3	Scale 1:1 Free size tol. IEC 60603-2	Ref. Sub. TB 09 22 232 x825 / Mod. 36416 / 15.07.2011	
	Created by STORCK	Inspected by LEHNERT	Standardisation 302077	Date 2021-07-05
Title DIN Signal type 2B female solder 4.5 32-pole			Doc-Key / ECM-Nr. 100111900/UGD/017/B 500000198117	
Type TB		Number 0922232X825	Rev. B	Page 1/1