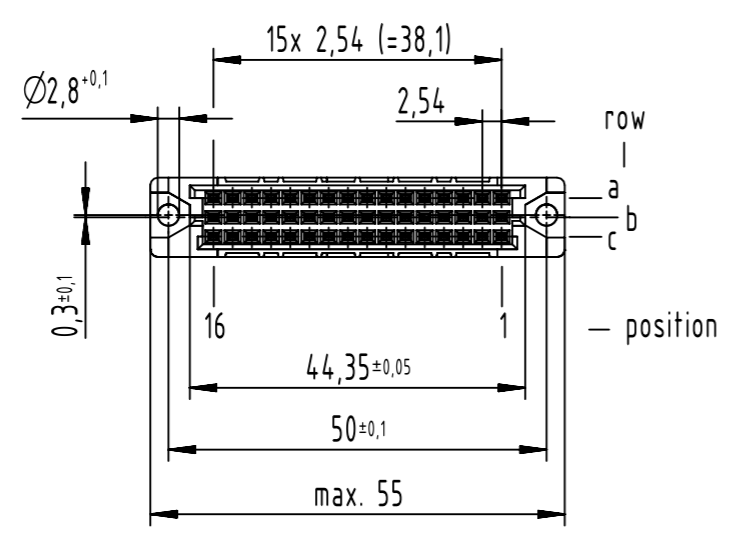
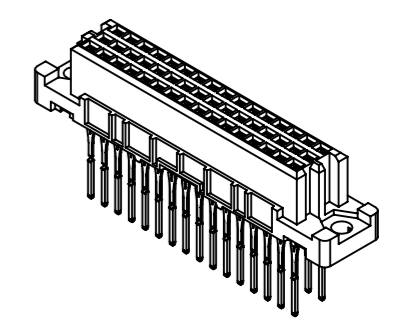
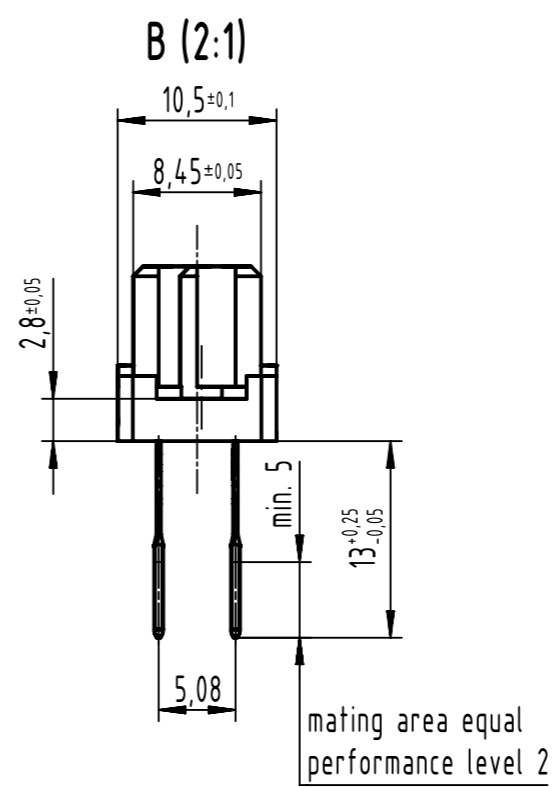
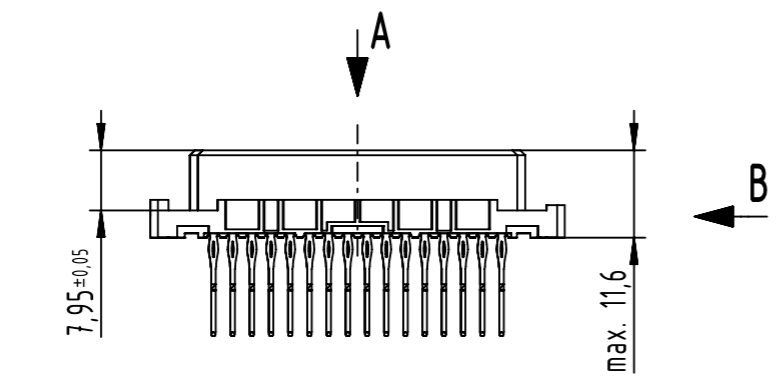


32 press-in contacts
 ☒ = position with contact
 □ = position without contact



1 recommended configuration of plated through holes and further information see product data sheet

09 23 232 6861	2
part no.	performance level

All rights reserved Department EL PD HARTING D-32339 Espelkamp	All Dimensions in mm Original Size DIN A3	Scale 1:1 Free size tol. IEC 60603-2	Ref. Sub.	
	Created by STORCK	Inspected by LEHNERT	Standardisation 302077	Date 2021-07-05
Title DIN Signal type 2C female press-in 13.0 32-pole			Doc-Key / ECM-Nr. 100222175/UGD/010/D 500000198117	
Type TB		Number 0923232X861	Rev. D Page 1/1	