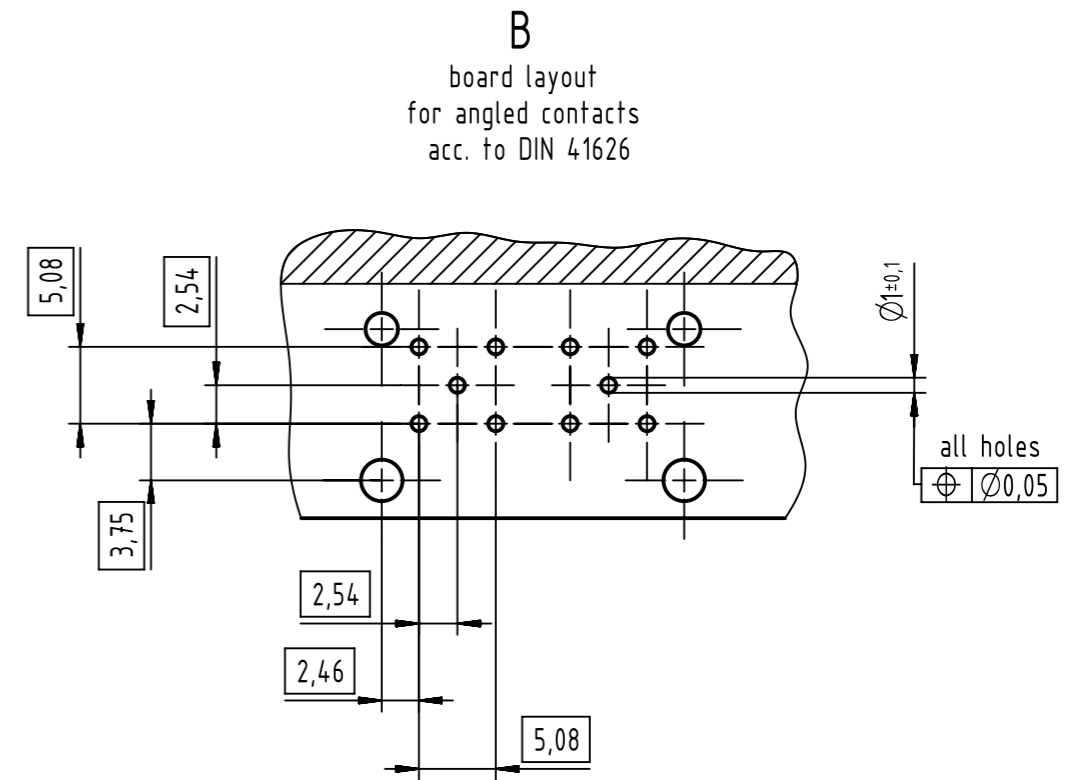
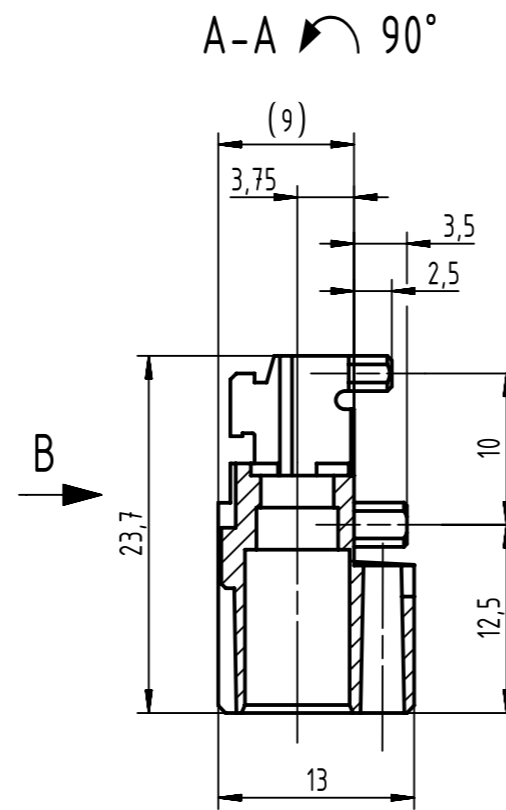
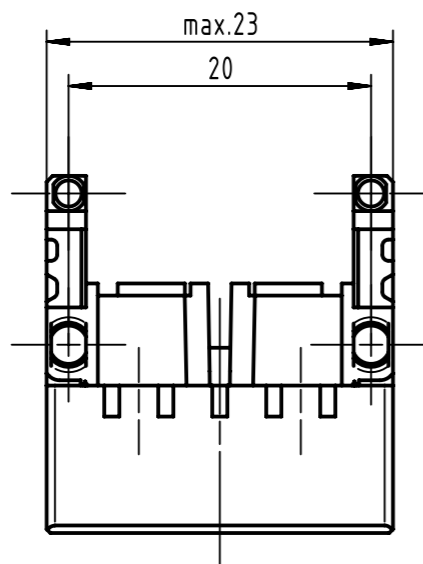


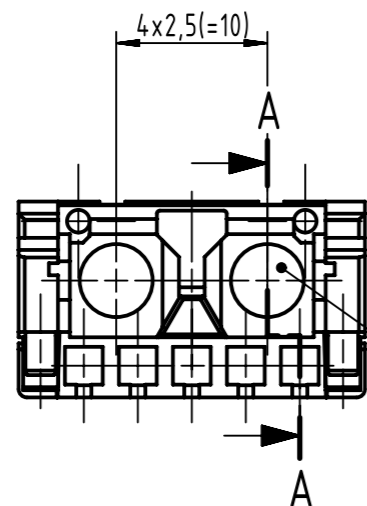
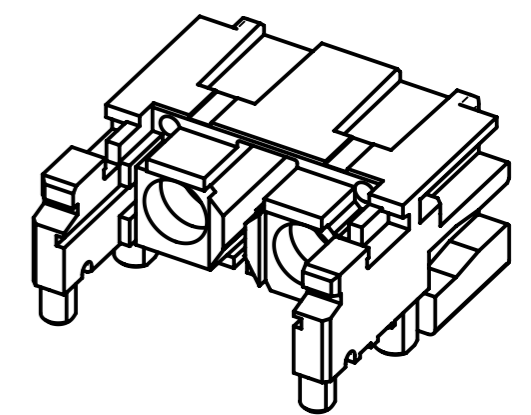
B
board layout
for straight contacts
acc. to DIN 41626



B
board layout
for angled contacts
acc. to DIN 41626



A-A 90°



holes for special contacts
acc. to DIN 41626

- 3 limit area of components (valid for both pcb sides)
- 2 no tracks, except solder eyes
- 1 non-metallized drillings

	All Dimensions in mm Original Size DIN A3	Scale 2:1	Free size tol.	Ref.	
	All rights reserved Department EL PD	Created by STORCK	Inspected by LEHNERT	Standardisation HOFFMANN	Date 2018-10-23
HARTING Electronics GmbH D-32339 Espelkamp		Title DIN Signal type M0+2 angled male			State Final Release
		Type TB	Number 09290023201	Doc-Key / ECM-Nr. 100558147/UGD/002/C 500000141444	Page 1/1