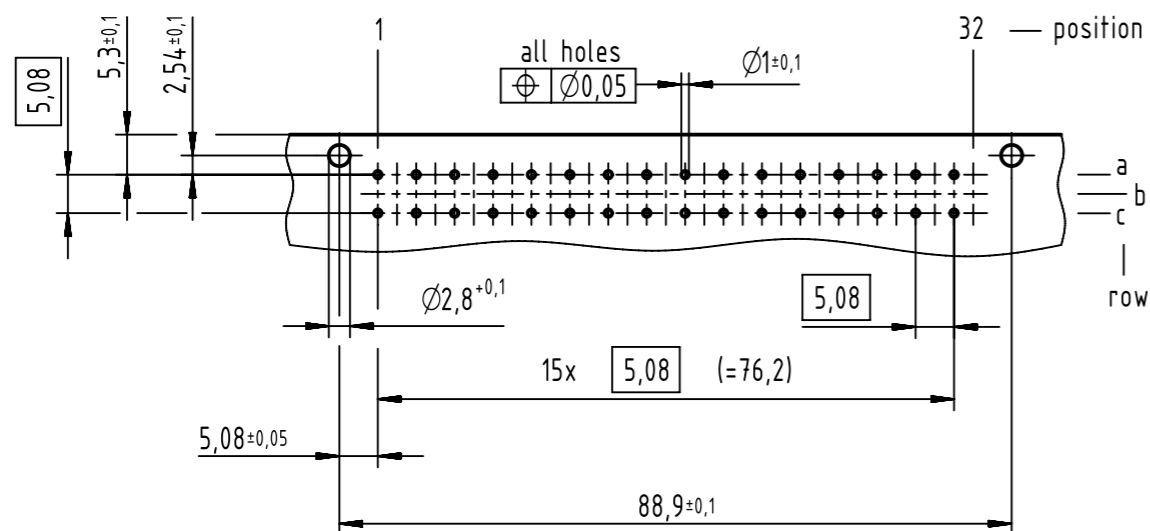
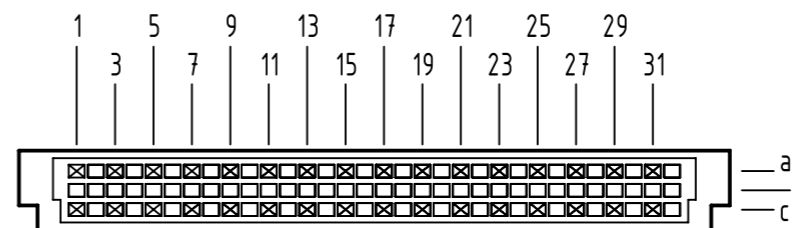


A
board drillings



B
contact arrangement

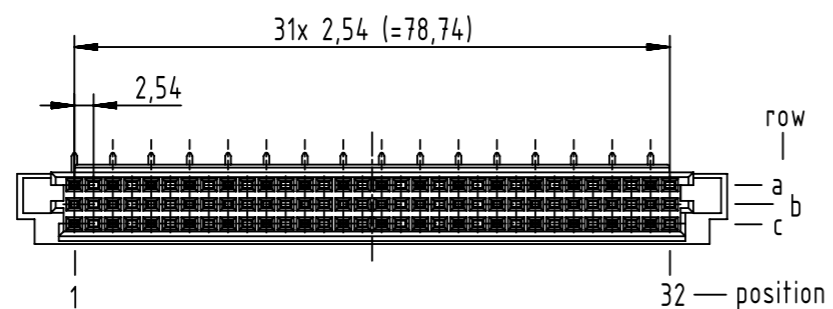
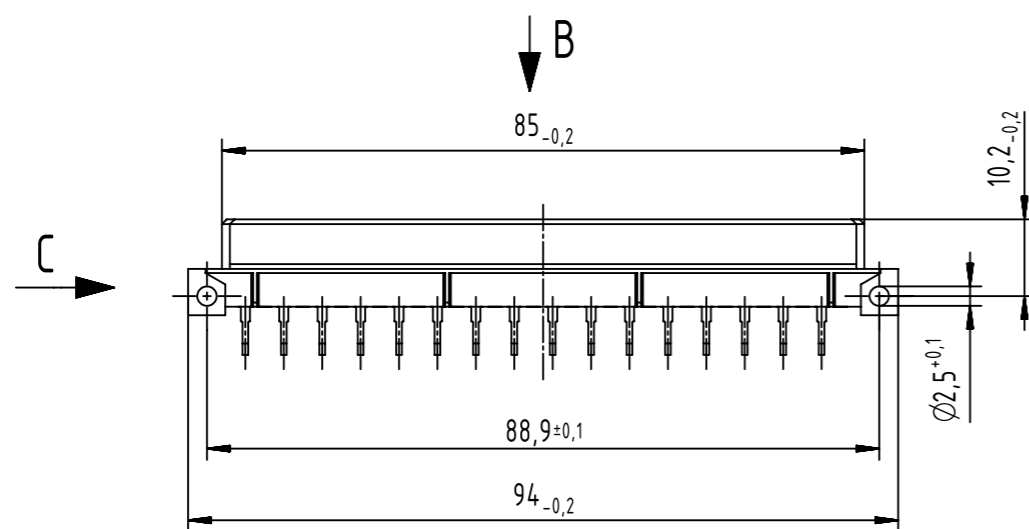
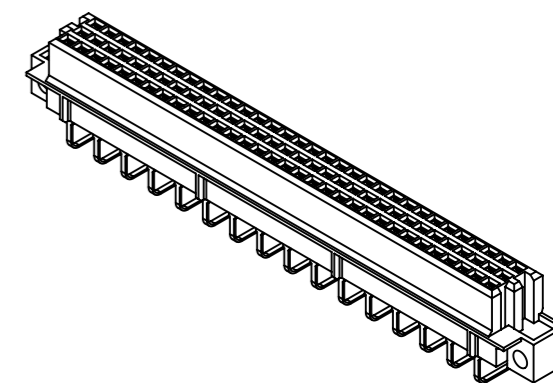
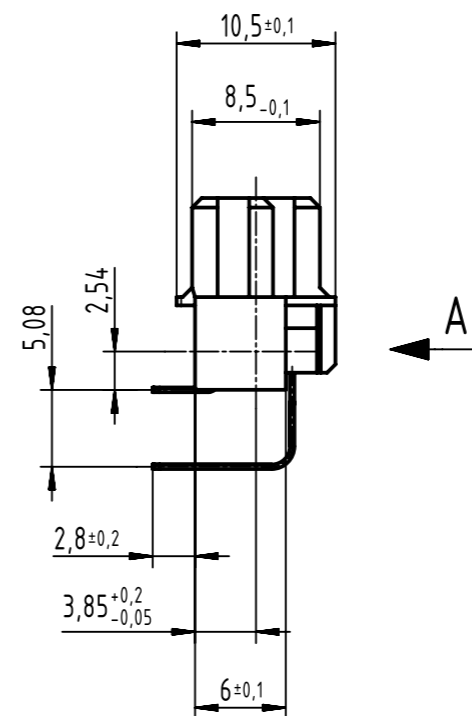


32 signal contacts

☒ = position with contact

☐ = position without contact

C (2:1)



09 73 232 6871	2
part-no.	performance level 1

1 further information see: DS 09732200201

	All rights reserved	Created by STORCK	Inspected by LEHNERT	Standardisation HOFFMANN	Date 2015-05-27	State Final Release
	Department EC PD - DE	Title DIN Signal type R female solder 32-pole				Doc-Key / ECM-Nr. 100104712/UGD/011/B 50000088910
HARTING Electronics GmbH D-32339 Espelkamp		Type TB	Number 0973232X871		Rev. B	Page 1/1