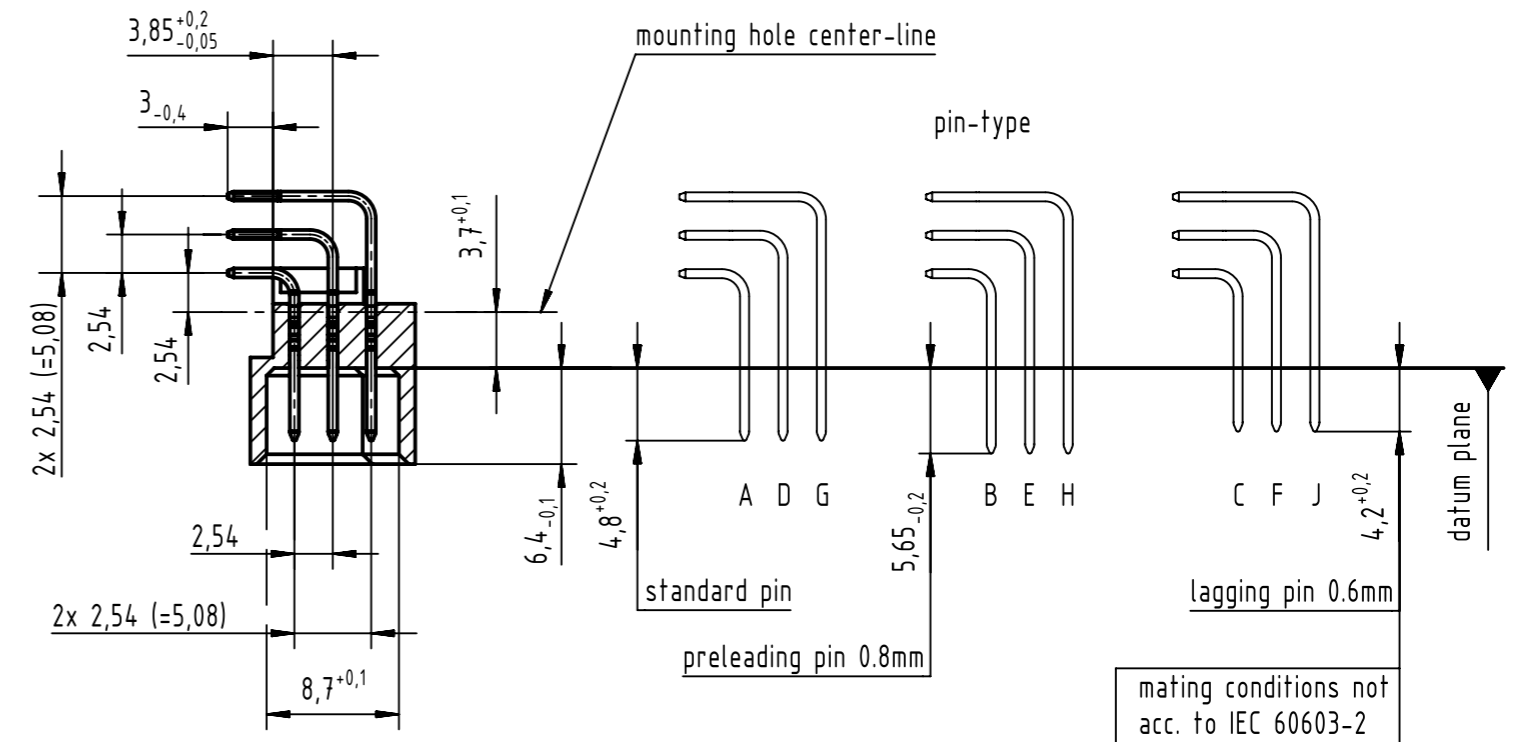
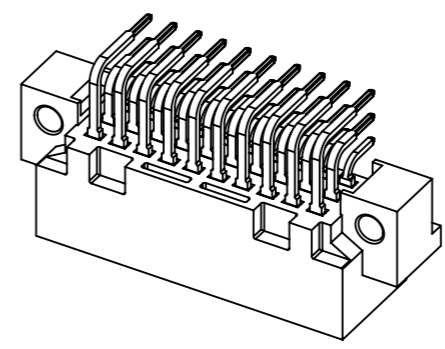
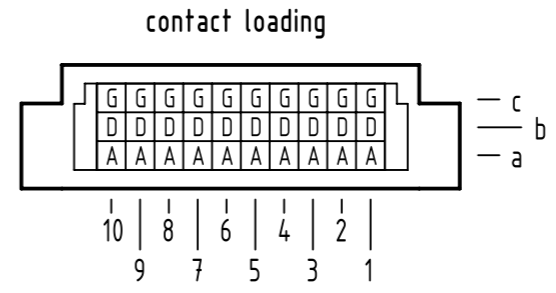


A-A (2:1)



B



09 25 130 6919	2
part no.	performance level 1

1 further information see: DS 09031230201

<p>All rights reserved Department EL PD HARTING Electronics GmbH D-32339 Espelkamp</p>	<p>All Dimensions in mm Original Size DIN A3</p>	<p>Scale 1:1 Free size tol. IEC 60603-2</p>	<p>Ref. Sub. TB 09 25 130 x919 / 35605 / 24.06.2009</p>	<p>Created by HAGEMEYERE Inspected by ELLERMANN Standardisation HOFFMANN Date 2015-09-02 State Final Release</p>	<p>Title DIN Signal type 3C male solder 30-pole SMC Type TB Number 0925130X919</p>	<p>Doc-Key / ECM-Nr. 100175264/UGD/030/B 50000092553</p>
	<p>Rev. B Page 1/1</p>					