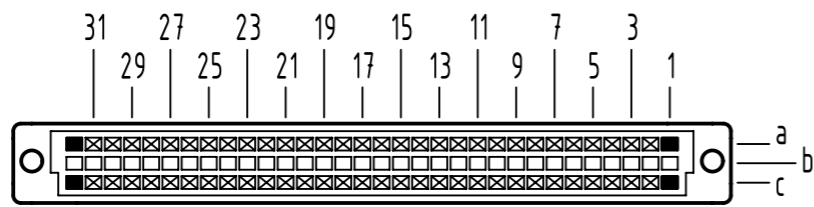


**A**  
contact arrangement



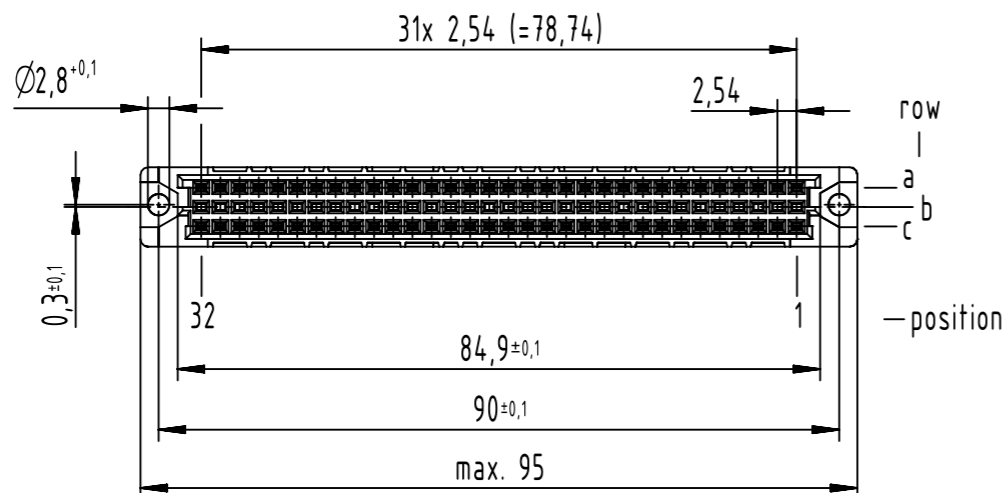
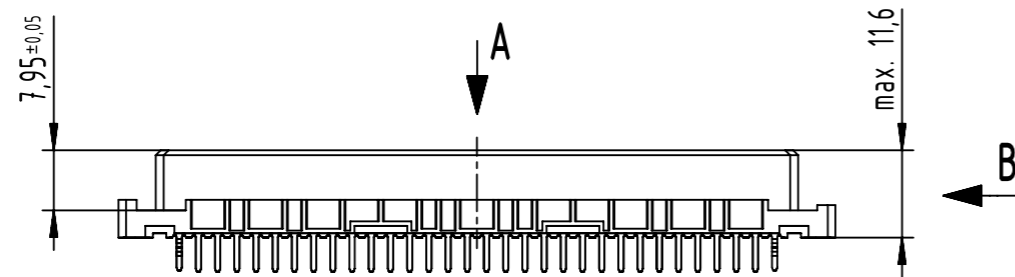
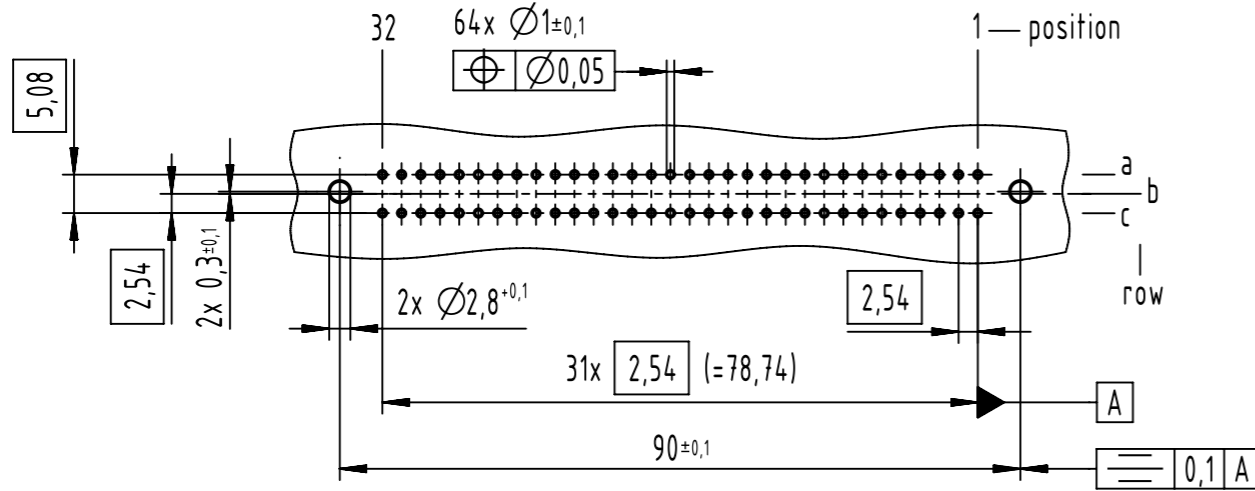
60 solder-contacts  
4 kinked solder-contacts

⊠ = solder-contact

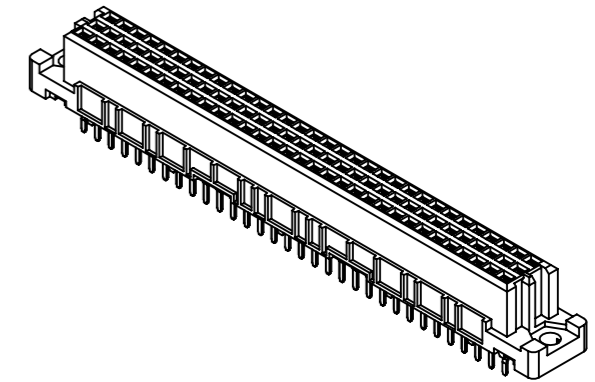
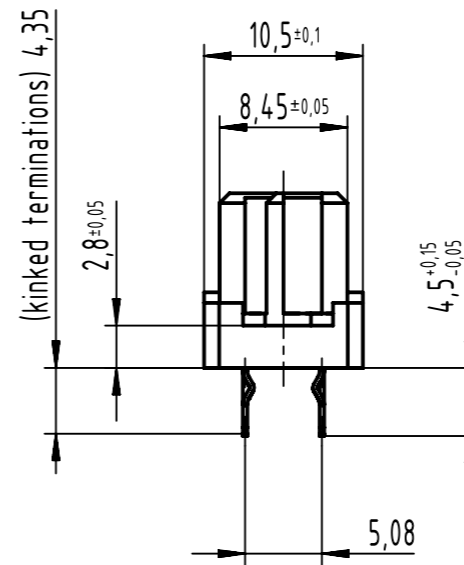
■ = kinked solder-contact

□ = position without contact

**A**  
board drillings



**B (2:1)**



09 03 264 7845	3
09 03 264 6845	2
09 03 264 2845	1
<b>part no.</b>	<b>performance level</b>

further information see product data sheet

	All rights reserved	Created by STORCK	Inspected by LEHNERT	Standardisation 302077	Date 2021-03-23	State Final Release
	Department EL PD	Title DIN Signal type C female kinked solder 4.5 64-pole			Doc-Key / ECM-Nr. 100173852/UGD/112/G 500000191082	
HARTING D-32339 Espelkamp	Type TB	Number 0903264X845		Rev. G	Page 1/1	