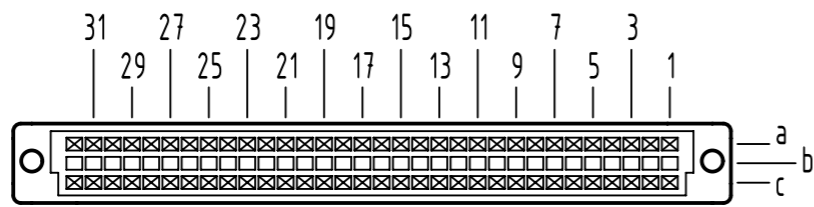


**A**  
contact arrangement

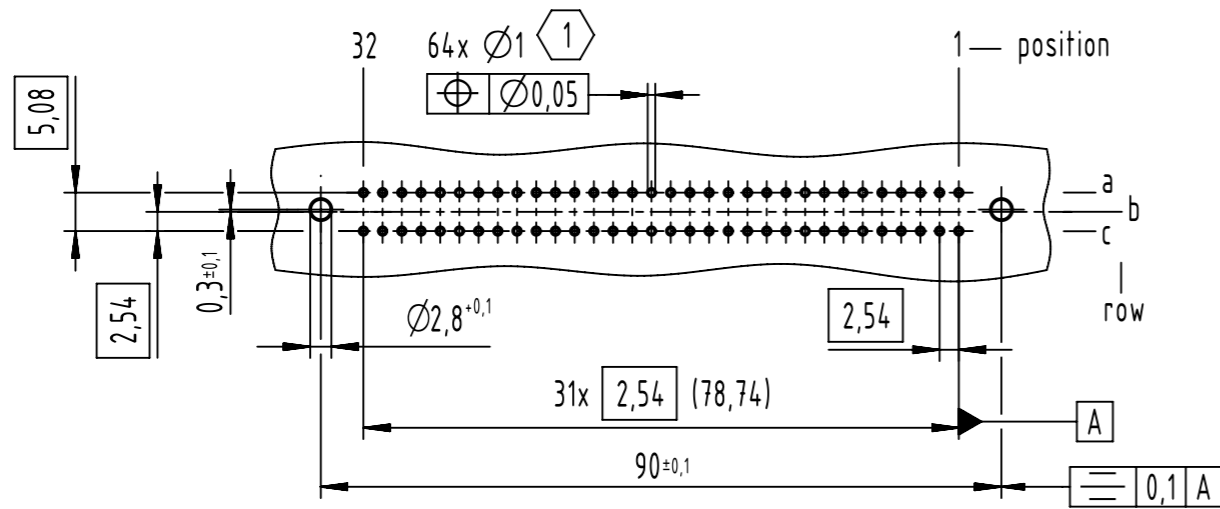


64 press-in-contacts

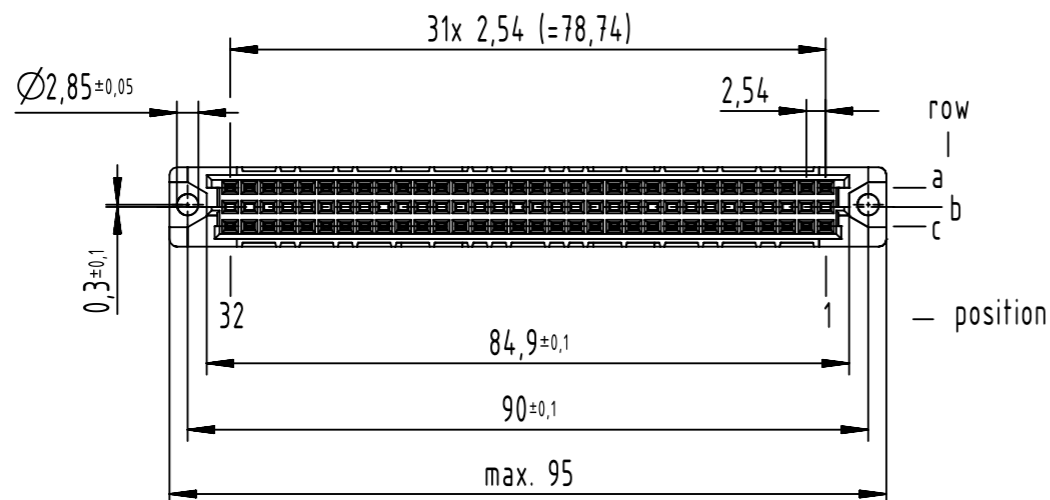
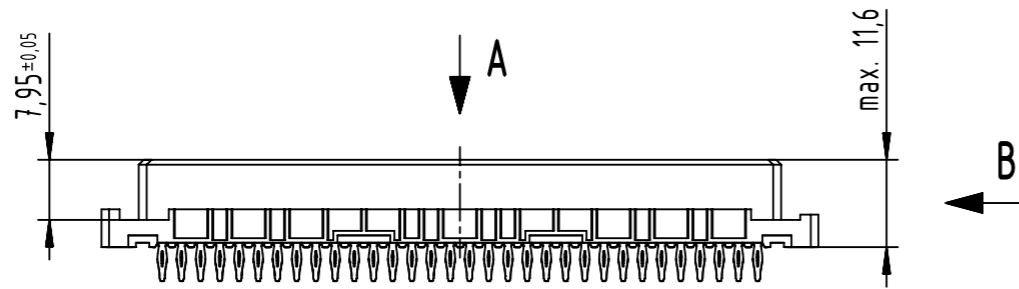
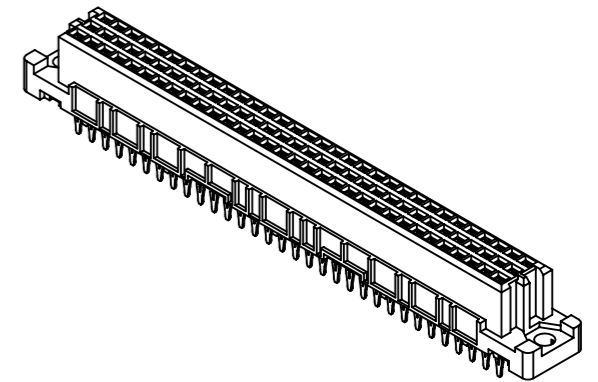
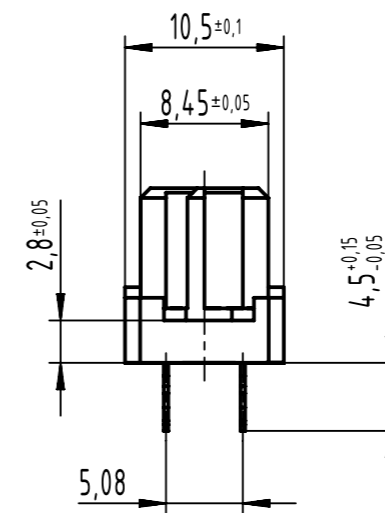
☒ = press-in-contact

□ = position without contact

**A**  
board drillings



**B (2:1)**



1 recommended configuration of plated through holes and further information see product data sheet

09 03 264 5850	NM30 (S4)
09 03 264 7850	3
09 03 264 6850	2
09 03 264 2850	1
<b>part no.</b>	<b>performance level</b>

All Dimensions in mm Original Size DIN A3		Scale 1:1	Free size tol. IEC 60603-2	Ref. Sub.
All rights reserved Department EL PD		Created by STORCK	Inspected by LEHNERT	Standardisation 302077
HARTING D-32339 Espelkamp		Title DIN Signal type C female press-in 4.5 64-pole		Date 2021-02-11
		Type TB	Number 0903264X850	State Final Release
				Doc-Key / ECM-Nr. 100173852/UGD/114/G 500000188551
				Rev. <b>G</b> Page 1/1