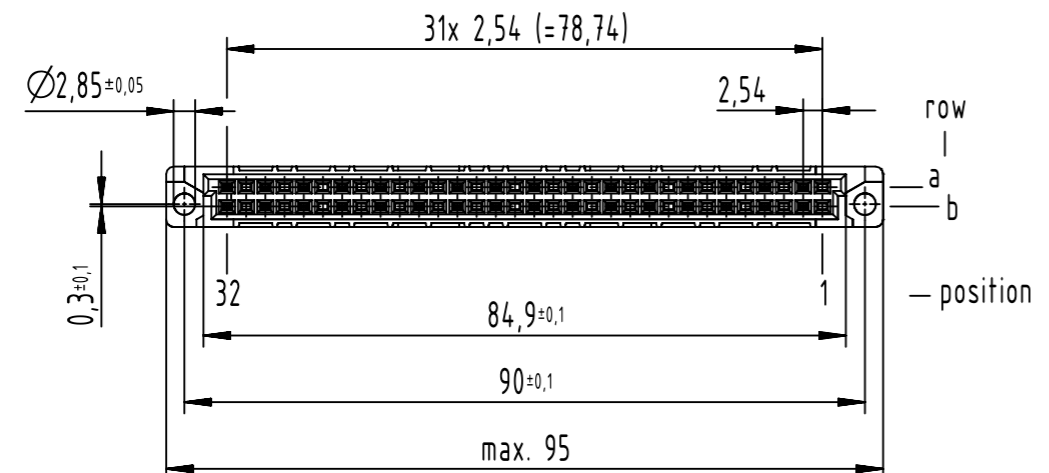
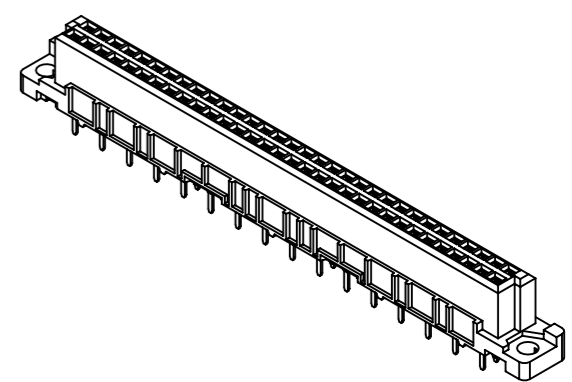
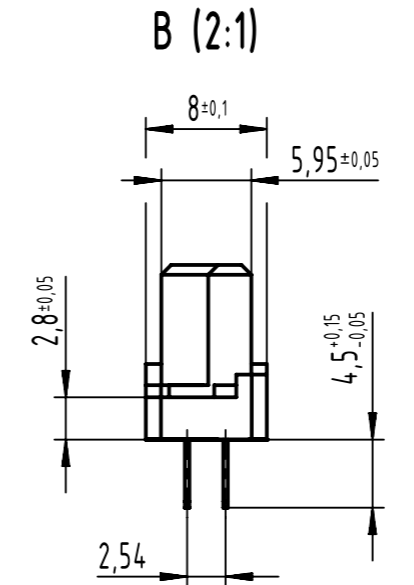
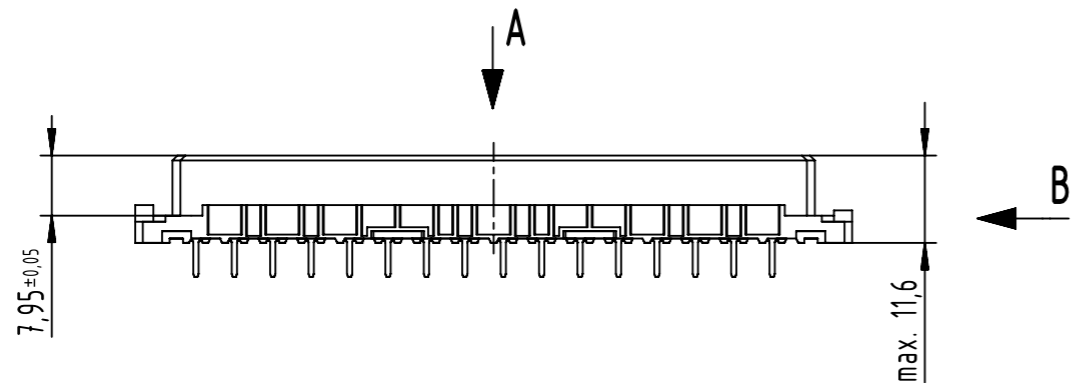


32 solder contacts
 x = position with contact
 o = position without contact



further information see product data sheet

09 02 232 6825	2
part no.	performance level

All rights reserved Department EL PD HARTING D-32339 Espelkamp	All Dimensions in mm Original Size DIN A3	Scale 1:1	Free size tol. IEC 60603-2	Ref. Sub.	Created by 00103855	Inspected by STORCK	Standardisation	Date 2023-01-16	State Final Release	Doc-Key / ECM-Nr. 100179617/UGD/012/D 50000222564
	Title DIN Signal type B female solder 4.5 32-pole	Type TB	Number 0902232X825	Rev. D	Page 1/1					