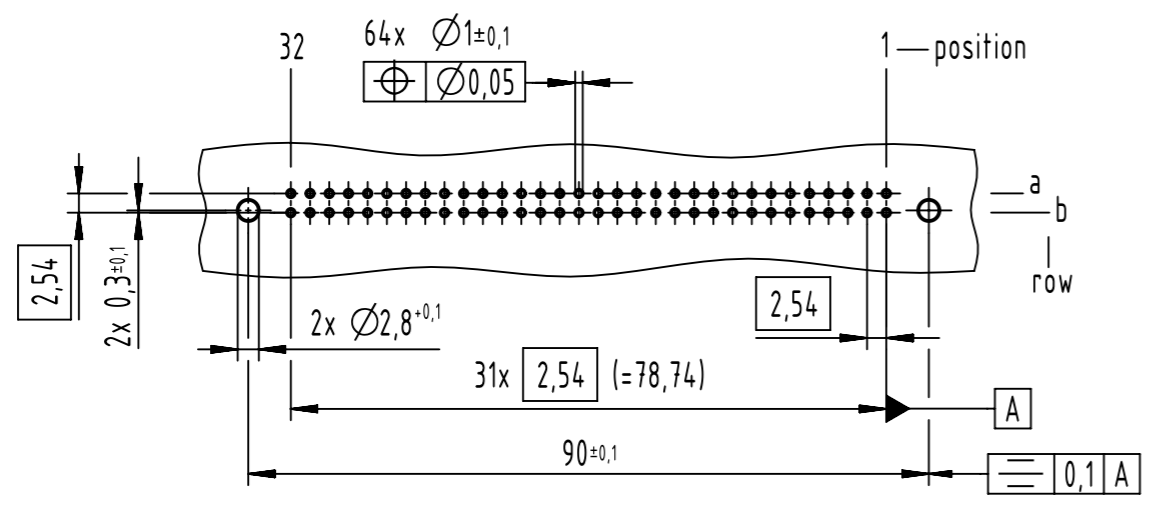
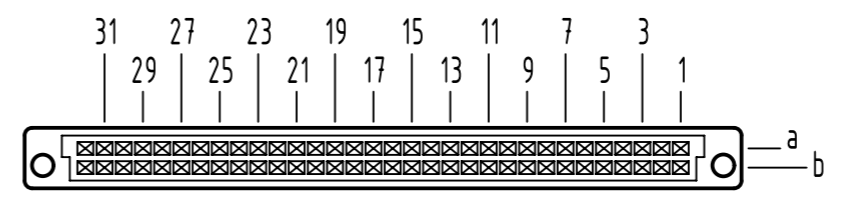


A
board drillings



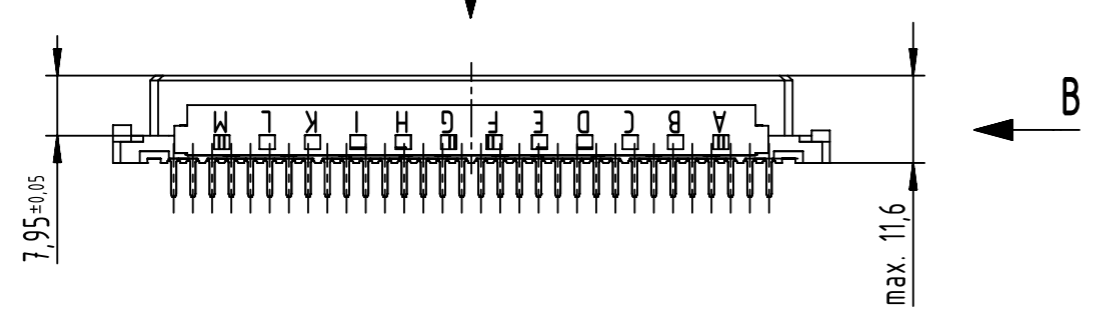
A
contact arrangement



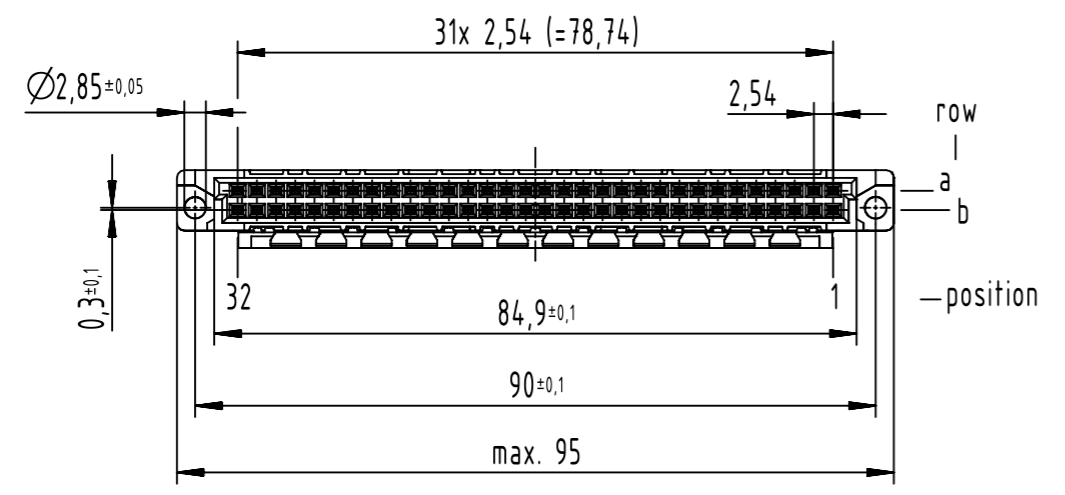
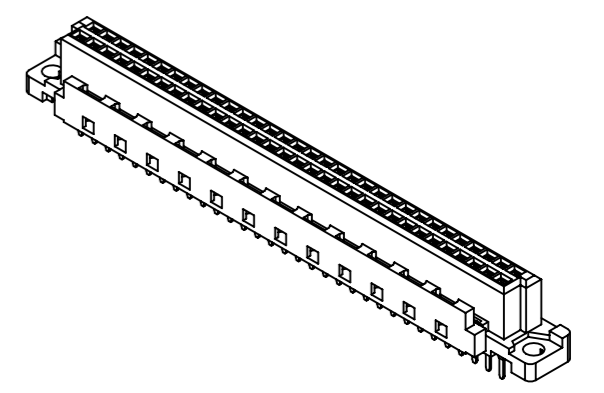
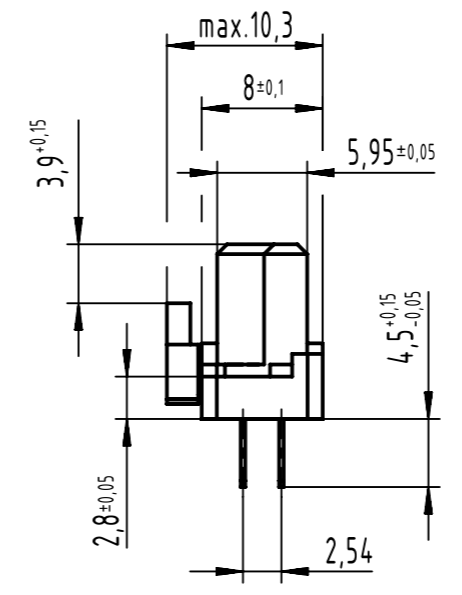
64 solder contacts

- ☒ = position with contact
- = position without contact

A



B (2:1)



further information see product data sheet

09 02 764 6825	2
part no.	performance level

All rights reserved Department EL PD HARTING D-32339 Espelkamp	All Dimensions in mm Original Size DIN A3	Scale 1:1	Free size tol. IEC 60603-2	Ref. Sub.	Created by 00103855	Inspected by STORCK	Standardisation	Date 2023-01-16	State Final Release	Doc-Key / ECM-Nr. 100179617/UGD/046/D 50000222564
	Title DIN Signal type B female solder 4.5 with coding 64-pole	Type TB	Number 0902764X825	Rev. D	Page 1/1					