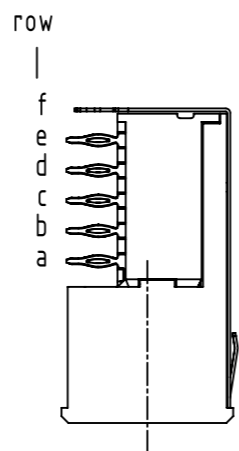
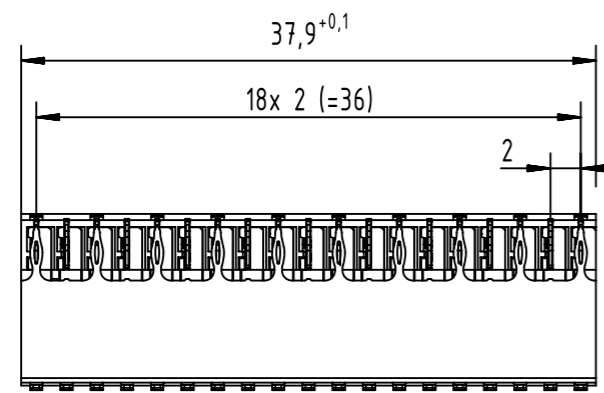
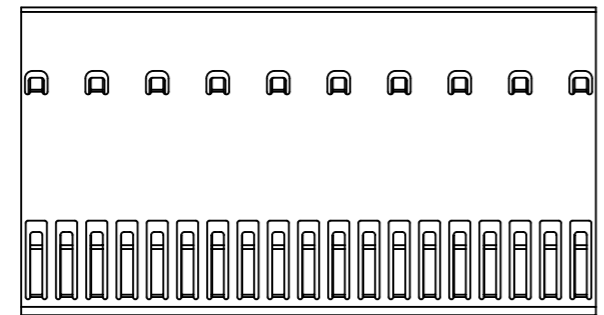
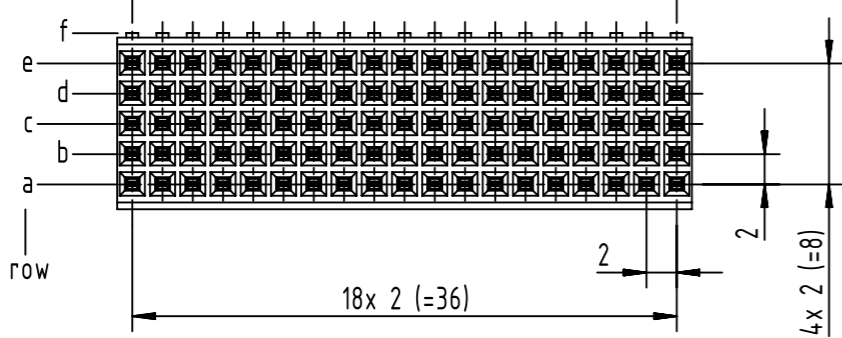
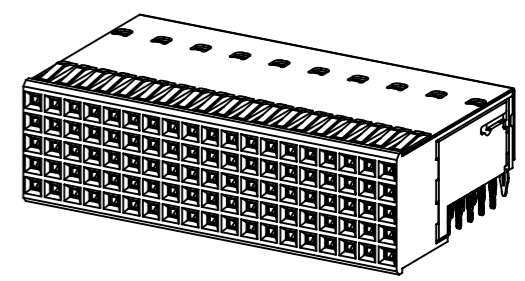
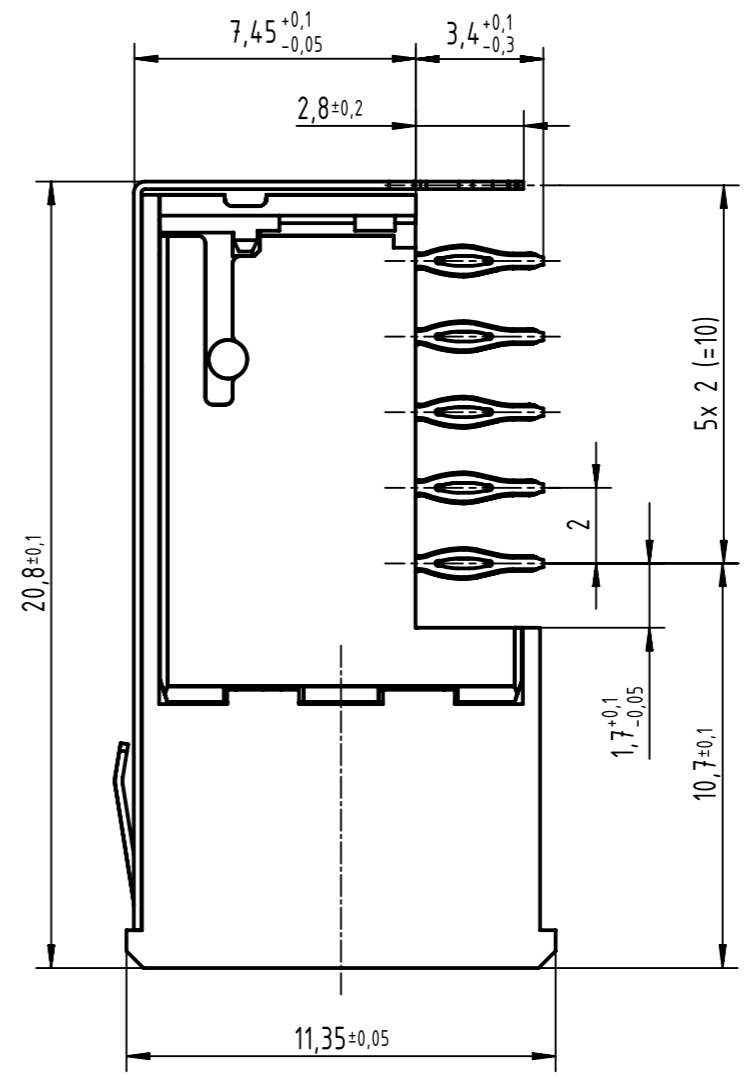


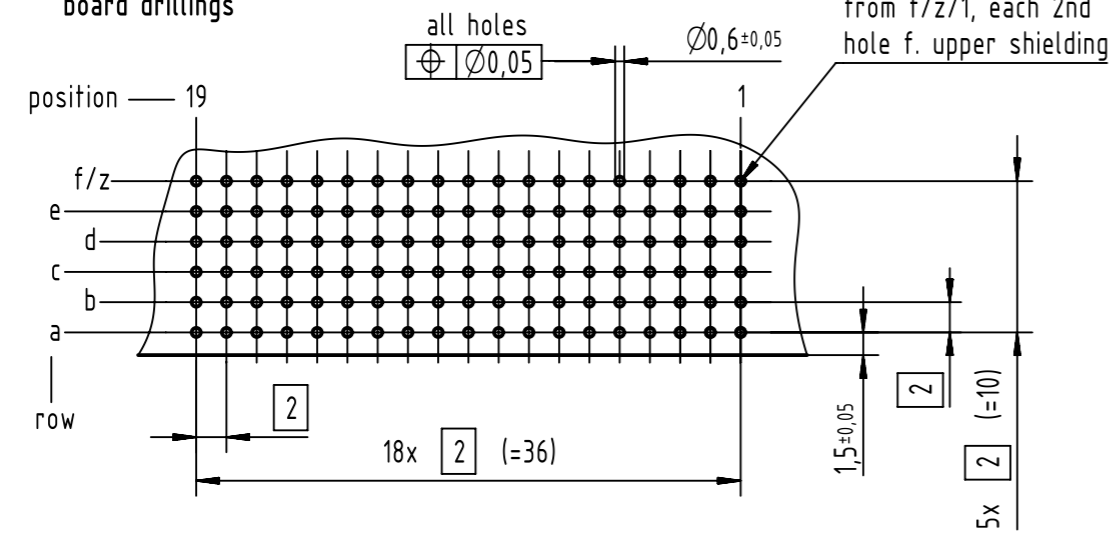
position — 19



A (5:1)



board drillings



17 25 095 5102	Au50
17 25 095 4102	NM30 (S4)
17 25 095 2102	2
17 25 095 1102	1
part no.	performance level 1

1 recommended configuration of plated through holes and further information see: 17002200101

	All rights reserved	Created by STORCK	Inspected by LEHNERT	Standardisation HOFFMANN	Date 2019-02-28	State Final Release
	Department EL PD	Title har-bus HM female type B-19 with shield 95-pole			Doc-Key / ECM-Nr. 100120049/UGD/006/B 50000014.1026	
HARTING Electronics GmbH D-32339 Espelkamp		Type TB	Number 1725095X102		Rev. B	Page 1/1