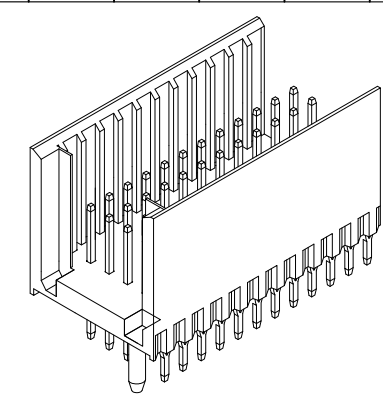
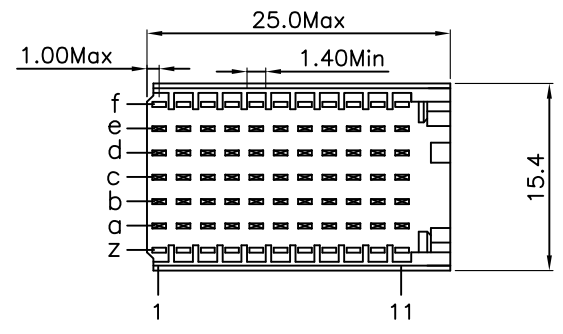


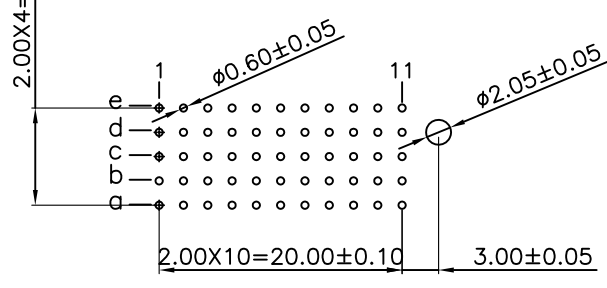
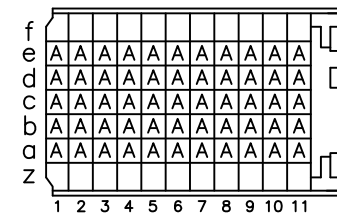
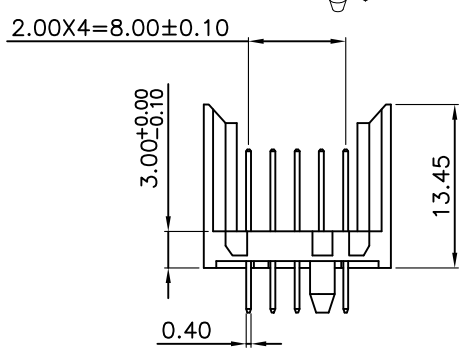
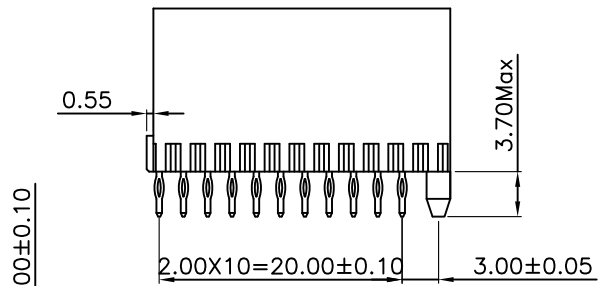
REV.	SPECIFICATION	ECN NO.	APPD.
R2		ECN150128	



Material:
Housing: Thermoplastic Polyester Glass Filled UL94V-0.
Contacts: Copper Alloy

Electrical Characteristics:
Current Rating: 1 AMP.
Dielectric Withstanding Voltage: AC 750V For 1 minute.
Insulator Resistance: 10000MΩ min. at DC 500V.
Contact Resistance: 20mΩ max. at DC 100mA.
Operating Temperature: -55°C~+125°C .

***RoHS Compliant**

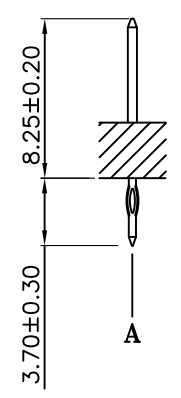



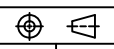
P.C. Board Layout
(Top View)

9111- 7 1 C 77 A C xx U

Series
7Row
1: Male
C: Type C
Housing Type
A: A Option

U: Tube Package
10: 10 u"
30: 30 u"
C: Dip Tin
Contact Gold
G: Gold



Tolerances	Dwg. No.	9111D71072		Title:		 OUPIN ELECTRONIC(KUNSHAN) CO., LTD. P/N: 9111-71C77ACxxU SHEET 1/1 Ver.No. R2	
x = ±0.5	Projection			9111 Series			
.x = ±0.25	Unit	mm	Scale	2.00 Hard metic			
.xx = ±0.15	Drawn By	zbs 01/10'15		Connectors Male Type C			