

Stereo Jack Series

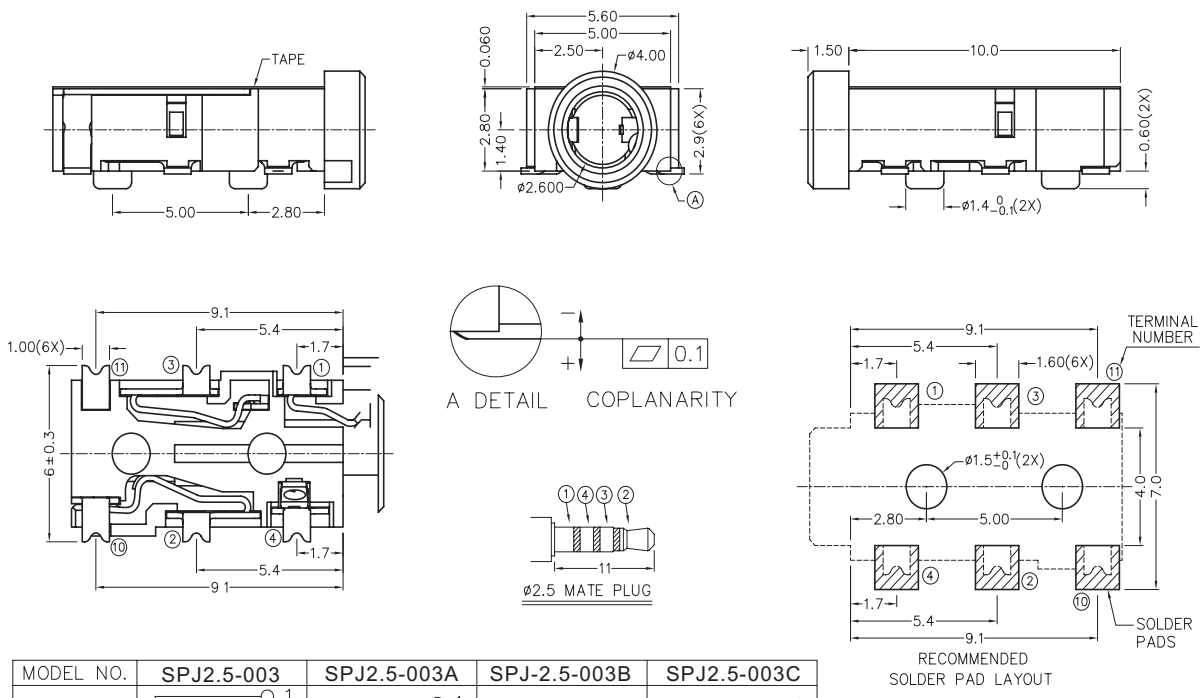
KLS1-SPJ2.5-003 (SMD Stereo Jack)

Technical parameters:

Rated voltage: DC 30 V
 Rated current: 0.5 A
 Contact resistance: 0.03Ω, max
 Insulation resistance: 100MΩ, min
 Pressure: AC500V (50Hz) / 1minute
 Insertion Force :2-20 N
 Life: 50000 times
 Operating Temperature:-30°C ~ 70°C

Material:

Terminal 1 : Copper Alloy
 Terminal 2 : Copper Alloy
 Terminal 3 : Copper Alloy
 Terminal 4 : Copper Alloy
 Terminal10 : Copper Alloy
 Terminal11 : Copper Alloy
 Housing : PA6T
 TAPE : Polyimide



MODEL NO.	SPJ2.5-003	SPJ2.5-003A	SPJ-2.5-003B	SPJ2.5-003C
SCHMATIC				

ORDER INFORMATION

Product NO.: **KLS1-SPJ2.5-003A**

