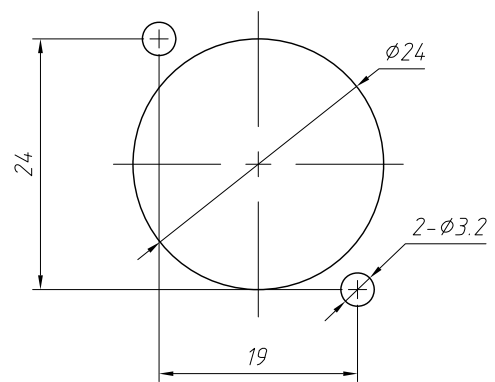
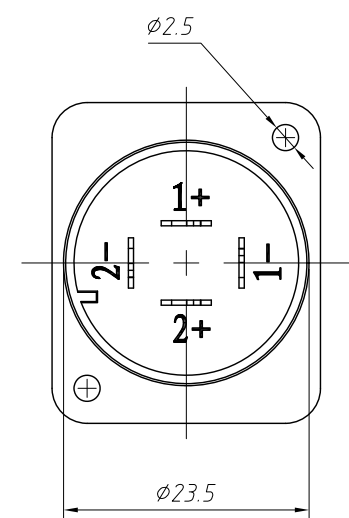
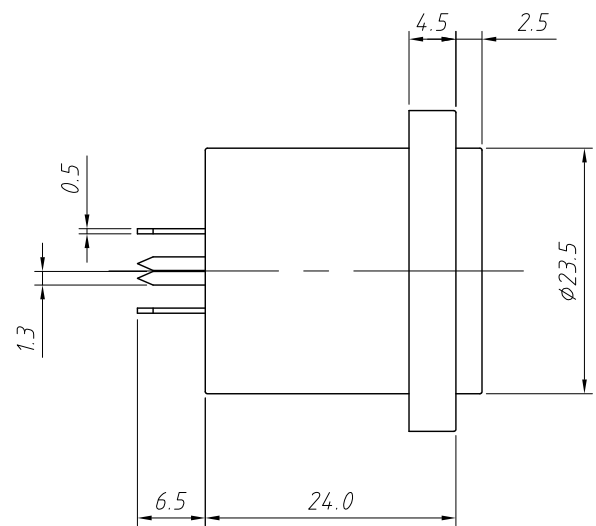
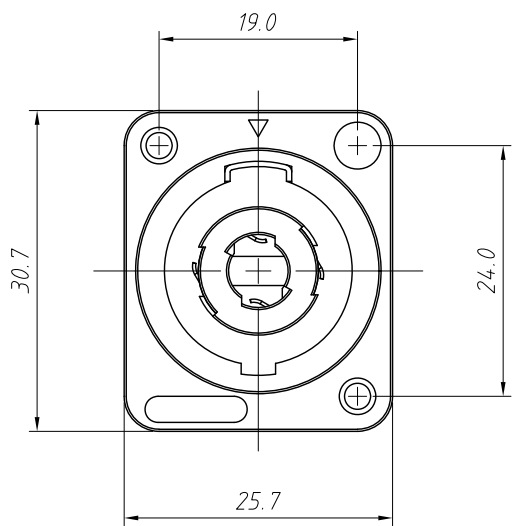


1
RoHS Compliance

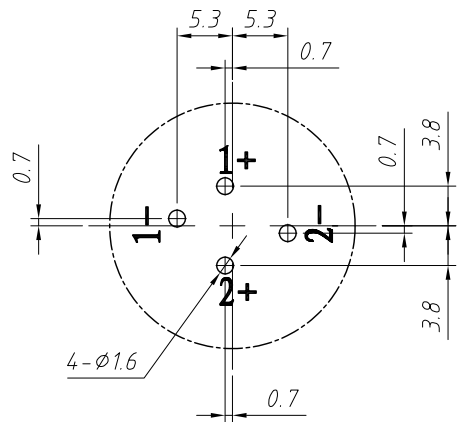


Mounting Hole Dimensions

- Electrical:**
- 1.Voltage Rating: 250VAC
 - 2.Current Rating: XLR:20A Max.
JACK: 15A Max.
 - 3.Contact Resistance: 30mΩ Max.
 - 4.Insulation Resistance: 1000MΩ Min.
 - 5.Withstanding Resistance :1000VAC Min.

- Mechanical:**
- 1.Durability: 1000 cycles Min.
 - 2.Insertion Force: 5 ~20N
 - 3./withdrawal Force: 5 ~20N.

Order Information:
 L-KLS1-SL S-0607-04-BK
 L: RoHS
 speakON series
 Type: S-Socket P-Plug
 Order Number
 No.of 04 pins
 Color: BK-Black



PCB Board Mounting Hole Dimensions

ANGLE TOLERANCE	PROJECTION	Description:	4 Pole Chassis Connector Flange	
±3°				
GENERAL TOLERANCE	UNITS	mm	KLS P/N:	L-KLS1-SLS-0607-04-BK
x.x ±0.30	SHEET SIZE	A4	1 / 1 page	
x.xx ±0.20	Draw:	Daniel	2021-08-28	
x.xxx ±0.10	Check:	Daniel	2021-08-28	

NingBo KLS ELECTRONIC CO.,L TD.