

## Stereo Jack Series

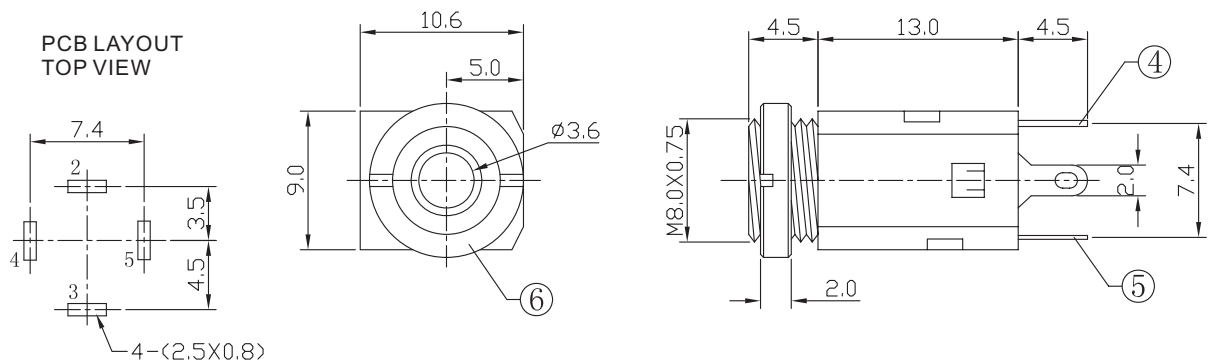
KLS1-TG3.5-004 (3.5mm Audio Jack)

### Technical parameters:

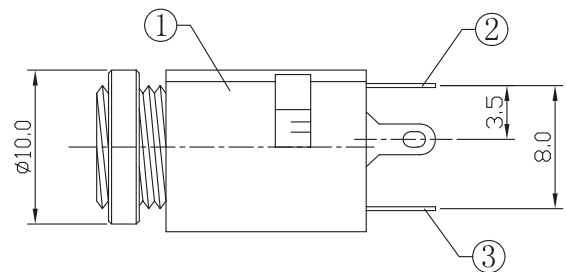
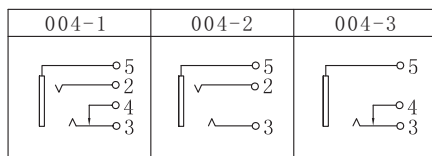
Rated voltage:DC 30V  
 Rated current: 0.5A  
 Contact resistance:0.03Ω max  
 Insulation resistance:100MΩ (DC250V)  
 Withstand Voltage:500VAC  
 Insertion Force :3-20N  
 Life:5000 times

### Material:

- 1、Housing:PBT
- 2、Contact Foot : Phosphor bronze, Ag-Plating
- 3、Spring Piece:Phosphor bronze, Ag-Plating
- 4、Curve Piece:Brass, Ag-Plating
- 5、Contact Foot:Phosphor bronze, Ag-Plating
- 6、CAP:H59 Brass, Ni-Plating



### SCHEMATIC



## ORDER INFORMATION

Product NO.: KLS1-TG3.5-004

