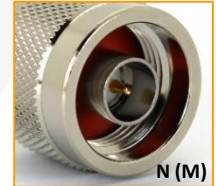
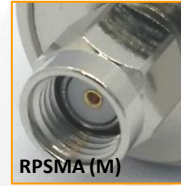


RPSMA-Male To N-Male Adaptor

Part Number: STCON-RPSMAM-NM

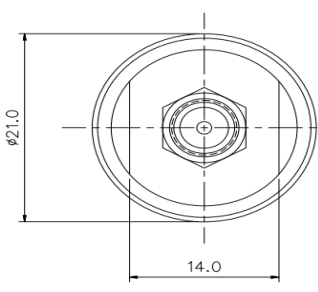
Specifications

Part Number	STCON-RPSMAM-NM
Contact	RP-SMA Male vs. N Male
Frequency	DC-6GHz
Impedance	50 Ω
Working Voltage	1000Vrms Max.
Dielectric Withstanding Voltage	2500Vrms Max.
Insulator Resistance	5000 MegaOhms Min.
VSWR	1.2 Max
IP Rating	SMA Male IP67

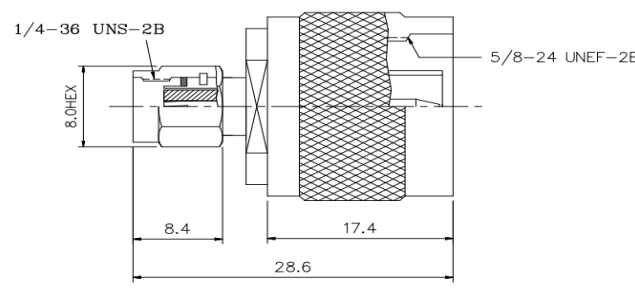


Technical Drawing

Patent Article	REV.	Date	Drawn
	A	2018/09/21	Debra



∅21.0
14.0



1/4-36 UNS-2B
8.0HEX
8.4
17.4
28.6
5/8-24 UNEF-2B

ELECTRICAL PERFORMANCE :

IMPEDANCE : 50 OHMS
 FREQUENCY : DC-6GHz
 WORKING VOLTAGE : 1000Vrms MAX.
 DIELECTRIC WITHSTANDING VOLTAGE : 2500Vrms MAX.
 INSULATOR RESISTANCE : 5000 MEGOHMS MIN.
 VSWR : 1.2 Max.

NO.	DESCRIPTION	MATERIALS	FINISHED
1	BODY	BRASS	Nickel
	CONTACT	P.B	Gold 5 μ"
	INSULATOR	PTFE	
	SHELL	BRASS	Nickel
	N C-Ring	SUS304	
	SMA C-Ring	Be. Copper	
	GASKET	Silicon	

RoHS COMPLIANCE	Unit : mm	Scale : NTS
TOLERANCE :		
X=±0.2 X.X=±0.1 X.XX=±0.05		
TITLE :		
RP-SMA Male TO N Male		

Disclaimer: All images are for reference purposes only

Revised | March 02 2022 (V1)

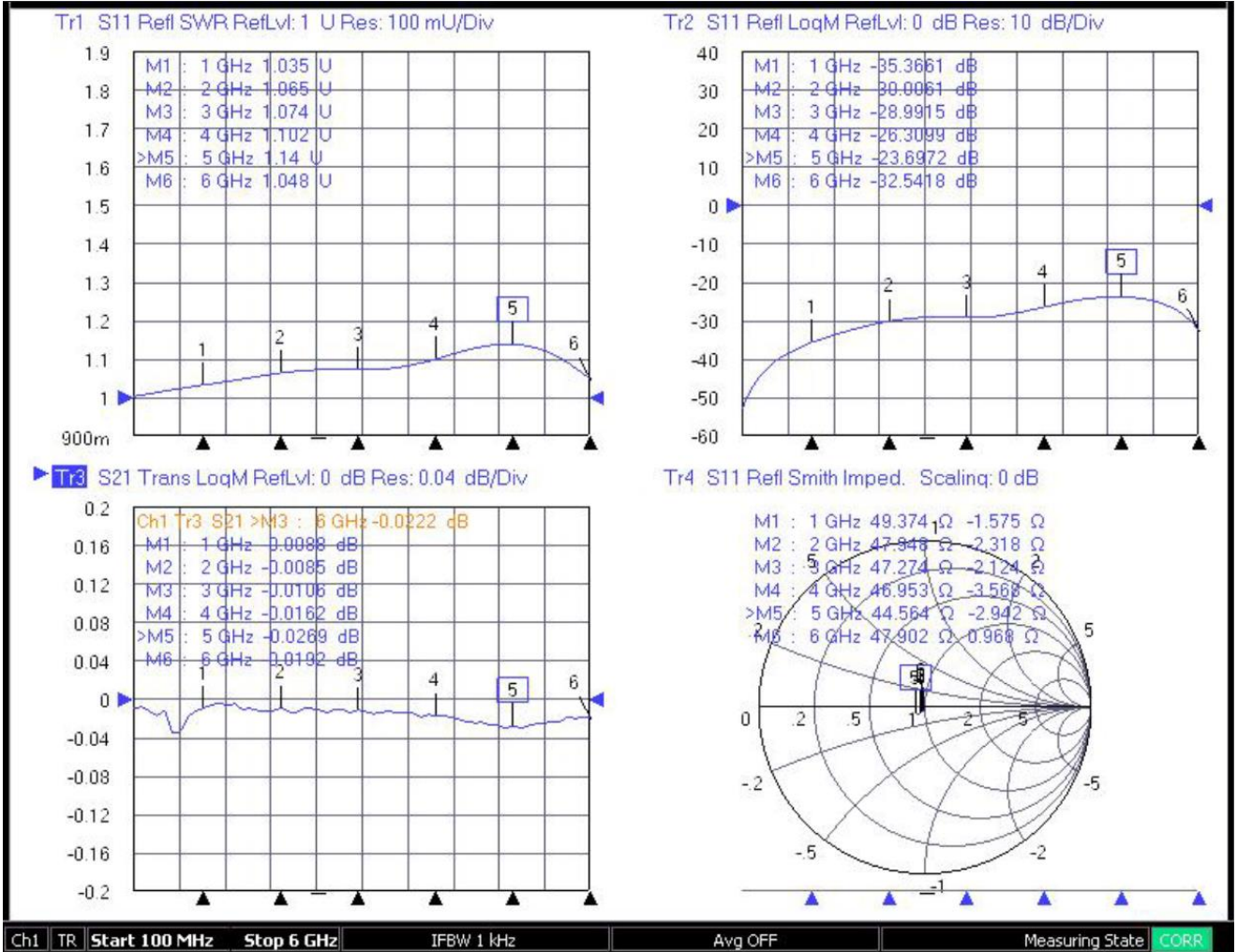
Important Notice: Information contained in this data sheet is believed to be reliable at the date of issue, however accuracy and completeness is not guaranteed. Satelcom holds the right to change the product specifications without notice.



RPSMA-Male To N-Male Adaptor

Part Number: STCON-RPSMAM-NM

Test Report



Disclaimer: All images are for reference purposes only

Revised | March 02 2022 (V1)

Important Notice: Information contained in this data sheet is believed to be reliable at the date of issue, however accuracy and completeness is not guaranteed. Satelcom holds the right to change the product specifications without notice.

