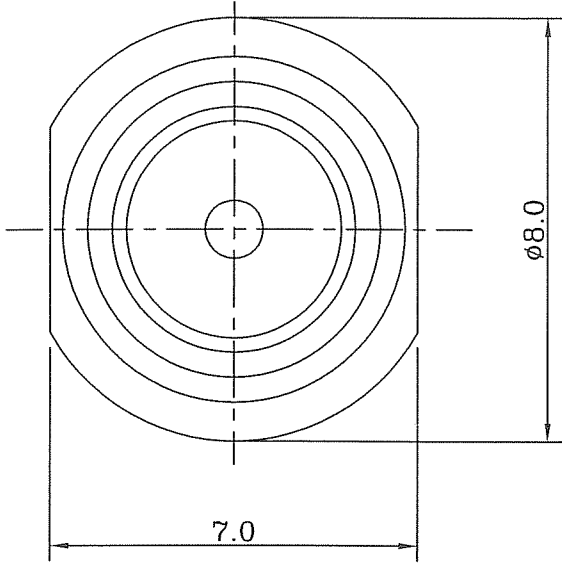
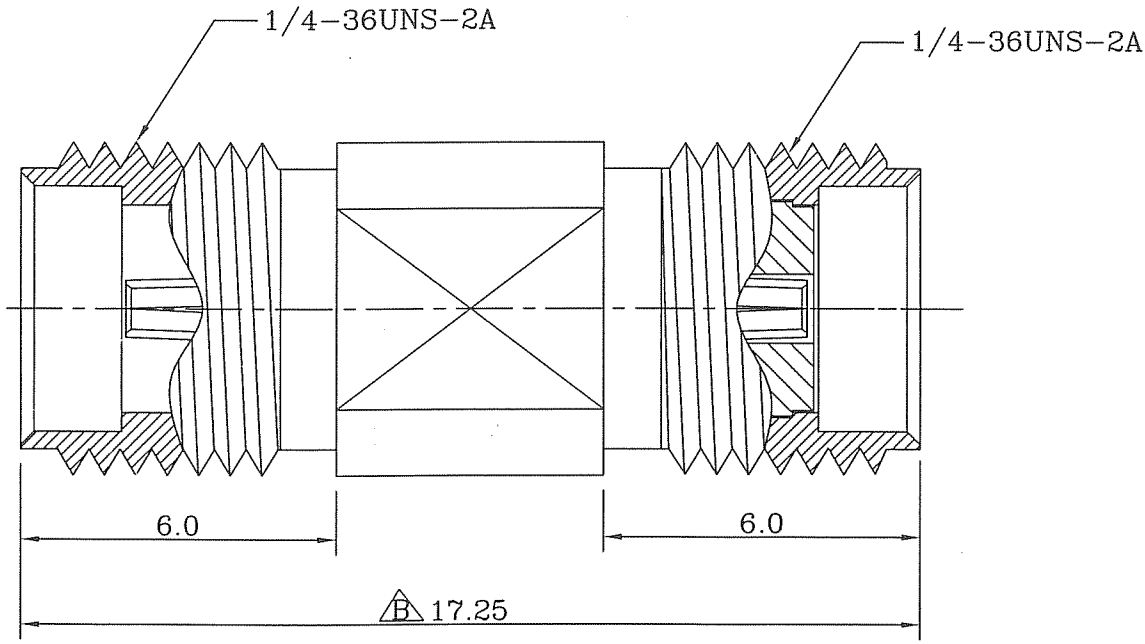


| REV. | DESCRIPTION         | DRAWN | ECN     | DATE       |
|------|---------------------|-------|---------|------------|
| B    | SEE ECN(3007-13239) | DORA  | 13-341  | 08-23'2013 |
| C    | SEE ECN(3007-14155) | Allen | 14-229  | 05-28'2014 |
| D    | SEE ECN             | Ward  | N17-097 | 11-07'2017 |



**ELECTRICAL PERFORMANCE:**

- 1.Impedance : 50 ohms
- 2.Frequency Range : DC~10GHz
- 3.Working Voltage : 335 Vrms MAX.  $\triangle$
- 4.Dielectric Withstanding Voltage : 1000 Vrms MAX.  $\triangle$   $\triangle$
- 5.Insulator Resistance:5000 Megohms MIN.
- 6.VSWR:1.2 MAX.  $\triangle$



| CONTACT     | BERYLLIUM COPPER | GOLD 20U" |
|-------------|------------------|-----------|
| INSULATOR   | TEFLON           | NATURAL   |
| BODY        | BRASS            | GOLD      |
| DESCRIPTION | MATERIALS        | FINISHED  |

**RoHS**  
COMPLIANT  
2011/65/EU

|  |                          |
|--|--------------------------|
| UNLESS OTHERWISE SPECIFIED ALL TOLERANCES ARE: |                          |
| DIMENSION                                      | ANGLE                    |
| INTEGRAL DIMENSIONS ±1.0                       | ANGULAR DIMENSIONS ±5.0° |
| 1 PLACE DECIMAL ±0.5                           | HOLES UNDER ø0.5 ±0.1    |
| 2 PLACE DECIMALS ±0.25                         | ROUGHNESS                |
|  | FINISH: SEE TABLE        |
|  | MATERIAL: SEE TABLE      |

**nicon** Precise Corp.

TITLE: SMA ADAPTOR JACK-JACK

Model NO: 61817

Drawing NO: 12-61817

|           |             |       |            |
|-----------|-------------|-------|------------|
| DRAWN BY: | TINA        | DATE: | 11-05'2010 |
| ENGR BY:  | <i>Wang</i> | DATE: | 11-09'2017 |
| APVD BY:  | <i>LS</i>   | DATE: | 11/9/2017  |

|        |     |       |    |      |   |                     |  |
|--------|-----|-------|----|------|---|---------------------|--|
| UNIT:  | MM  | SIZE: | A4 | REV. | D | CAD FILE :          |  |
| SCALE: | 7:1 | SHEET | 1  | OF   | 1 | NEW Dwg\61XXX\618XX |  |