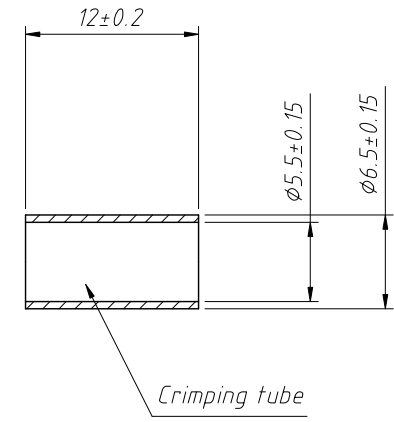
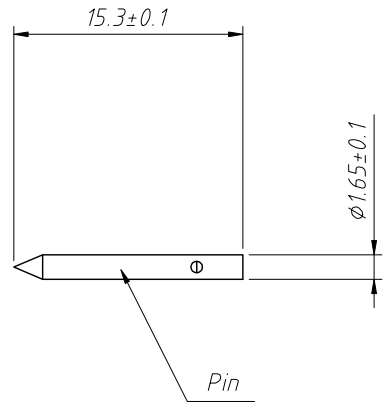
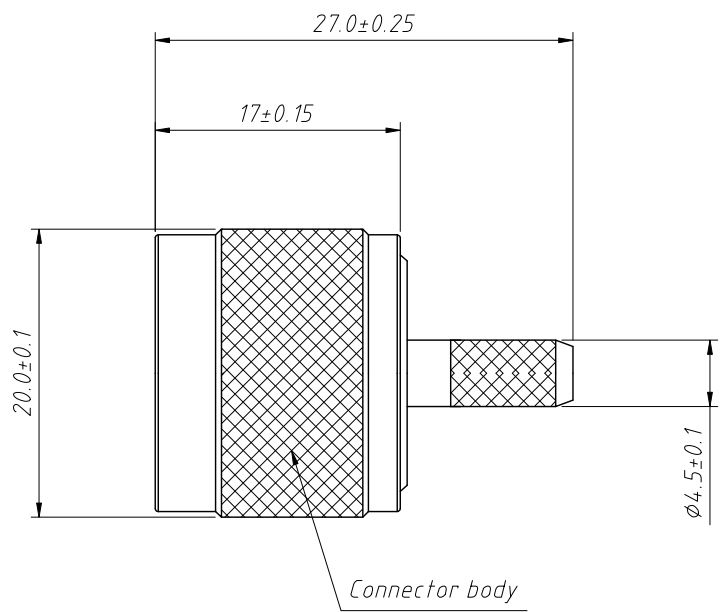
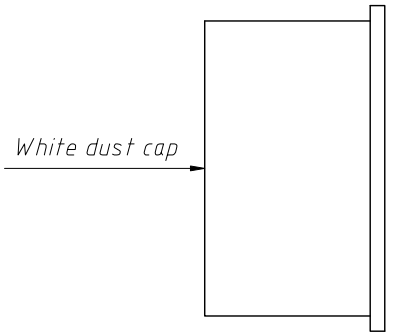


1
RoHS Compliance



Material:
 Contacts: Brass
 Shell, Screw sleeve, Pressure tail, Pressure pipe:
 Inner conductor gold-plated, Plating Thickness 0.03um
 Surface nickel plating, Plating Thickness 1.5-3um

Electrical Specifications
 Impedance: 50Ω
 Frequency Range: 0-3 GHz
 Durability: 500 Cycles
 Salt spray for 48 hours



Order Information:
 L-KLS1-N001-RG55
 L: RoHS
 N Type Connector Type
 Adapter cable: RG55

ANGLE TOLERANCE	PROJECTION	Description:	N Connectors	
±3°				
GENERAL TOLERANCE	UNITS	mm	KLS P/N:	L-KLS1-N001-RG55
x.x ±0.30	SHEET SIZE	A4		
x.xx ±0.20	Draw:	Daniel	2022-03-04	NingBo KLS ELECTRONIC CO.,L TD.
x.xxx ±0.10	Check:	Daniel	2022-03-04	