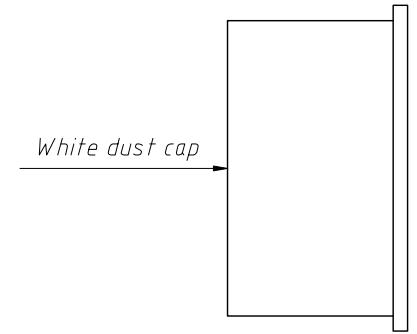
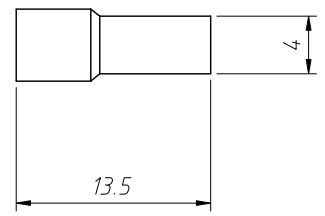
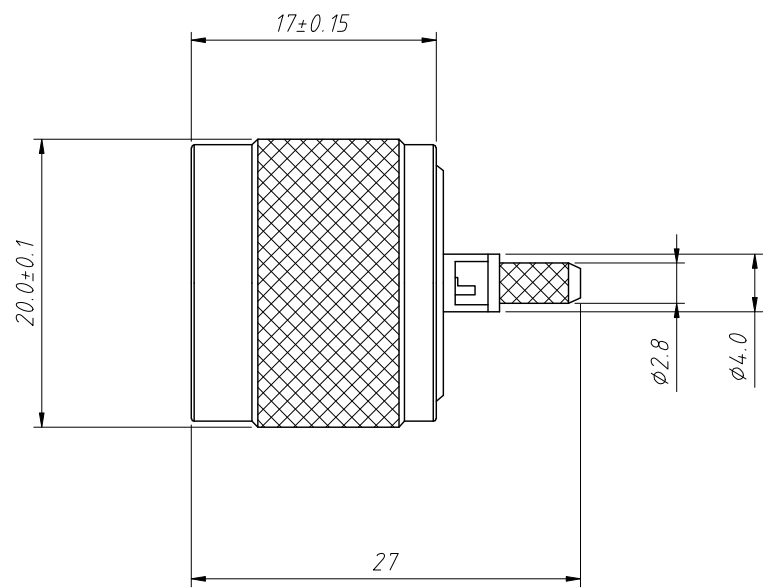


1
RoHS Compliance



Material:
 Contacts: Brass
 Shell screw sleeve, Pressure tail Surface Nickel plating
 Inner conductor Gold plating

Electrical Specifications
 Impedance: 50Ω
 Insulation resistance: 4000MΩ Min
 Frequency Range: 0-3 GHz
 VSWR: 1.5
 Dielectric Withstanding Voltage: 2500 volts rms
 Durability: 500 Cycles

Order Information:
 L-KLS1-N001-LMR100
 L: RoHS
 N Type Connector Type
 Adapter cable: LMR100

ANGLE TOLERANCE	PROJECTION	Description:	N Connectors	
±3°				
GENERAL TOLERANCE	UNITS	mm	KLS P/N:	L-KLS1-N001-LMR100
x.x ±0.30	SHEET SIZE	A4		
x.xx ±0.20	Draw:	Daniel	2022-03-04	
x.xxx ±0.10	Check:	Daniel	2022-03-04	

NingBo KLS ELECTRONIC CO.,LTD.